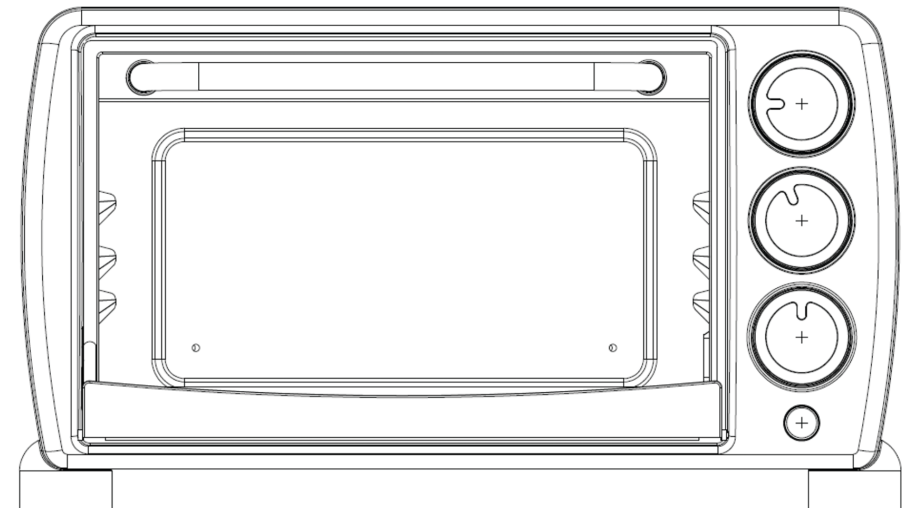


8. Use of accessory attachments not recommended by the appliance manufacturer may cause injuries. Do not use the electric oven if cable or plug are damaged. Do not use appliance for anything other than intended use.
9. Do not clean the inside of the oven with metal scouring pads, pieces can break off the pad and touch electrical parts, creating risk of electric shock.
10. If the supply cord is damaged, it must be replaced by the manufacturer, its service agent or similarly qualified persons in order to avoid a hazard.
11. Oversized foods or metal utensils must not be inserted as they may create fire or electric risk.
12. Always attach plug to appliance first, then plug cord in the wall outlet.
13. Extreme caution must be used when removing the tray, racks or disposing of hot grease or other hot liquids.
14. Do not place near a hot gas or electric burner.
15. Keep at least 4 inches of free space on all sides of oven to allow for adequate air circulation. Do not cover the oven or allow to touch flammable material. Do not store items on top of the appliance.
16. Do not cover crumb tray or any part of the oven with metal foil. This may cause the oven to overheat.
17. Do not allow anything to touch the top and bottom elements of the oven.
18. This appliance has a tempered safety glass door. Avoid scratching the door surface or edges.
19. Do not use this item outdoors.

**WARRANTY:** To validate the warranty on this product. Please visit our website and click on the warranty button and enter your details [www.streetwizeaccessories.com](http://www.streetwizeaccessories.com)

# Low Wattage Compact 12L Electric Oven/Grill



**WARNING**

Before using your toaster oven with rotisserie and convection for the first time, be sure to read all of the instruction included in this manual. Ensure the oven is unplugged and the time control is in the 'OFF' position. Wash all the accessories in hot, soapy water or in the dishwasher. Thoroughly dry all accessories and re-assemble in oven, plug oven into outlet and you are ready to use your new toaster oven. After re-assembling your oven, we recommend that you run it at the highest temperature (230°C) on the toast function for approximately 15 minutes to eliminate any packing residue that may remain after shipping. This will also remove all traces of odour initially present.

**Please note:** Initial start-up operation may result in minimal smell and smoke (about 15 minutes). This is normal and harmless. It is due to the burning process of the protective substance applied to the heating elements in the factory.

**WARNING: TO AVOID RISK OF INJURY OR BURNS, DO NOT TOUCH HOT SURFACES WHEN OVEN IS IN USE. ALWAYS USE OVEN GLOVES. CAUTION: ALWAYS USE EXTREME CARE WHEN REMOVING BAKING TRAY WIRE RACK OR HOT DISHES FROM THE OVEN.**

**PLEASE READ AND KEEP THESE INSTRUCTIONS BEFORE OPERATING THIS ELECTRIC OVEN.**



**Streetwize Accessories:**

Unit 1, Royce Trading Estate, Ashburton Road West,  
Trafford Park, Manchester M17 1RY

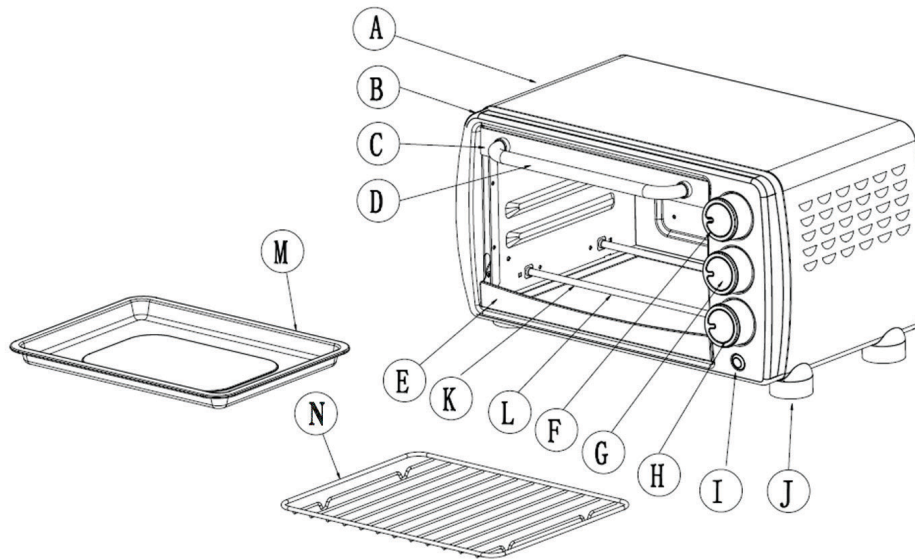
**Sales enquiries:** [sales@streetwizeaccessories.com](mailto:sales@streetwizeaccessories.com)

**Technical enquiries:** [support@streetwizeaccessories.com](mailto:support@streetwizeaccessories.com)

+44 (0)161 447 8597

[www.streetwizeaccessories.com](http://www.streetwizeaccessories.com)

## PRODUCT PARTS & DESCRIPTION:



- |                        |                          |
|------------------------|--------------------------|
| A. Housing             | H. Timer control         |
| B. Front plate         | I. Indicator light cover |
| C. Upper door frame    | J. Feet                  |
| D. Handle              | K. Lower heating element |
| E. Lower door frame    | L. Glass door            |
| F. Temperature control | M. Baking tray           |
| G. Function control    | N. Wire rack             |

### ROASTING IN YOUR OVEN:

Roast your favourite cut of meat to perfection. The oven can cook up to an 8lb chicken or turkey and up to a 6lb roast. A guide has been provided to assist you with roasting times. However, we suggest that you periodically check the cooking process with a meat thermometer. For the best results we recommend that you preheat the oven for 15 minutes on 230°C. We do not recommend the use of oven roasting bags or glass containers in the oven. Never use plastic, cardboard, paper or anything similar that may catch fire in the oven.

### OPERATION:

1. Place the wire rack in the oven at the lowest position
2. Place food to be cooked in any roasting pan. If you wish to use the baking tray, you do not need to insert the wire rack because the baking tray supports itself on the oven support guides.
3. Set the temperature control knob to the desired temperature.
4. Turn the time control to the 'ON' position.
5. To check or remove roast, use the tray handle provided to help your slide the roast in and out.
6. When cooking is complete, turn the time control knob to the 'OFF' position.

MEAT	TEMPERATURE	TIME
Roast beef	180°C	25-30min
Roast Pork	180°C	40-45min
Ham	180°C	35-40min
Chicken	180°C	20-25min
Turkey	180°C	20-25min

**NOTE:** All roasting times are based on meats at refrigerator temperature, frozen meats may take longer therefore a meat thermometer is highly recommended.

### CARE & CLEANING

**WARNING: BE SURE TO UNPLUG THE OVEN AND ALLOW TO COOL BEFORE CLEANING.**

Your oven features a continuous clean coating that automatically cleans itself during normal operation. Any spattering that occurs while cooking that comes into contact with the coating is oxidised while the oven is normal operation. If desired, wipe the walls with a damp sponge, cloth or nylon scouring pad and mild detergent.

**DO NOT USE STEEL WOOL SCOURING PADS, ABRASIVE CLEANERS OR SCRAPE THE WALLS WITH METAL UTENSILS. DO NOT USE AN ABRASIVE CLEANER ON THE OUTSIDE AS THIS MAY DAMAGE THE EXTERIOR FINISH. DO NOT USE AN ABRASIVE CLEANER OR STEEL WOOL SCOURING PAD ON THE DRIP PAN AS IT MAY DAMAGE THE PORCELAIN ENAMEL FINISH. ALL OF THESE METHODS MAY DAMAGE THE CONTINUOUS CLEAN COATING. LET ALL PARTS AND SURFACES DRY THOROUGHLY PRIOR TO PLUGGING IN THE OVEN AND USING.**

All accessories should be washed in hot soapy water or can be cleaned in a dishwasher. The door can be wiped with a damp sponge and wiped dry with a paper towel or cloth. Clean the outside of the oven with a damp sponge.

### IMPORTANT:

When using electrical appliances, basic safety precautions should always be followed:

1. Read and keep all instructions.
2. Do not touch the hot surfaces, use handles and gloves as advised as always.
3. To protect against electric shock do not immerse cord, plug or temperature regulator in water or other liquid.
4. **WARNING:** This electrical appliance contains a heating function. Surfaces, also different than the functional surfaces, can develop high temperatures. Since temperatures are differently perceived by different persons, this equipment shall be used with CAUTION. The equipment shall be touch only at intended handles and gripping surfaces, and use heat protection like gloves or similar. Surfaces other than intended gripping surfaces shall get sufficiently time to the cool down before getting touched.
5. Unplug when not in use and before cleaning. Allow to cool before adding or removing parts.
6. Keep the appliance and its cord out of reach of children.
7. This appliance can be used by persons with reduced physical, sensory or mental capabilities or lack of experience and knowledge if they have been given supervision or instruction concerning use of the appliance in a safe way and understand the hazards involved. Children shall not play with the appliance.