

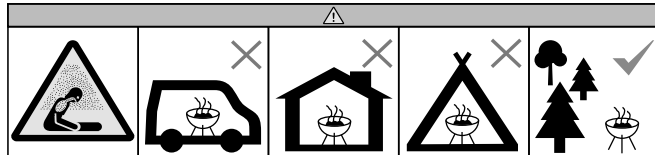


LW602

WARRANTY

To validate the warranty on this product. Please visit our website and click on the warranty button and enter your details www.streetwizeaccessories.com

Yoga Grill



M17 1RY

Streetwize Accessories:

Unit 1, Royce Trading Estate, Ashburton Road West,
Trafford Park, Manchester M17 1RY

Sales enquiries: sales@streetwizeaccessories.com

Technical enquiries: support@streetwizeaccessories.com

Telephone: +44 (0)161 447 8597

www.streetwizeaccessories.com

PLEASE READ THESE INSTRUCTIONS BEFORE OPERATING THIS SMOKELESS, PORTABLE, CHARCOAL BBQ GRILL AND KEEP FOR FUTURE USE. THIS PRODUCT CAN ONLY BE USED OUTDOORS IN A WELL VENTILATED ENVIRONMENT. NEVER USE IT INDOORS AS BURNING CHARCOAL WILL CAUSE CARBON MONOXIDE POISONING.

PRODUCT SPECIFICATION

1. Easy and fast start with smart turbo fan structure.
2. Stainless steel grill rack for healthy bbq.
3. Unique charcoal box design avoid fats/seasons dripping into charcoal and will not make smoke.
4. Portable design for relocation and storage.
5. East to clean parts.
6. Battery powered or USB power socket if batteries are low or out of power.

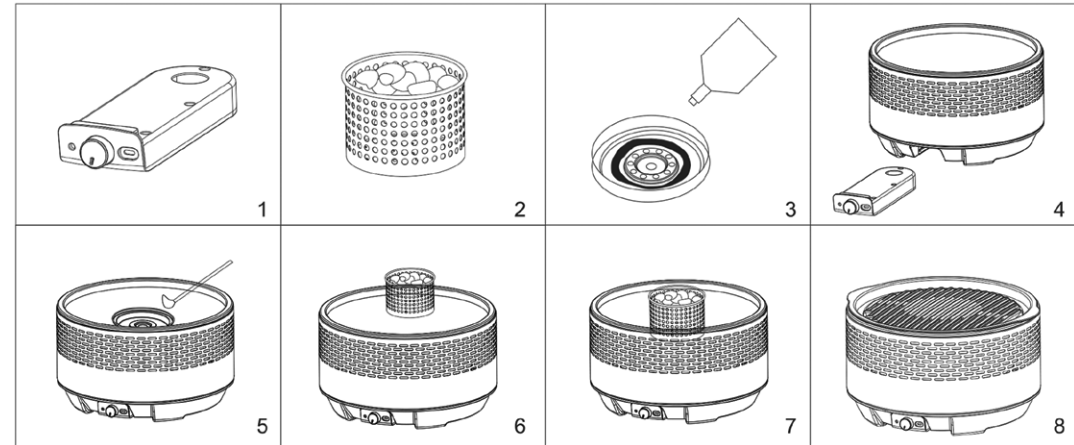
PRODUCT DESCRIPTION



CAUTION

1. DO NOT use the product indoors.
2. Take care of children and pets during bbq, this item is NOT a toy.
3. DO NOT block the air vent in the main body.
4. Keep the product on a flat surface during bbq.
5. DO NOT touch the grill rack during bbq.

HOW TO USE THE GRILL



1. Insert 4 x AA batteries inside the fan box.
2. Fill the charcoal box with enough charcoal.
3. Put fire gel on the ignition plate in a circle. **NOTE: DO NOT use too much fire gel.**
4. Put the fan box into the main body.
5. Light the fire gel.
6. Put the charcoal box over the ignition plate.
7. Turn on the knob of fan box to maximum level.
8. Put the grill rack on top.