



Cargo Roof Tray

Thank you for purchasing this Cargo Roof Tray from Streetwize. This product is intended for use as an additional storage option for vehicles. It is ideal for oversized items or items that are awkwardly shaped. This Cargo Roof Tray is suitable for family weekend getaways, road trips, staycations and off road adventures.

Please Note: This Cargo Roof Tray is designed to fit onto the roof bars (not included). Please ensure your vehicle is fitted with suitable roof bars. There should be a minimum of 700mm between each roof bar. Also, please check the maximum load capacity of your vehicle.

Important: To ensure safe and secure fit of the roof cargo tray to your vehicle's roof bars, the roof bars should have a max width of 93mm, and max height of 33mm.

Before using this product, please read through all the information and health & safety guidance in this document.

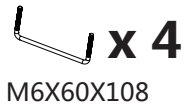
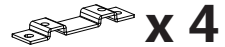
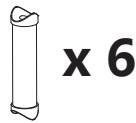
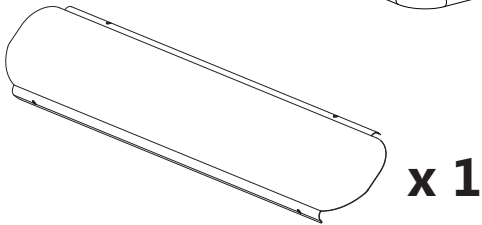
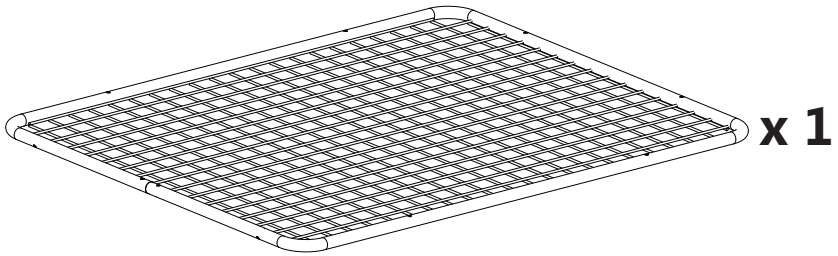
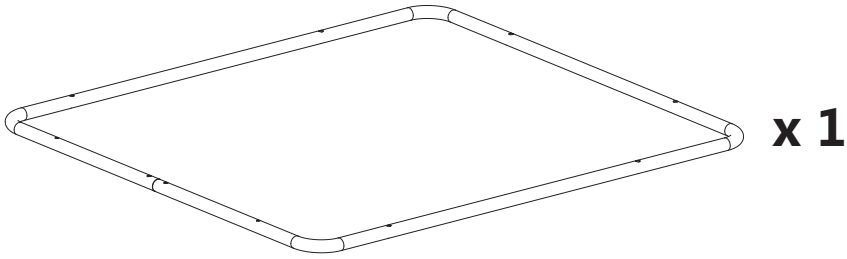


SWCRT

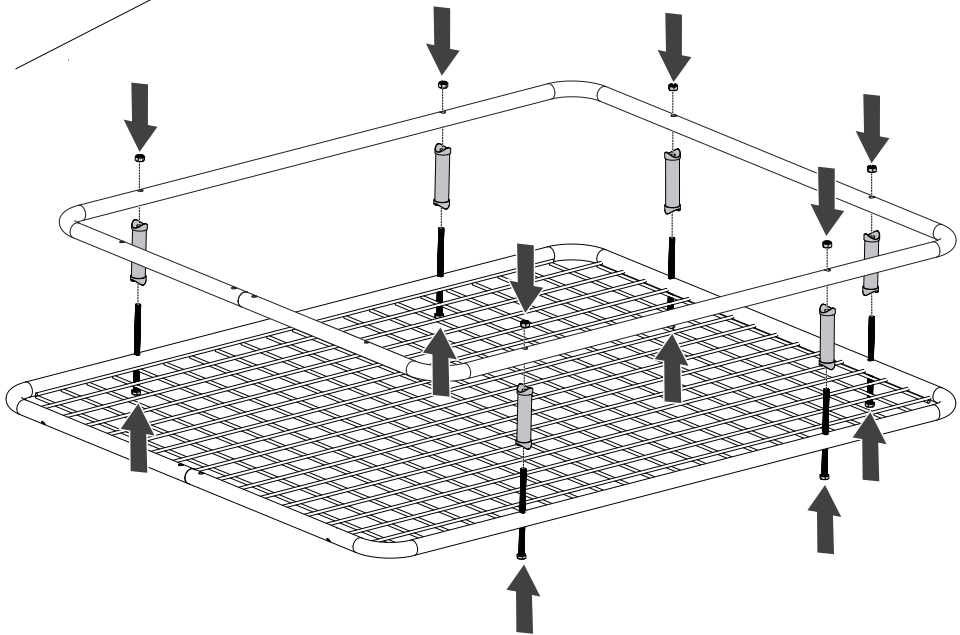
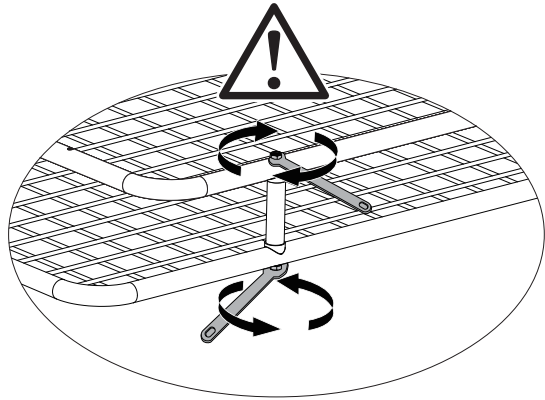
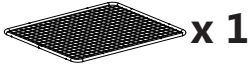
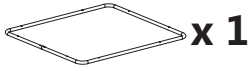
Contents

<i>Elements For Assembling Roof Tray</i>	3
<i>Roof Tray Assembly Instructions</i>	4-5
<i>Attaching The Roof Tray To Your Vehicle's Roof Bar</i>	6
<i>Health & Safety Guidelines/Technical Specifications</i>	7

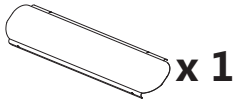
Elements For Assembling Roof Tray



Roof Tray Assembly Instructions



Roof Tray Assembly Instructions - continued



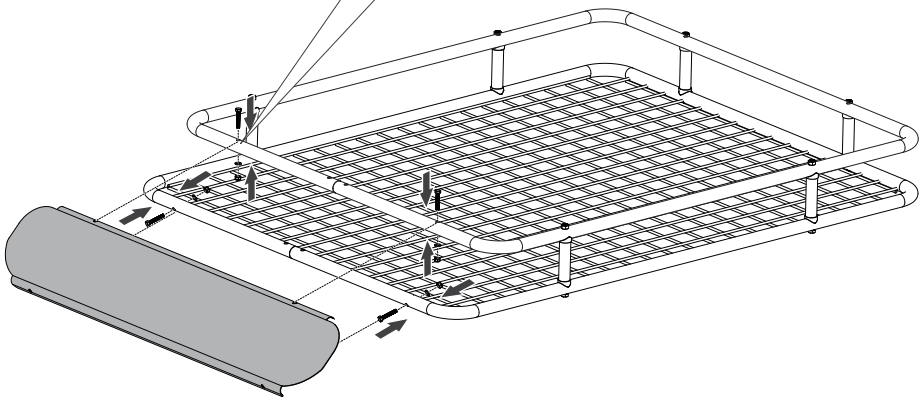
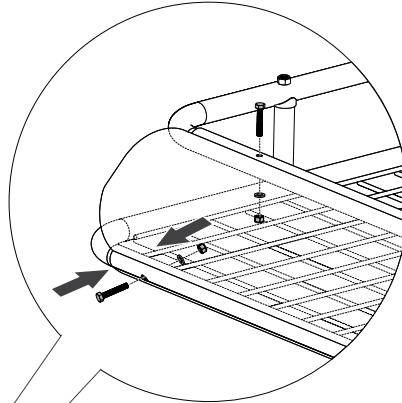
M6X35



M6

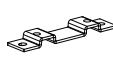


Φ6x12x2



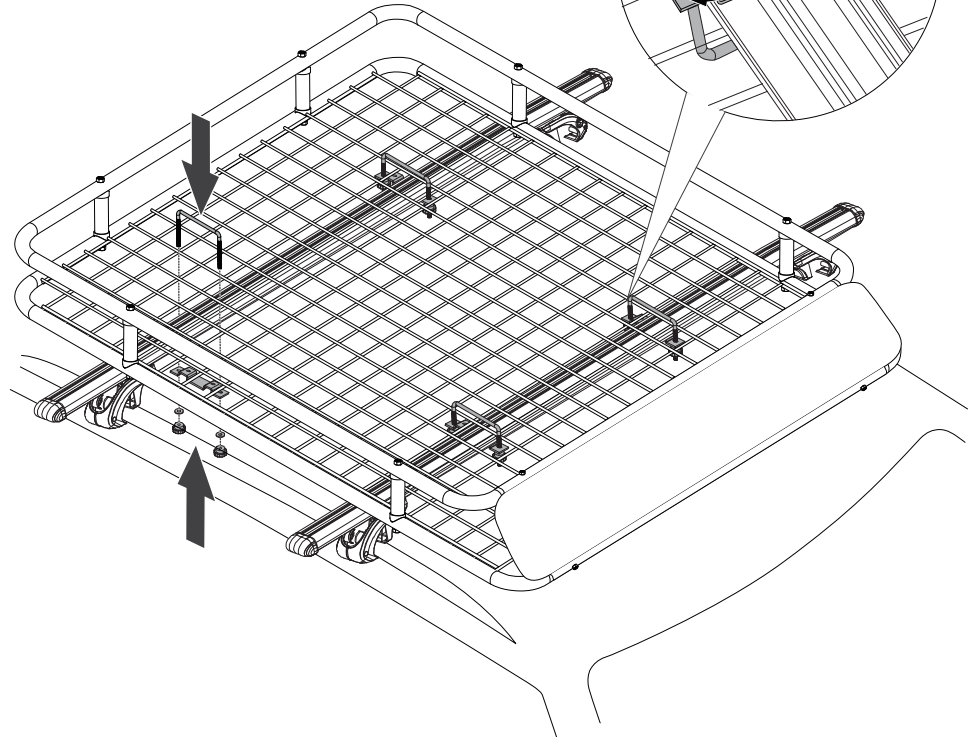
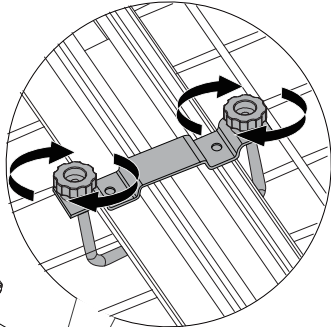
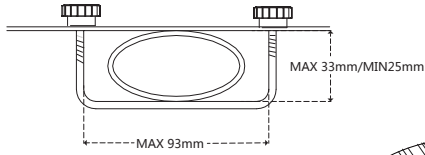
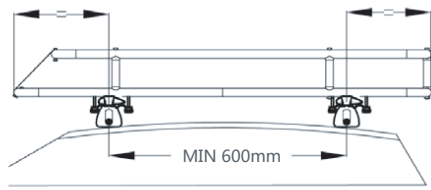
Attaching The Roof Tray To Your Vehicle's Roof Bar

 x 4
M6X60X108

 x 4

 x 8

 x 8
Φ6x16x1.5



Health & Safety Guidelines

- When placing load onto the roof tray, ensure the load is evenly distributed. Never place all the load onto one side of the tray.
- Use suitable luggage straps or luggage ties to secure the load in place inside the tray.
- Do not exceed the maximum load capacity of 65kg.
- Never stand on the roof tray.
- Do not place the roof tray on top of your vehicle without the roof bars fitted. Risk of damage/scratch to your vehicle.
- Never exceed the maximum speed of 110mph with load in the roof tray.
- Ensure there is a gap of atleast 700mm between each of the roof bars.
- When lifting or removing the roof tray, ensure two people are involved.

Spare Parts

If you require any technical support or spare parts for your product within the warranty period, please contact us on support@streetwizeaccessories.com and provide the product name and supplier code (see Technical Specifications) along with the technical query and proof of purchase.

Technical Specifications

Product Name	Streetwize Cargo Roof Tray
Supplier Code	SWCRT
Maximum Load	65Kg
Dimensions	120cm x 97cm x 13.5cm
Material	Heavy Duty Steel

Streetwize: Ashburton Road West, Trafford Park, Manchester M17 1RY

For Product Support:

E: support@streetwizeaccessories.com

T: +44 (0)161 447 8597

For Trade Enquiries:

E: sales@streetwizeaccessories.com

T: +44 (0)161 447 8580

www.streetwizeaccessories.com



EU Registered Address: Ace Supply Co
(Europe) Ltd, 25 Herbert Place, Dublin 2,
D02 A098 Republic of Ireland.