



IMPORTANT INFORMATION:

CAUTION

- After an initial short journey **IT IS ESSENTIAL** that a check **MUST** be made to ensure that all fittings are tightened and secured. The roof bars should then be inspected at regular intervals to ensure load safety at all times.
- When the Roof Bars are in use, the vehicle's stability may be affected. Special care **MUST** be taken when driving in strong winds and when approaching bends or other road hazards. Also, please refrain from accelerating and breaking sharply.
- The Roof Bars can be cut down to size to fit the width of your vehicle if necessary.

ALWAYS REMOVE THE ROOF BARS IF YOU INTEND TO USE A DRIVE THROUGH CAR WASH!

WARNING:

MAXIMUM LOAD FOR THE ROOF BARS COMBINED IS 60KG, DO NOT EXCEED THIS LIMIT! It is **ESSENTIAL** that this weight is distributed evenly over both bars. Please refer to the vehicle operation manual for any special requirements for using roof bars. Use an adequate number of quality tie down straps to secure your load (elasticated ropes should be avoided). In case of long loads with non-elastic rope to the vehicles bumpers, do not exceed 55mph.

PLEASE LOOK AFTER YOUR TWO KEYS AS SPARE KEYS ARE NOT AVAILABLE.

Streetwize Accessories:

Unit 1, Royce Trading Estate, Ashburton Road West,
Trafford Park, Manchester M17 1RY

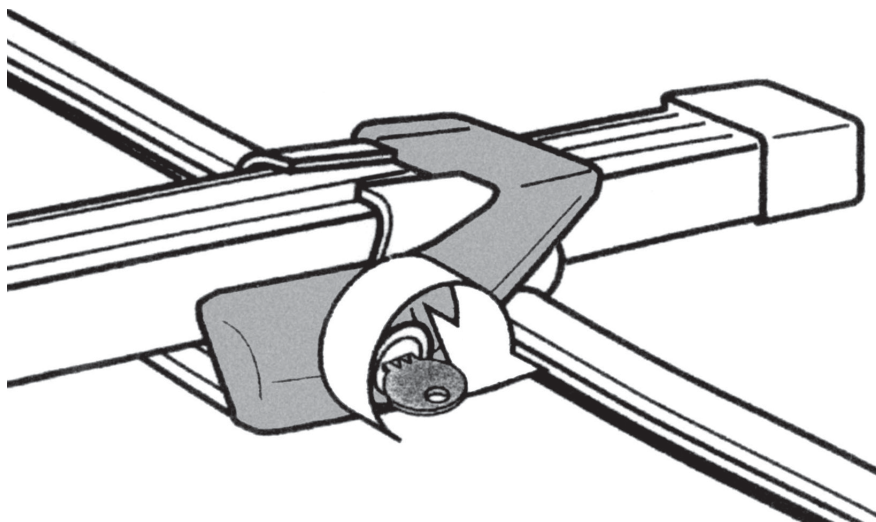
Sales enquiries: sales@streetwizeaccessories.com

Technical enquiries: support@streetwizeaccessories.com
www.streetwizeaccessories.com



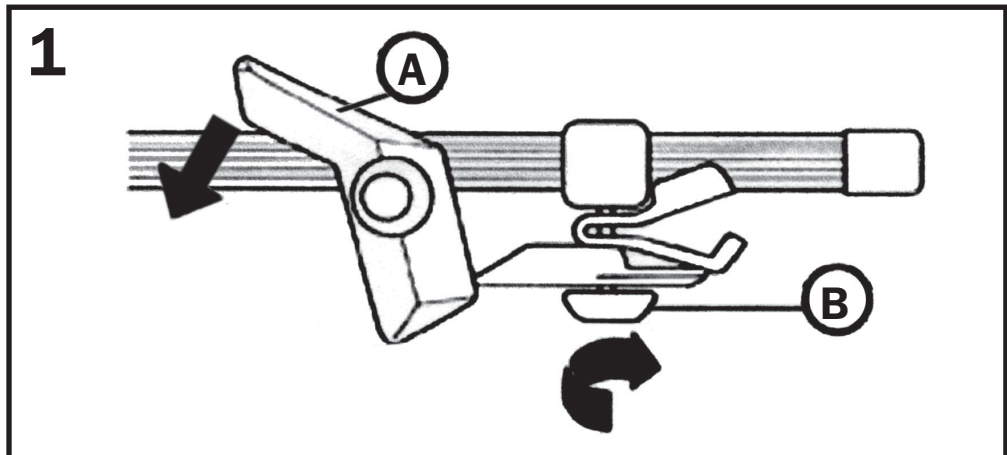
SWRB3

Anti-Theft Lockable **Universal Roof Bars**

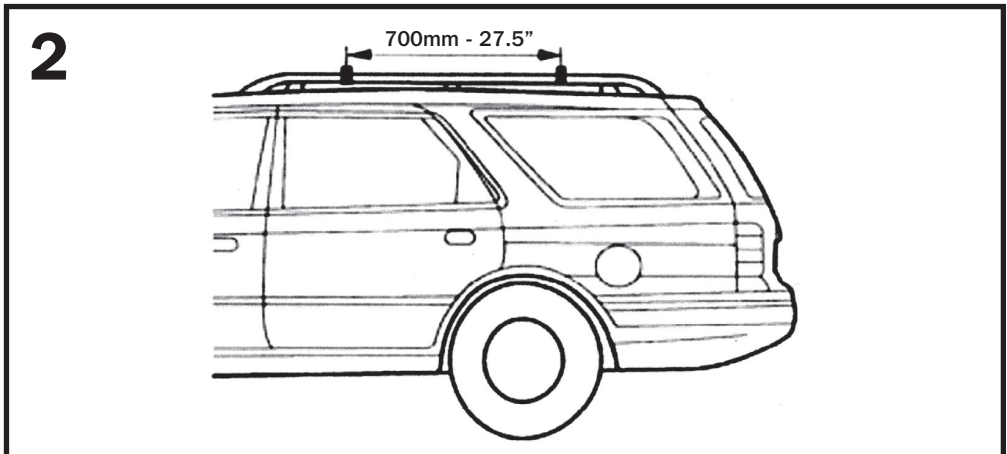


FITTING INSTRUCTIONS

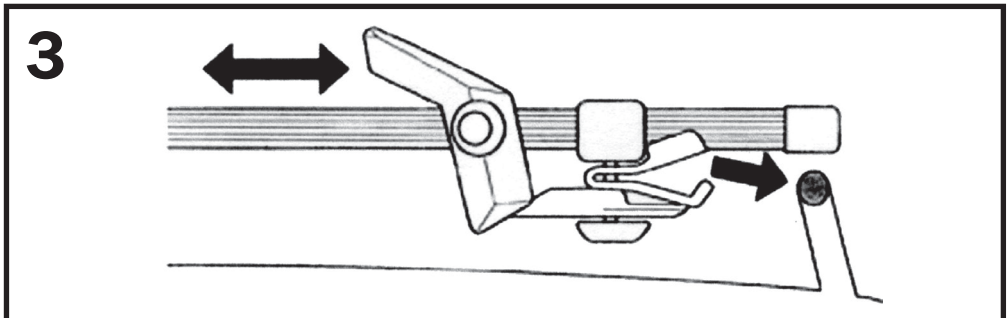
Read and following the assembly and mounting instructions carefully before using Universal Roof Bars.



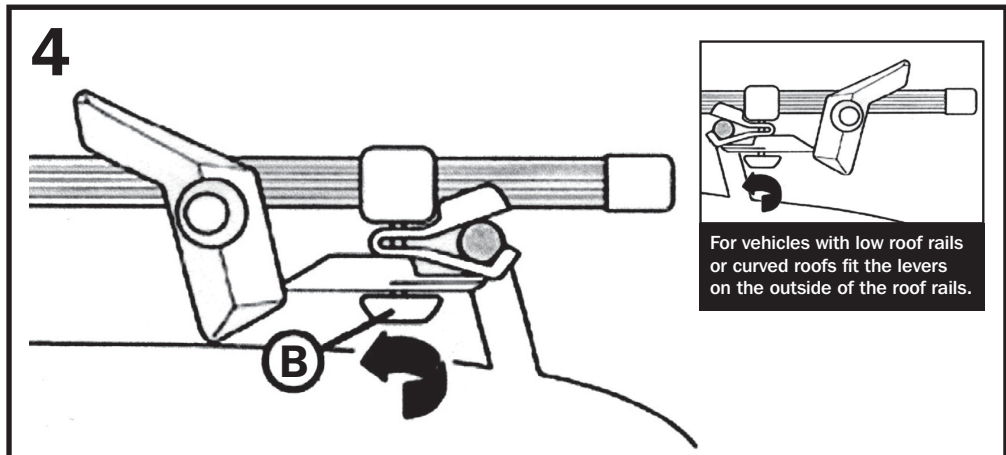
1. Open clamp lever A and loosen adjustment knob B.



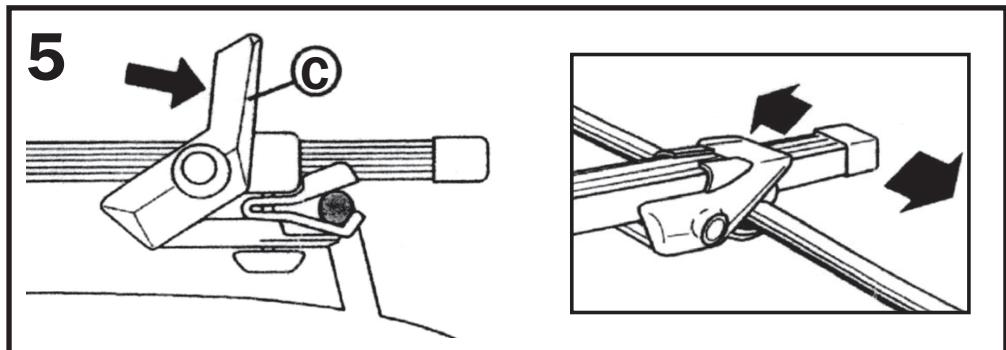
2. Position bars on the roof as illustrated.



3. Slide clamp over roof rails.



4. Tighten adjustment knob B securely onto roof rail.



5. Close clamp lever C; the lever should be flush with the top of the load bar when closed. Check roof bar tightness by firmly pushing/pulling on end of roof bar. It should not slip. If necessary repeat step 4 in order to achieve sufficient tightness.



Push to lock

Locked

Turn key to unlock

6. Follow steps above to lock & unlock.