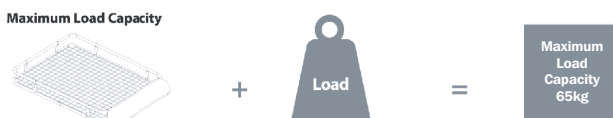
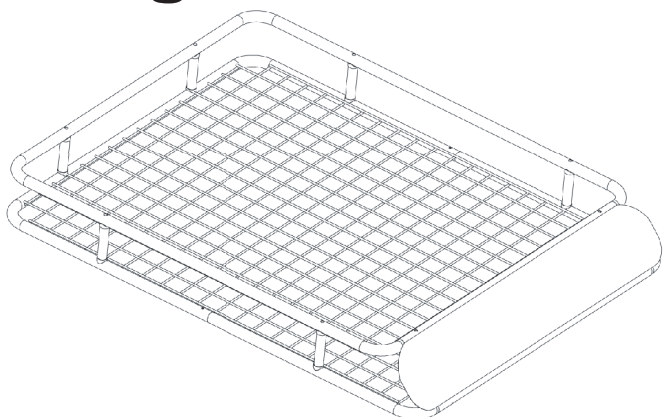




Fitting Guide



- Do not exceed maximum load capacity of 65kg
- When loading do not stand on the roof tray
- The load must be evenly distributed with the lowest possible center of gravity
- Do not exceed maximum speed of 110 mph with load applied to the roof tray

GENERAL INFORMATION

The 4 x 4 TOUGH roof tray is a steel wire mesh basket offering additional storage when you run out of boot space. Great for oversized and awkwardly shaped items that can be used for weekend trips away and off road adventures. Carefully read and understand all safety information, warnings and cautions before using the roof tray. This users guide is part of the roof tray. It contains important information relating to the product and should be stored in a safe place.

SPECIFICATIONS

Width:	97cm
Length:	120cm
Height:	13.5cm
Weight:	12 Kg
Material:	Heavy Duty Steel
Max Load:	65 Kg

Accessories to assemble Roof Tray

No	Diagram	Description
11		Washer (M6)
12		U Bolt
13		Securing Nut
14		Securing Plate



Accessories to attach to your roof rack

No	Diagram	Description
1		Main Frame of Roof Basket 1
2		Main Frame of Roof Basket 2
3		Metal Plate for Front of Roof Tray
4		Half Saddle Washer
5		Metal Spacer Tube
6		Lock Nut (M8)
7		Screw (M8)
8		Screw (M6)
9		Lock Nut (M6)
10		Washer (M6)

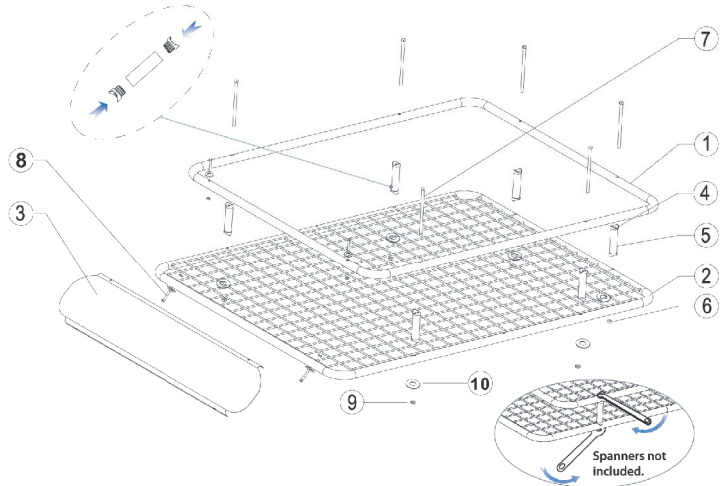


ROOF TRAY ASSEMBLY

PART 1

Assembling your roof tray

- Lay out all parts and check against the parts component list before commencing assembly.
 - Position parts as per diagram below.
 - Join all the half saddle washer to the metal spacer tube (reference parts list #5) as illustrated.
1. Assemble one half saddle washer (4) at each end of a metal spacer tube (5). Repeat for all 6 metal spacer tubes.
 2. Insert screw (7) through each pre-drilled hole in the top of the main frame of roof basket (1), then through each assembled metal spacer tube (5), then through the hole in the main frame of roof tray (2).
 3. Affix washer (10) and lock nut (9) to bottom of screw (7).
 4. Tighten at each end using hex spanner (not included).
 5. Repeat for remaining 5 points.

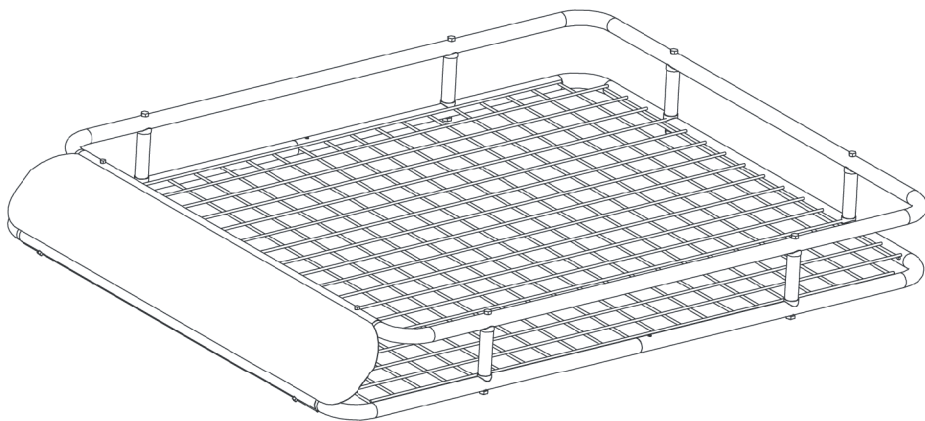
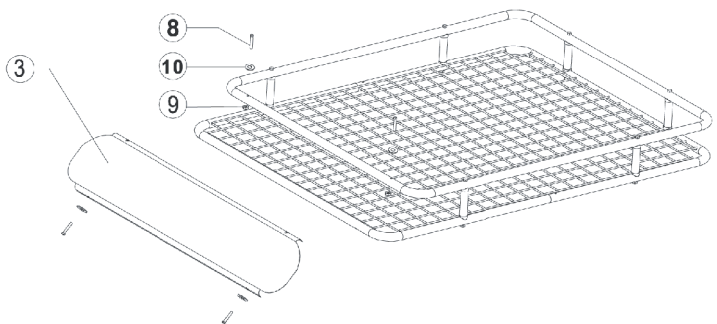


ROOF TRAY ASSEMBLY

PART 2

Attaching the metal plate to your assembled roof tray

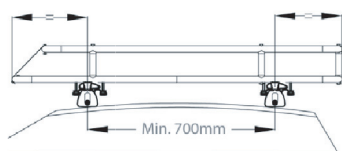
1. Place metal plate (3) on top bar and align holes in plate and tube.
2. Feed screw (8) through metal plate (3) and hole in roof tray upper frame and secure with fastening with washer (10) and nut (9). Repeat for 3 other points.



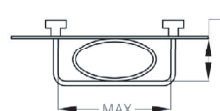
ATTACHMENT TO VEHICLES ROOF RACKS

Affixing the completed roof tray assembly to your vehicles roof racks.

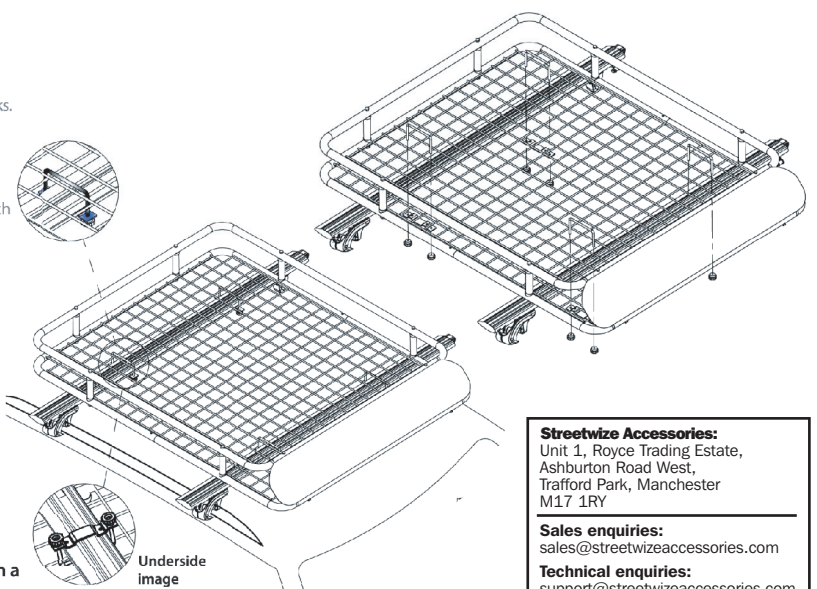
- Lift to place on vehicle roof using two people (recommended) and use U bolt (12) to affix to roof racks.
- It is recommended to protect the vehicle roof with a sheet or blanket to reduce chance of scratching when using tools to secure the roof tray to the roof racks.
- Place U bolts (12) through wire mesh from the upper side of roof tray. Whilst holding place securing plate (14) to the underside of roof rack and fasten the U bolt to the securing plate with the securing nuts (13).
- Repeat the above step for the three remaining affixing points.



The distance between the two roof racks must be 700mm.



NOTE: The U bolts supplied are suitable for roof racks with a
 - Maximum width of 93mm
 - Maximum height of 33mm



Streetwize Accessories:
 Unit 1, Royce Trading Estate,
 Ashburton Road West,
 Trafford Park, Manchester
 M17 1RY

Sales enquiries:
sales@streetwizeaccessories.com
Technical enquiries:
support@streetwizeaccessories.com
 Telephone: 0161 447 8597
www.streetwizeaccessories.com