



SWAC12

12V Air Compressor

Operating instructions

The 12V Air Compressor has been engineered to service even the largest tyres used on trucks, vans, 4X4's etc., but will equally as well on passenger cars.

Please read the entire instruction manual before use and retain for future reference.

IMPORTANT Your battery may not be at full strength. It is essential therefore that you keep your engine running when operating the compressor. This will also shorten inflation time. Do not do this in a closed garage due to the fumes circulating in a confined space.

1. Safety - Warning! Never leave the compressor unattended whilst it is in operation.

The compressor is not to be used for long period otherwise it may overheat. Using the compressor for several minutes at a time should assist in tyre inflation. If a prolonged period is required then switch off the compressor and allow to cool for at least 10 minutes then resume. For higher pressures (pressure over 5 bar), let the compressor rest after 7 minutes of continuous use. **If the compressor overheats, switch it off and let it stand for at least 10 minutes or until cool, if longer, before you start it again.**

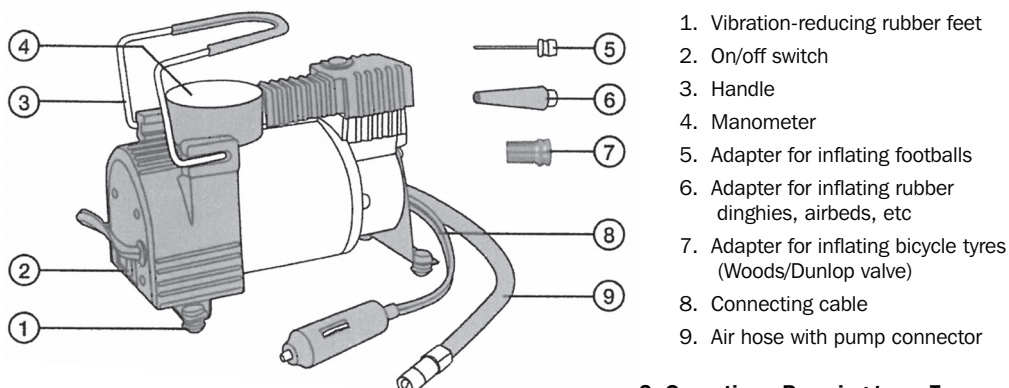
Tyres are marked with their maximum pressure in psi or bar – always refer to the manufacturers guide on tyre pressure, never exceed the stated psi/bar

NOTE: The tyre will not expand at the same rate during the final phase of inflation as it does at the beginning of this process. This is due to the fact that air flow into the tyre from compressor decreases as the required tyre pressure is reached. Check with tyre pressure gauge for proper inflation.

INFLATION TIME Inflation time will vary depending on the article inflated and the pressure required.

2. Description of the components

12V air compressor with pressure gauge and cigar lighter plug. Includes a nozzle for inflating rubber dinghies or airbeds (6), a nozzle for bicycle valves (7) and a nozzle for football valves (5).



1. Vibration-reducing rubber feet
2. On/off switch
3. Handle
4. Manometer
5. Adapter for inflating footballs
6. Adapter for inflating rubber dinghies, airbeds, etc
7. Adapter for inflating bicycle tyres (Woods/Dunlop valve)
8. Connecting cable
9. Air hose with pump connector

3. Operation - Pumping tyres To

Inflate Tyres

- Insert the 12V plug into your 12V power socket.
- Push the pump connector onto the tyre valve and screw it on.
- Inflate the tyre to the recommended pressure (refer to the cars handbook or marking on the tyre itself).
- When completed unscrew the pump connector and unplug the compressor from the 12V power socket.



Car tyres should normally be inflated to pressures ranging from 1.65 bar (24 psi) to 2.2 bar (32 psi). Tyres for large vehicles might need a pressure up to 2.75 bar (40 psi). Tyres are marked with their maximum pressure in psi or bar.

To Inflate Bicycle Tyres

- The bicycle adapter should be used for inflating bicycle tyres, follow the instructions above.

Inflating Other Items e.g. inflatable toys, etc.

- Choose a suitable adapter nozzle or pump needle and insert it into the valve of the object which you want to inflate.
- Insert the 12V plug into your 12V power socket to start the pump.
- Unplug the 12V power plug when the desired pressure has been reached.

NOTE! Toys and air mattresses can burst if you over-inflate them! Keep an eye on the pressure continuously. Never pump to a higher pressure than the one which is recommended.

4. Disposal - Follow local guidance when disposing of this product. If you are unsure how to proceed, contact your local authority.

5. Specifications

Power supply -	DC 12V, (centre positive)
Air Flow Rate -	36L/Min
Current draw -	Approx 10A at 6 bar
Max pressure -	10 bar (150 psi)
Length of lead -	3m
Air hose length -	1m
Free air delivery -	35 Vmin

CAUTION:

1. Do not inflate items beyond their needs. To avoid over-inflation carefully follow instructions on articles to be inflated. Do not exceed recommended pressures. Use the pressure gauge to check for the correct pressure.
2. Bicycle tyres and other small articles will inflate relatively quickly. Be particularly careful not to over inflate.
3. Recreational items such as beach toys and air mattresses require low pressure. Inflate until firm.

INSTRUCTIONS IF COMPRESSOR FAILS TO START

Note: If the 12V power socket doesn't work from its socket, your compressor won't work from it either. If your compressor does not start, check the following

1. Foreign matter may be lodged in 12V power socket well. Scrape it off carefully with a piece of wood. Insert plug once more and turn several times to make good contact.
2. 12V power socket fuse may be worn or weak. If so replace with a new 15 amp fuse.
3. Some 12V power sockets have a circuit breaker located directly behind 12V power sockets. It may have blown and should be replaced.

Streetwize Accessories:

Unit 1, Royce Trading Estate, Ashburton Road West,
Trafford Park, Manchester M17 1RY

Sales enquiries: sales@streetwizeaccessories.com

Technical enquiries: support@streetwizeaccessories.com
www.streetwizeaccessories.com

