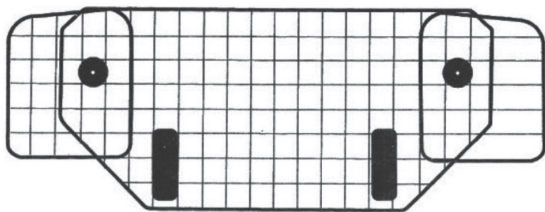




Universal Black Mesh Dog Guard

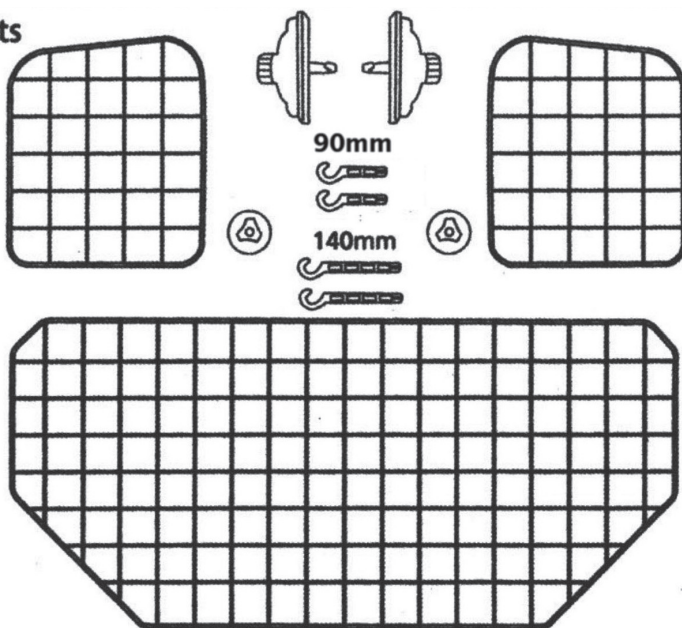
Fitting Instructions



Please follow these instructions carefully to ensure the safety of yourself & your passengers. The initial assembly and fitting of this Dog Guard will take approximately 10 minutes.

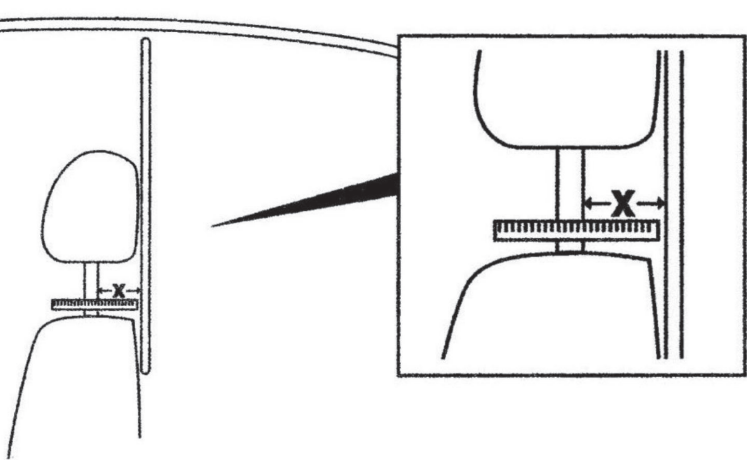
Before you begin:
Make sure all parts are included in the package. Please retain these instructions for future reference.

Contents







1

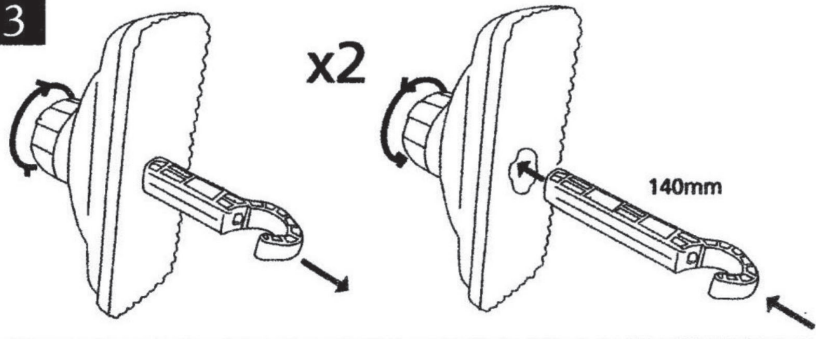


2

$x = 0 - 45\text{mm} \rightarrow$  90mm

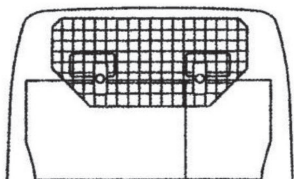
$x = 45+\text{mm} \rightarrow$  140mm

3

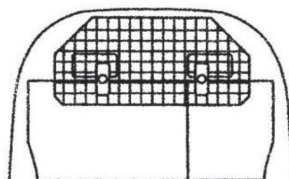




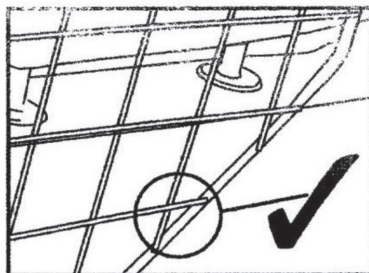
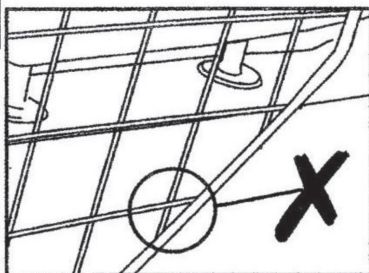
4



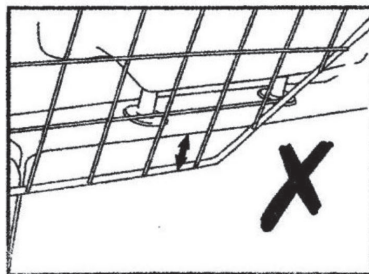
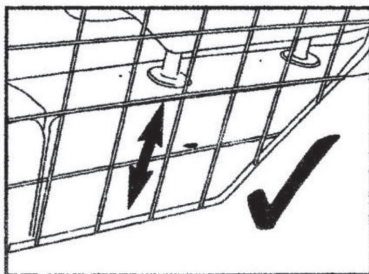
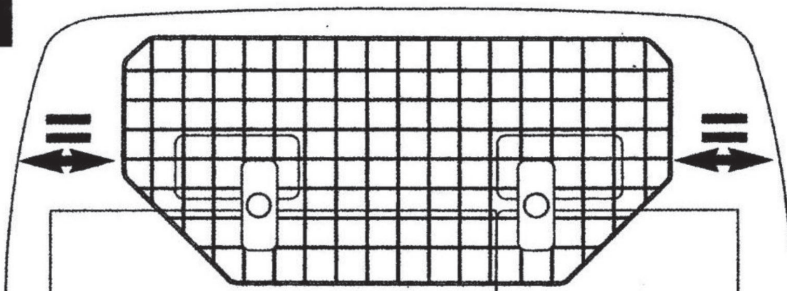
or



5

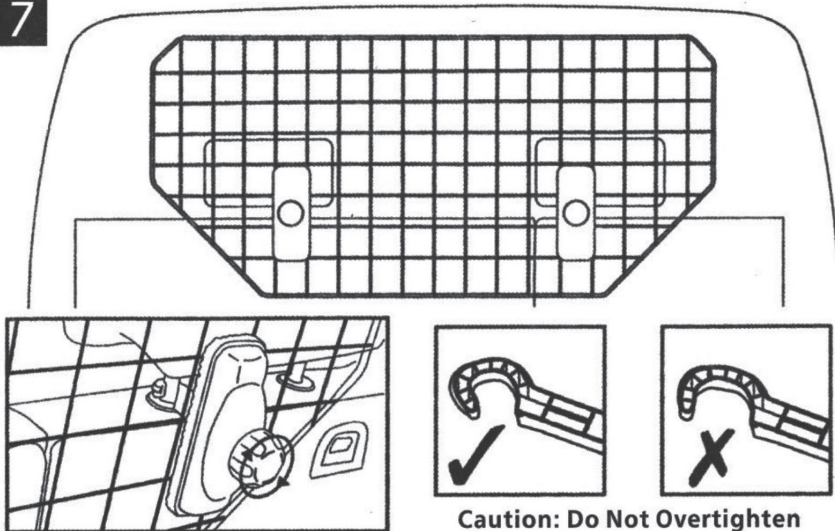


6

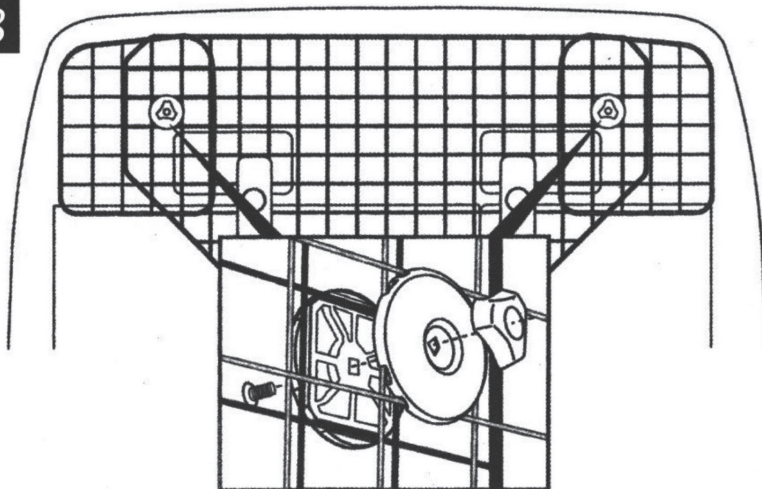




7



8



Streetwize Accessories:

Unit 1, Royce Trading Estate, Ashburton Road West,
Trafford Park, Manchester M17 1RY

Sales enquiries: sales@streetwizeaccessories.com

Technical enquiries: support@streetwizeaccessories.com

www.streetwizeaccessories.com