



SWAC20

***12V Cordless Rechargeable* Air Compressor**



Read and understand these instructions before attempting any operation of this battery charger and retain for future reference!





Fig. A

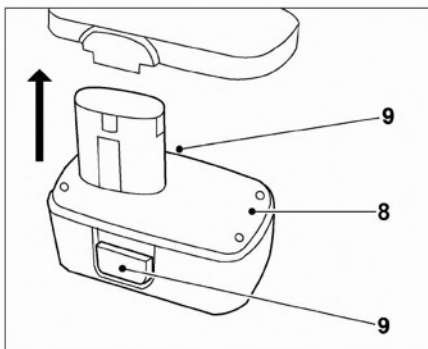


Fig. B



Fig. C



CORDLESS AIR PUMP

THE NUMBERS IN THE FOLLOWING TEXT CORRESPOND WITH THE PICTURES AT PAGE 2

TECHNICAL SPECIFICATIONS

Battery voltage	12 V
Mains voltage	230 V
Mains frequency	50 Hz
Recharging time	3 - 5 hours
Pressure	0 - 8 bar
Max. pump capacity	12 l/min

PRODUCT INFORMATION

Fig. A

1. Knurled ring
2. Pneumatic hose
3. Ball adapter
4. Tyre valve adapter
5. Airbed adapter
6. Safety button
7. On/off trigger
8. Adapter clip
9. Battery
10. Press-release
11. Pressure gauge
12. Carrying-loop attachment

PACKAGE CONTENTS

The package contains:

- 1 Cordless air pump
- 1 Battery
- 1 Charging adapter
- 1 Battery holder for the charger
- 1 Pneumatic hose
- 1 Ball adapter

- 1 Tyre valve adapter
- 1 Airbed adapter
- 1 Instructions for Use
- 1 Safety instructions
- 1 Guarantee card

The accessories shown and described in the instructions for use are not always supplied standard.

INTENDED USE

The appliance is intended for inflating car and bicycle tyres, and inflatable items for games, sport and leisure, but not for pumping up inflatable items with a large volume, such as inflatable boats and very large air beds. The appliance is not intended for professional use.

SAFETY INSTRUCTIONS

The following pictograms appear throughout these operating instructions:



Indicates danger of injury, risk to life and possible damage to the appliance if these instructions are not followed.



Indicates the presence of electrical current.

Read through these operating instructions carefully before using the appliance. Become familiar with the functions and method of operation. To ensure proper operation, always maintain the appliance according to the instructions. The operating instructions and associated documents should always be kept close to the appliance.

When using power tools, you must observe the following basic safety precautions in order to ensure protection from electric shocks, injury and fire. Read and follow all the instructions before using this power tool.

Look after the notes on safety.

- Always remove the battery from the appliance, whenever the appliance is not being used, during maintenance, and when exchanging accessories or parts.

- Use the appliance continuously for no longer than 10 minutes. Then give the appliance 10 minutes to cool down.
- Observe the maximum pressure! Do not inflate any items to excess pressure.
- Either hold the item to be inflated firmly, or tie it down.
- The air outlet and the adapter must be kept clean and unobstructed.
- The knurled ring (1) must be firmly tightened, and may not be loosened while in use, especially when using the appliance with adapters fitted.
- The appliance generates a high pressure. On no account should you point the air outlet towards any persons or animals.
- Do not use the appliance unsafely.

IMPORTANT SAFETY NOTES ON CHARGER AND BATTERY BLOCK

If you come into contact with acid from the battery block, rinse it off with water immediately. If acid gets into your eyes, rinse out your eyes at once with water and contact a doctor immediately!

1. Read and note the operating instructions and safety notes for the charger and battery block before use!
2. NB! Only use the charger and battery block that were supplied by the manufacturer - otherwise you will risk an accident.
3. Protect the charger, battery block and power tool from moisture, e.g. rain or snow.
4. Always check that all cables are connected correctly
5. If you discover that a cable is damaged, you should not use the charger again. Have the damaged cable replaced immediately.
6. When the charger is not in use, the mains plug should be removed from the power socket. Do not pull out the plug by grasping the cable.
7. If the charger has been dropped or has otherwise been exposed to high mechanical stresses, you should have it checked for damage by an authorised dealer before using it again. Damaged parts should be repaired.
8. Exercise caution when handling the battery block and do not drop it or expose it to impacts.
9. Never attempt to repair the charger or battery block yourself. Repairs must always be carried out by an authorised dealer - otherwise you risk an accident.
10. Before cleaning or servicing the charger or battery block, always pull the plug from the charger socket.
11. Never charge the battery block when the ambient temperature is below 10°C or above 40°C.
12. The air vents in the charger must never be blocked.
13. The battery block must not be short-circuited.



A short-circuit will cause a high current to flow. This may result in overheating, the danger of fire or explosion of the battery block. This may damage the battery block or the user may risk an accident.

Therefore:

- 1. Do not connect any cables to the poles of the battery block.*
 - 2. Take care that there are no metal objects (nails, paper clips, coins, etc.) on the contact surface of the battery block.*
 - 3. Do not expose the battery block to water or rain.*
 - 4. Only use the battery block supplied in combination with this cordless air pump/screwdriver so as to avoid faults and/or risks to persons.*
14. A damaged battery block or one that can no longer be charged must be disposed of as special waste. Do not discard it with household waste.
15. Never throw the battery block onto a fire or into water. This will risk explosion!

ELECTRICAL SAFETY



Always check whether your battery voltage matches that shown on the rating plate. Also find out whether your mains voltage matches the input voltage of the charger.



The battery charger is doubly insulated in compliance with EN60335; it therefore does not require earthing.

Replacing cables or plugs

Dispose of old cables or plugs immediately they are replaced by new ones. Connecting a plug on a loose cable to a socket is dangerous.



USE

CONNECTING AND REMOVING THE BATTERY

Fig. B



Ensure that the exterior of the battery block or tool is clean and dry before connecting the charger.

- Insert the battery (9) into the base of the appliance, as shown on the illustration. Push the battery until it latches in.
- Press the locking buttons (10) on both sides before removing the battery, and disengage the battery from the base of the appliance.

SWITCHING ON AND OFF

Fig. A

- Switch the appliance on, by pressing the safety button (6) and the on/off trigger (7) at the same time.
- When you release the trigger (7), the appliance will be immediately switched off.

DURING USE

Fig. A



When using the appliance outdoors, take care that no sand enters the ventilation grill (12).



Take care at all times that the appliance is properly connected to the item that must be inflated. Only use adapters that fit correctly.



Always check the actual pressure of an item, before beginning to inflate.

Inflating car tyres

When you want to inflate a car tyre, either place the air pump directly on the tyre valve, or by using the pneumatic hose (2).



Because the pressure gauge is not calibrated, and therefore can give no absolutely reliable pressure measurement, the tyre pressure should always be checked using a proper tyre gauge, before you drive on the tyres.





Inflating bicycle tyres

Before inflating a bicycle tyre that has a regular valve, first screw the adapter (4) onto the tyre valve. Then place the air pump on the adapter (4), or twist the pneumatic hose onto the adapter (4), and inflate the bicycle tyre to the desired pressure.

For a bicycle tyre with a “car tyre valve” (for example, on a mountain bike), place the pump either directly on the valve, or use the pneumatic hose (2).

Inflating other objects

To pump up inflatable game, sport and leisure items, use either the ball adapter (3) or the airbed adapter (5).

CHARGING THE BATTERY

Fig. C

The included battery is delivered in non-charged condition.

- Only use the battery charger in a temperature range between +10° to + 40° Celsius.
- Only use the battery charger in dry, ventilated rooms.

CHARGING

- Place the battery holder on a flat table and put the battery in the battery holder. Pay attention to + and - pole markings.
- Put the adapter plug of the net adapter in the connector on the side of the battery holder.
- Put the net adapter in the socket.
- The red charging lamp on the battery holder will illuminate indicating the battery is being charged.
- The charging process of a fully discharged battery will take approximately 5 hours the first time and afterwards approximately 3 hours.



After the charging time the red light will not switch off automatically! Remove the battery within 5 hours from the charger. If the battery is not removed from the charger after the charging period it may become overheated.

DISCHARGING THE BATTERY



Not only charging batteries is important, discharging is of equal importance or even greater importance.

- When the battery is charged the cordless air pump has to be used until you start noticing that the power of the cordless air pump is diminishing.
- The battery is almost discharged now. Only now you can start charging the battery.





- Charging the battery while it is still charged for say one-third of capacity, the so-called 'memory effect' can occur. Since during charging only the discharged part of the battery capacity of the battery is being charged now, the battery can start crystallizing in the one-third that is still charged. This part of the battery capacity can never be used afterwards.
- Do not discharge the battery to the minimum. As soon as you notice that the power or the maximum rotational speed is diminishing, you have to charge the battery. When you proceed using the cordless air pump and the battery becomes fully discharged, the so-called 'switch of poles effect' can occur. The polarity of the battery poles will be switched: the '+' will become '-' and the '-' will become the '+' Once this has occurred the polarity will remain switched during loading and this will damage the battery irreparable.



When the cordless air pump is not being used over a longer period of time, the battery has to be charged fully first. The battery has to be stored in charged condition.

MAINTENANCE

These appliances are designed to function without difficulty for a long time and to require minimum maintenance. You will prolong the appliance's life by cleaning it regularly and using it correctly.

Cleaning

Clean the housing regularly with a soft cloth, preferably every time it is used. Keep the air vents free of dust and dirt.

Remove stubborn dirt with a soft rag moistened in soapy water. Do not use any solvents such as petrol, alcohol, ammonia, etc. as such substances can damage the plastic parts.

Lubrication

The appliance does not need any extra lubrication.

Faults

If a fault arises through wear in an element, please contact the service address shown on the warranty card. A drawing of the spare parts that may be obtained is included at the end of these operating instructions.






Disposal and recycling

The equipment is supplied in packaging to prevent it from being damaged in transit. The box and recyclable materials in this packaging can be reused or recycled. Any plastic packaging must be disposed of in accordance with current local authority procedures.



The WEEE symbol  on this product means that the battery charger should be ethically dismantled or recycled to minimise environmental impact. Please check with your local authority for more information.

IMPORTANT:

ADDITIONAL SAFETY INFORMATION

This Cordless Rechargeable Air Compressor is **NOT** intended for use by persons (including children) with reduced physical, sensory or mental capabilities, or lack of experience and knowledge, unless they are supervised or have been given instruction concerning use of the Cordless Rechargeable Air Compressor by a person responsible for their safety.

This Cordless Rechargeable Air Compressor has around 10/15 minutes of continuous inflation use, it is recommended to allow the Air Compressor to rest for around 10/15 minutes and restart once the unit has fully cooled.

TAKE EXTRA CARE WITH AIR FLOW TUBE, METAL PARTS MAY BECOME HOT WHEN INFLATING.

WARRANTY: To validate the warranty on this product, please go to our web site and enter your details on the warranty screen. www.streetwizeaccessories.com.





Streetwize Accessories: Unit 1, Royce Trading Estate,
Ashburton Road West, Trafford Park, Manchester M17 1RY

Sales enquiries: sales@streetwizeaccessories.com

Technical enquiries: support@streetwizeaccessories.com
www.streetwizeaccessories.com



M17 1RY

R
o