



# 12 Volt Heater, Fan & Defroster



M17 1RY

**Streetwize Accessories:**

Unit 1, Royce Trading Estate, Ashburton Road West, Trafford Park, Manchester M17 1RY

**Sales enquiries:** [sales@streetwizeaccessories.com](mailto:sales@streetwizeaccessories.com)

**Technical enquiries:** [support@streetwizeaccessories.com](mailto:support@streetwizeaccessories.com)

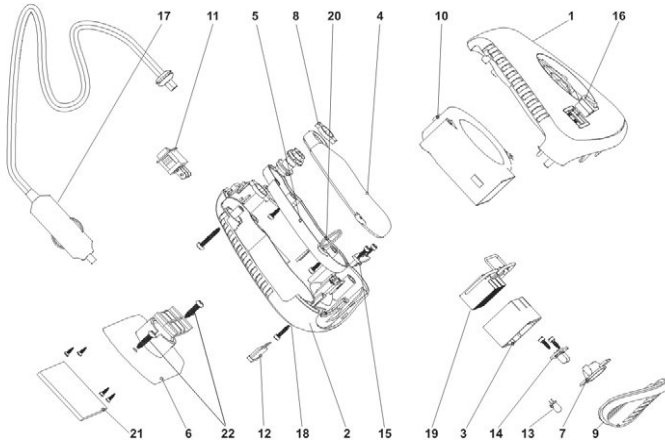
[www.streetwizeaccessories.com](http://www.streetwizeaccessories.com)

Please read and retain these instructions for future reference.



## Parts List and Diagram

Part	Description	Qty.	Part	Description	Qty.
1	Upper Housing	1	12	Fuse 15A	1
2	Lower Housing	1	13	Red LED	1
3	PTC Holder	1	14	White LED	1
4	Upper Handle	1	15	PCB	1
5	Lower Handle	1	16	LED Switch	1
6	Mounting Base	1	17	Cigarette Lighter Plug	1
7	LED Reflector	1	18	Fuse Holder	1
8	LED Lens	1	19	PTC	1
9	Air Vent Window	1	20	Key Ring	1
10	Fan Assembly	1	21	Adhesive Strip (2 sided)	1
11	Power Switch	1	22	Mounting Screw	2



**Note:** Some parts are listed and shown for illustration purposes only, and are not available individually as replacement parts.

## Operation Instructions

**NOTICE:** To prevent blowing a fusible link on the Power Socket, only use with 15 Amp rated Power Socket receptacle.

- Place the Power Switch (11) and the LED Switch (16) in their O (off) positions. Plug the Power Socket (17) into the vehicle's Power Socket receptacle.
- The Heater can be removed from the Mounting Base (6). By holding the Handle (4/5) the Heater can be moved around as needed.
- The LED Switch (16) turns the light on/off.
- To select either the fan only or the heater and fan, press the Power Switch (11) to the setting as marked. Toggle the Power Switch to the center position to turn off these functions.
- Unplug the Heater before leaving the vehicle.

**WARNING!** Do not operate longer than 15 minutes at one time, allow heater to cool completely after use.

## Important Safety Information

- This product is not a toy.** Do not allow children to play with or near this item.
- The Heater's base can be mounted to the vehicle using Mounting Screw (22) or the Adhesive Strip (21) as desired.
- Verify that installation surface has no hidden wires or other components before drilling or driving screws.
- Do not mount or use when tired or when under the influence of alcohol, drugs or medication.
- Do not exceed the vehicle manufacturers rated fuse capacity in the Power Socket circuit at all times.**
- Do not leave heater plugged in while starting vehicle or while vehicle's engine is off.** Low voltage during these circumstances will increase heat in the wiring and may blow the fusible link in the receptacle or another fuse.
- Check vehicle manual to ensure the Power Socket receptacle is rated at 15 Amps or greater. Do not use a socket extension or pigtail to operate this Heater.
- Only use this Heater for up to 15 minutes at a time, and allow to cool between uses. Do not operate other 12VDC appliances at the same time.**