



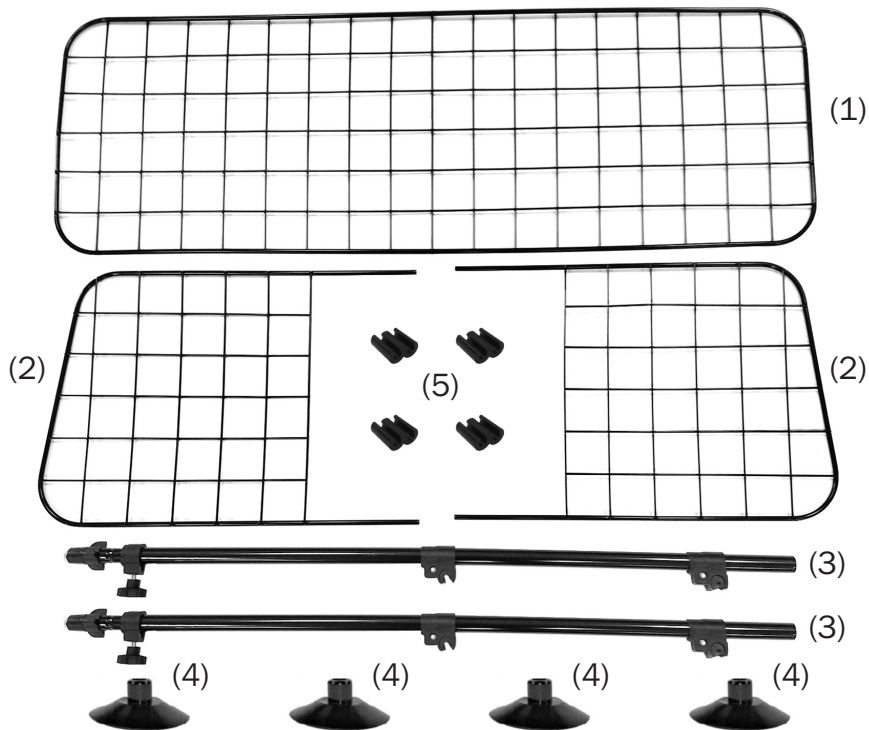
SWDG2

Universal Dog Guard

- *Fully height adjustable with specially designed extending side panels, suitable for most Hatchbacks, Estates & 4x4's.*
- *Width adjusts from 91cm - 151cm*
- *Height adjusts from 81cm - 133cm*



Please read the instructions carefully before any use of this product, and retain for future reference.



1. Arrange the wire mesh assembly (parts 1 and 2-(x2)) to the appropriate size to fit the width of the vehicle and secure using the clips (5)-x4 supplied as in (Diagram 1 - opposite).
2. Add the end caps supplied (4)-x4 to the ends of the support bars (Diagram 2 - opposite).
3. When assembled, connect the support bars (3) to the wire mesh assembly, using the 4 clips (6) on each support bar (Diagram 3 - opposite), and tighten using a phillips screwdriver (not supplied).
4. Adjust the height of the support bars to the approximate height of the vehicle floor and roof and tighten adjustable screw (7) to secure.
5. Place in the vehicle as shown in the image on the front of these instructions, adjust the extending screws (8) to tighten the support bars securely to the roof & floor of the vehicle.
6. If using dog guard for a prolonged period, regularly check all fittings and tighten as necessary.



Diagram 1



Diagram 2

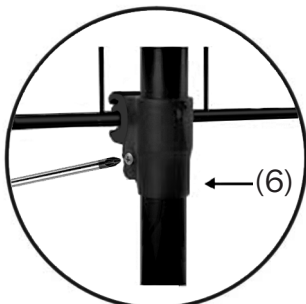
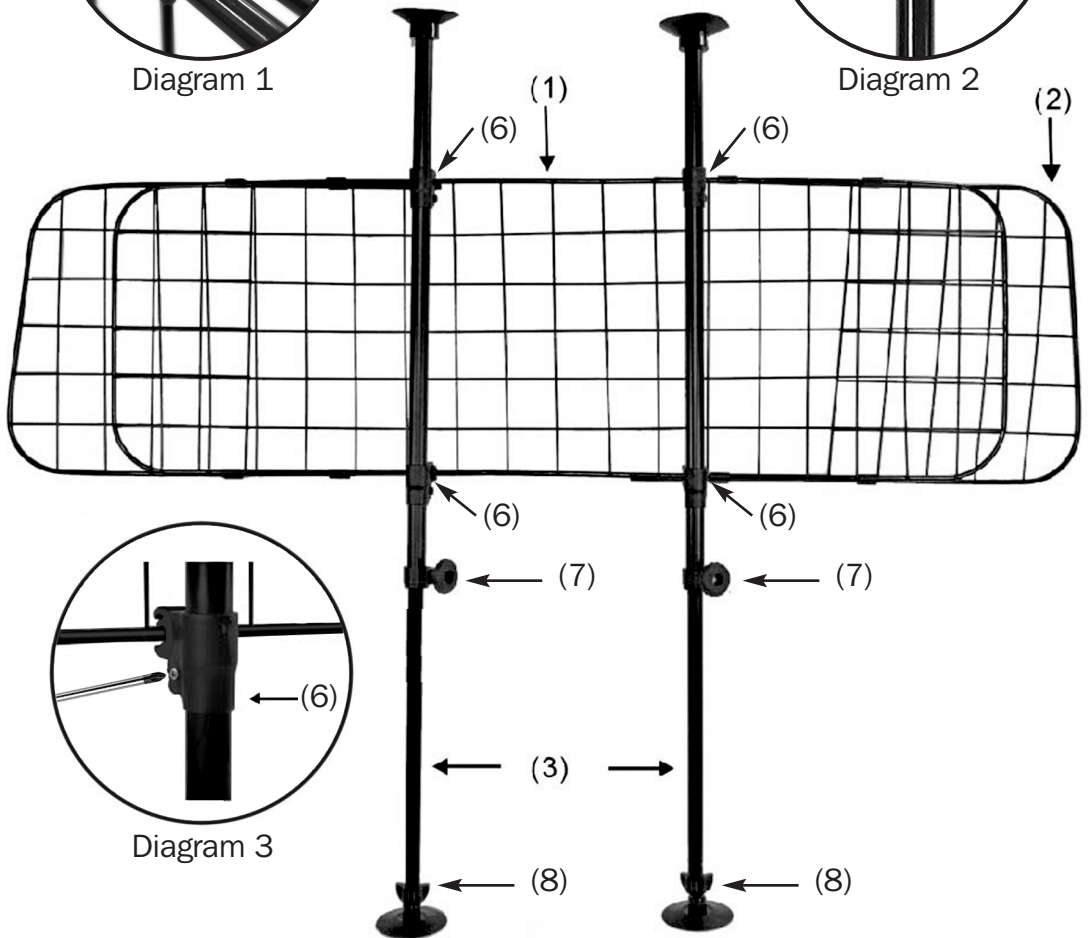


Diagram 3



Streetwize Accessories: Unit 1, Royce Trading Estate,
Ashburton Road West, Trafford Park, Manchester M17 1RY

Sales enquiries: sales@streetwizeaccessories.com

Technical enquiries: support@streetwizeaccessories.com

Telephone: 0161 447 8597 www.streetwizeaccessories.com