



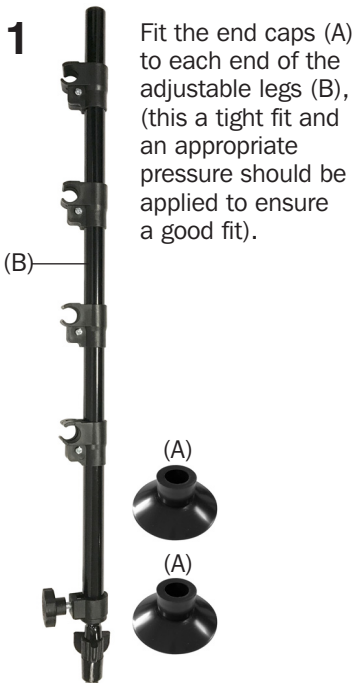
SWDG1

Universal Dog Guard

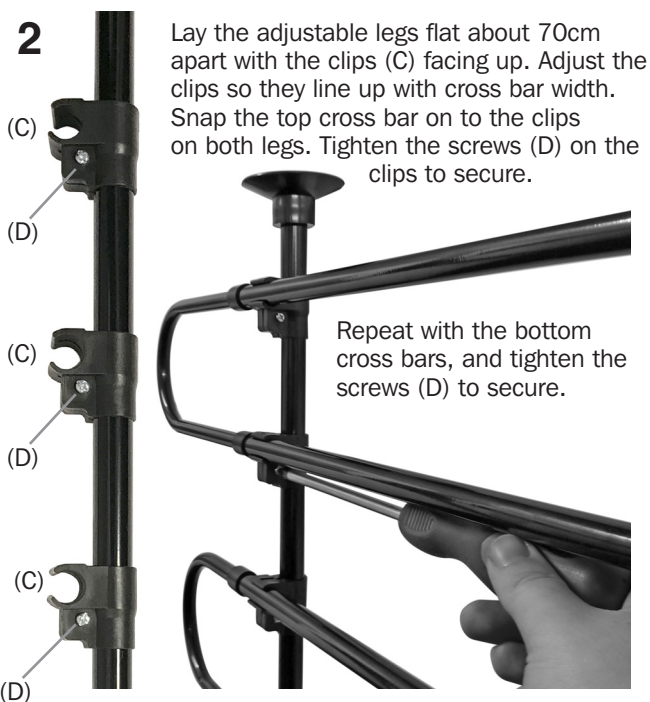
- *Fully height adjustable with specially designed extending side bars, suitable for most Hatchbacks, Estates & 4x4's.*
- *Width adjusts from 90cm - 145cm* ■ *Height adjusts from 60cm - 110cm*



Please read the instructions carefully before any use of this product, and retain for future reference.



Fit the end caps (A) to each end of the adjustable legs (B), (this a tight fit and an appropriate pressure should be applied to ensure a good fit).



Lay the adjustable legs flat about 70cm apart with the clips (C) facing up. Adjust the clips so they line up with cross bar width. Snap the top cross bar on to the clips on both legs. Tighten the screws (D) on the clips to secure.



Unscrew wing nut (E) and adjust the height of the dog guard to approximately the correct height for the vehicle concerned. Place the dog guard into the vehicle, further adjust the height as necessary for a firm fit between the floor and the roof of the the vehicle (see image on box), tighten the wing nut (E) to secure the dog guard legs. Finally turn the bottom wing nut (F) anti-clockwise until the the dog guard feels steady and will not move.

The curved ends of the horizontal bars (see below) are manually adjustable horizontally to fill the space as needed, simply slide to the desired width.



Streetwize Accessories: Unit 1, Royce Trading Estate, Ashburton Road West, Trafford Park, Manchester M17 1RY
Sales enquiries: sales@streetwizeaccessories.com
Technical enquiries: support@streetwizeaccessories.com
Telephone: 0161 447 8597 www.streetwizeaccessories.com