



1900W Pressure Washer

(SWPW5) Information For Use





Contents

Intention for Use	2
Product Elements	3
Health & Safety	4
Wear Protective Equipment	4
General Safety Warnings	4
Accident/Injury Hazard	4
Electrical Hazard	4
Assembly Instructions	5-6
Directions for Use	6-7
Before use	6
Using The Pressure Gun	6
Using the Soap Bottle Attachment	7
Spare parts	8
Technical Support	8
Technical Specifications	8

Intention For Use

Thank you for purchasing this 1900W Pressure Washer from Streetwize. This pressure washer is intended for use for washing vehicles (exterior body and wheels), driveways, concrete tiles & patios, wooden decking patios, barbeque grills & home exteriors (vinyl/bricks).

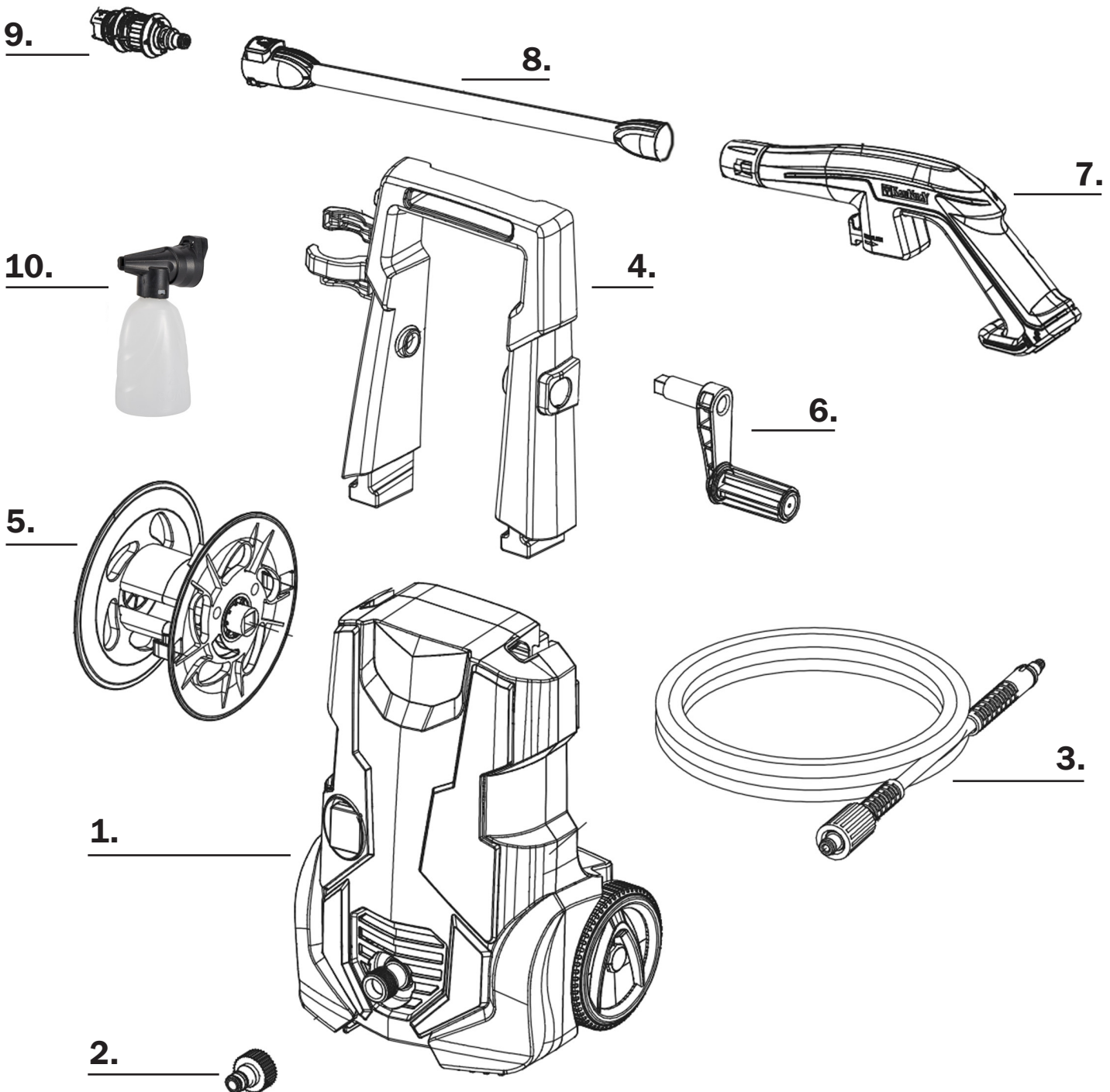
When using this pressure washer, we recommend that you wear protective safety equipment as outlined in this document. This pressure washer should be kept away from children, and should never be used by children.

WE HIGHLY ADVISE THAT YOU READ ALL THE SAFETY GUIDELINES AND INFORMATION IN THIS DOCUMENT.



Product Elements

1. Main pressure washer unit
2. Water Inlet Connector
3. Pressure hose
4. Handle
5. Hose Reel
6. Hose Reel Handle
7. Pressure Washer Gun
8. Lance
9. Adjustable Line Nozzle
10. Soap Bottle
11. Screws/fixings





Health & Safety

PLEASE ENSURE THAT YOU READ THROUGH THE HEALTH & SAFETY INFORMATION PROVIDED BELOW BEFORE USING THE PRESSURE WASHER UNIT.

Wear Protective Equipment

When using the pressure washer, please wear the following protective equipment:

- Safety goggles/eye protection
- Protective Gloves
- Ear protection
- Overalls
- Boots with strong grip

General Safety Warnings

When using the pressure washer, please wear the following protective equipment:

- When cleaning cars, do not drive over the pressure hose.
- Never move the unit using the pressure hose. Explosion hazard and risk of damage to the hose.
- When cleaning tyres, tyre valves or other pressurised components, the pressure water jet that comes out of this unit can potentially damage (even cause explosion) the component. Please keep at least a distance of 30cm during cleaning these components.
- Do NOT leave the appliance unattended.
- Do NOT alter the original diameter of the spray head nozzle.

Accident/Injury Hazard

- Do NOT use this pressure washer with inflammables or toxic liquids/chemicals. Risk of explosion and personal harm.
- Do NOT direct the pressurised water jet towards people and/or animals. Injury hazard.
- Do NOT allow children and/or people who are not fully competent to use this appliance. Injury hazard.
- Do NOT use the appliance if the pressure hose is damaged. Explosion hazard.
- Do NOT intentionally jam the trigger in the operating position. Accident hazard.
- Do NOT tamper or adjust the setting of the safety valve.
- Before setting up or making adjustments (i.e. replacing the nozzle), ensure the unit is unplugged. This prevents accidental start-up.
- Before pulling the trigger, use both hands to ensure that you have a firm grip on the pressure washer gun to prevent/minimise recoil.
- For maintenance or repairs, please seek assistance from a qualified professional.
- Discharge residual pressure before disconnecting the hose from the inlet.

Electrical Hazard

- Do NOT touch the plug or unplug the unit from the socket using wet hands. Electrical Hazard.
- Do NOT direct the pressurised water jet towards the pressure washer unit. This will damage/affect the electrical components. Electric shock hazard.
- Do NOT use the pressure washer outdoors when it is raining. Electrical & short circuit hazard.
- All electrical conductors must be protected against the water jet. Short circuit hazard.
- Only use detergents that will not corrode the pressure hose or electrical cable.



Assembly Instructions

1. First, assemble the pressure washer's handle as shown in Figure 1.

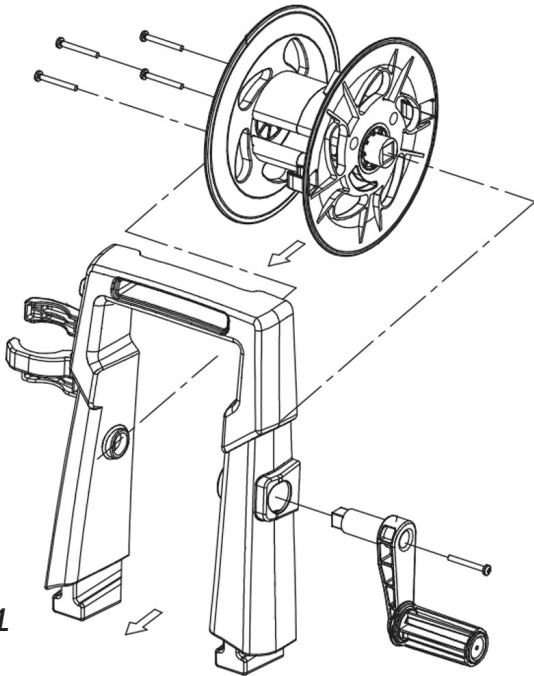


Fig. 1

2. Attach the handle to the top of the main pressure washer unit (see figure 2).

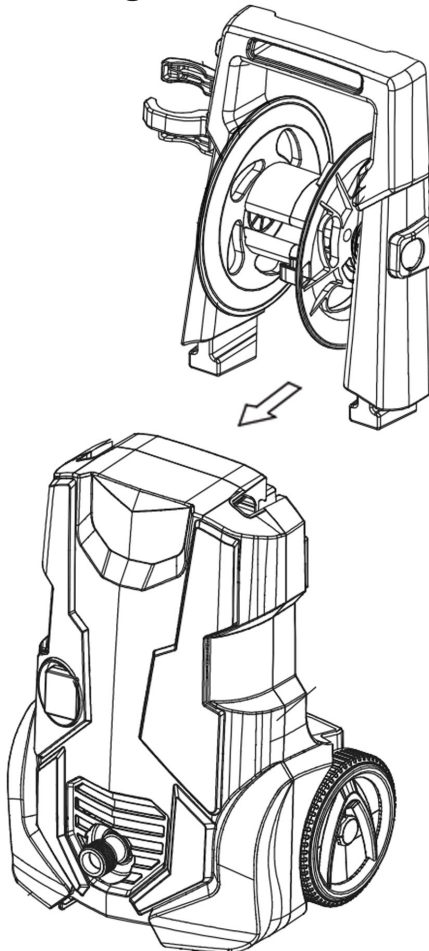


Fig. 2

3. Once the handle has been attached, connect the pressure hose to the outlet found behind the main pressure washer unit. Push hose into inlet and then screw to secure. See Figure 3A and 3B. Then wind the pressure hose onto the reel.

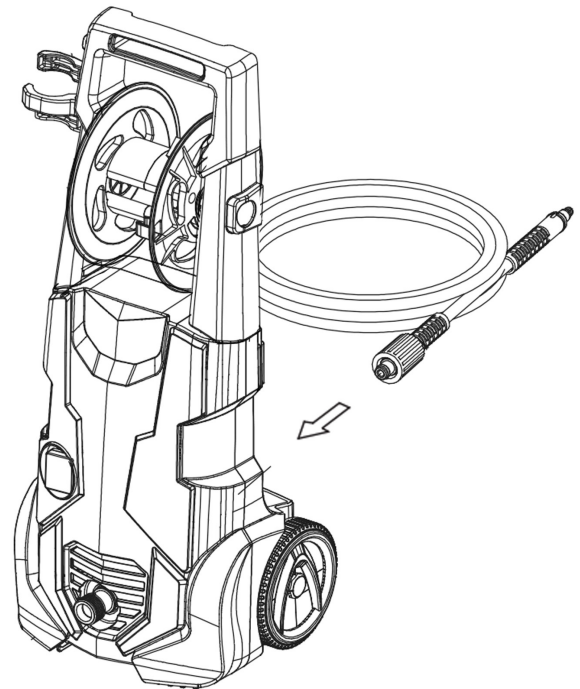


Fig. 3a



Fig. 3b

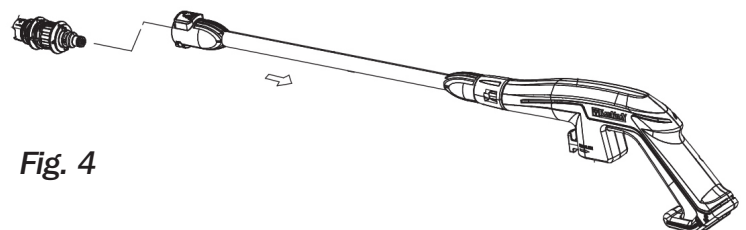


Fig. 4

4. Assemble the pressure gun as shown in Figure 4, with the provided line nozzle.



Fig. 5

5. Connect the pressure hose to the pressure gun. The hose should easily click into place. Ensure the release trigger is not pushed in when connecting the pressure hose. To remove the hose push in the release button and pull the hose out.

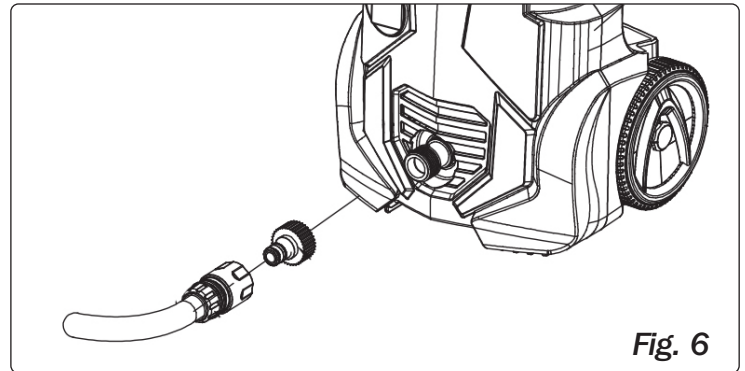


Fig. 6

6. Connect the pressure washer to your hose pipe via the 1/2 inch inlet connector (Figure 6).

Once the product is assembled, your pressure washer is ready to use. You do not need to disassemble the product after using the pressure washer. Just store in a dry place at room temperature.

(If you want to disassemble the pressure washer, simply reverse the steps outlined in Assembly Instructions).

Directions For Use

Before use

Before using the pressure washer, ensure the adjustable line nozzle is firmly in place. Never use the pressure washer without the line nozzle being firmly in place.

The line nozzle can be adjusted to change the width of the pressurised water output for more coverage. Simply rotate the nozzle to adjust the width of the jet spray.

Once both the water supply and power supply are on, the pressure washer will start as soon as you pull the trigger on the pressure gun.

IMPORTANT: When using the pressure washer, please wear protective eyewear, protective gloves and boots with strong grip.

Using The Pressure Gun

When using the pressure gun, ALWAYS ensure that you use both hands to provide a firm grip. Never use only one hand.

Before pulling the trigger, turn the safety lock off first, (located at the base of the handle) then point the pressure washer gun to where you want to clean. Then press the trigger.



Fig. 7

IMPORTANT: After 1 minute of continuous use, release the trigger to allow the unit to cool down. Let it cool down for a few seconds, and repeat.

Using The Soap Bottle Attachment

The soap bottle provided is ideal for cleaning cars with a suitable car shampoo. To use the soap bottle, simply follow the instructions below:

1. Open up the soap bottle attachment. Fill it with a suitable cleaning solution. And then close the bottle. (Figure 8)
2. Ensure the adjustable line nozzle is set to maximum width. Never use the soap bottle to the minimum width of the line nozzle.
3. Attach the filled soap bottle to the attachment. Then proceed using the pressure washer (see Figure 9)



Fig. 8



Fig. 9

Technical Specifications

Product	Streetwize 1900W Pressure Washer
Supplier code	SWPW5
Motor Power	1900W
Voltage/Frequency	220-240V/50-60Hz
Working Pressure	100 Bar
Max Pressure	150 Bar
Working Flow Rate	5.5 L/min
Max Flow Rate	7.5 L/min
Pump RPM	3000 RPM
Hose Length	5 metre
Product Dimensions*	Max Height 63cm x Max Depth 24.5cm x Max Width 36cm



Technical Support

If you require any technical support for your product, please contact us on:

support@streetwizeaccessories.com

and provide the product name and supplier code (see Technical Specifications) along with the technical query and proof of purchase.

We have over 1000 car and leisure products in our range

To find out more visit our website:

www.streetwizeaccessories.com

 **Download Manuals**  **Contact Us**  **Browse our Range**

Or follow us on social media

 Search **"Streetwize"**



Streetwize: Ashburton Road West,
Trafford Park, Manchester M17 1RY
www.streetwizeaccessories.com

For product support:
E: support@streetwizeaccessories.com
T: +44 (0)161 447 8597

For trade enquiries:
E: sales@streetwizeaccessories.com
T: +44 (0)161 447 8580