



# Low Wattage Portable Tumble Dryer

LW620



Please read these instructions carefully before operating this tumble dryer and retain for future reference.



## Table of Contents

Important Safety and General Instructions.....	01
Parts List Diagram.....	04
Installation Instructions.....	06
Operating Instructions.....	11
Control Panel Functions .....	12
Cleaning and Maintenance.....	14
Frequently Asked Questions .....	17



## Important Safety and General Instructions

Read this manual thoroughly before first use, even if you are familiar with this type of product. The safety precautions enclosed herein reduce the risk of fire, electric shock and injury when correctly adhered to. Please keep this user manual in a safe place along with your purchase receipt and carton for future reference. If applicable, pass these instructions and packaging on to the next owner of the appliance. Always follow basic safety precautions and accident prevention measures when using an electrical product.

1. Before turning on the Tumble Dryer ensure the electrical voltage and frequency of the circuit corresponds to those indicated on the rating label of the product.
2. We strongly recommend you connect the appliance to a separate circuit serving only this appliance. This provides the best performance and also prevents overloading the house wiring circuits that could overheat and cause a fire hazard.
3. Do not use an extension cord unless completely necessary with the Tumble Dryer. If an extension cord is used please ensure that it has a rating equal or exceeding the rating of this product.
4. Do not pull or carry by cord, use cord as a handle, close a door on the cord, or pull cord around sharp edges or corners. Keep cord away from heated surfaces.
5. Do not bend or damage the power cord.
6. Never force the plug into an outlet.
7. Always unplug the Tumble Dryer when not in use. To disconnect from the power supply, grip the plug and pull from the power outlet. Never pull by the cord. The plug must be removed from the power outlet before cleaning, servicing, maintenance or moving the Tumble Dryer.
8. Do not move or lift the Tumble Dryer while the power cord is still connected to the power outlet or still on. Always ensure it is switched off and has cooled down before moving.
9. Do not use the Tumble Dryer if the plug, cord or the Tumble Dryer itself is damaged.
10. Unless your home is already fitted with a residual current device (safety switch), we recommend installing an RCD with a rated residual operating current not exceeding 30mA to provide additional safety protection when using electrical appliances. See your electrician for professional advice.
11. The Tumble Dryer is intended for indoor household use only and not for commercial purposes.
12. Do not use the Tumble Dryer for other than its intended use.
13. The Tumble Dryer is not a toy. Supervise young children to ensure they do not play with this product.
14. The Tumble Dryer is not intended for use by persons (including children) with reduced physical, sensory or mental capabilities or lack of experience or knowledge unless they have been given supervision or instruction concerning use of the product by a person responsible for their safety.
15. Do not install the Tumble Dryer in a tight fitting cabinet. Do not install it near heat sources such as radiators, heaters, air ducts or direct sunlight. If the Tumble Dryer is not wall-mounted, place it on a flat, firm, dry and stable surface in a well ventilated area.
16. Do not operate or place any part of the Tumble Dryer on or near any hot surfaces (such as a gas or electric burner, or a heated oven).





## Important Safety and General Instructions (cont.)

17. Do not cover the Tumble Dryer whilst in use. Do not block any ventilation openings. Ensure that vents are not covered by newspapers, tablecloths, curtains, etc.
18. Except for the filters that require cleaning, this unit has no user-serviceable parts contained within. Do not attempt to repair, disassemble or modify the Tumble Dryer.
19. Improper installation may result in the risk of fire, electric shock or injury to person.
20. The manufacturer is not responsible for any eventual damage caused by improper or faulty use.
21. The use of attachments not sold or recommended by the manufacturer may cause fire, electric shock or injury.
22. The Tumble Dryer is not intended to be operated by means of an external timer or any type of separate remote control system.
23. Do not place the Tumble Dryer against a wall or against other appliances. Leave at least 10cm of free space around the appliance.
24. Before installation make sure you remove all the transport packaging at the rear of the Tumble Dryer.
25. Arrange the cord away from high traffic areas where it will not become a tripping hazard.
26. Do not place items that have been blemished with flammable liquids inside the Tumble Dryer without washing them with detergents thoroughly beforehand.
27. Make sure all pockets of clothing to be dried are empty. Hard, sharp objects such as coins, safety pins, bra wires, nails, screws, lighters or matches must be removed as they can cause extensive damage to the Tumble Dryer.
28. Do not overload the Tumble Dryer. The Tumble Dryer has a maximum capacity of 13LBS.
29. The door window may be hot after a long drying cycle. Always ensure children are kept away from the Tumble Dryer.
30. Do not place the Tumble Dryer on carpet, as it may create damage to the air ventilation and create risk of fire, spontaneous combustion, or injury to persons.
31. Do not dry dirty, unwashed garments in the Tumble Dryer.
32. Do not dry items made of foam, rubber, plastic, or other heat-sensitive fabrics (such as bathroom rugs, non-slip mats or raincoats) as the heat may cause risk of fire, spontaneous combustion, or injury to persons.
33. After turning off the Tumble Dryer, please wait at least two minutes before turning it back on again.
34. Fabric softeners, or similar products, should be used as specified by the products instructions.

**NOTE:** The final stage of a Tumble Dryer cycle occurs without heat to ensure that the garments are left at a temperature that will not cause them damage.

## Important Safety and General Instructions (cont.)

**WARNING:** Never stop the Tumble Dryer before the end of a drying cycle unless all items are removed quickly and spread out to ensure the heat has dissipated.

**WARNING:** Do NOT place the items listed below within the Tumble Dryer. Drying these items can cause a risk of fire, electrocution or injury to persons or appliance.



**WARNING:**

Oil-affected items can ignite spontaneously, especially when exposed to the heat of the Tumble Dryer.

Do not dry: Garments that have been splashed or soaked in cooking oil, or with other highly flammable substances. Highly flammable substances include acetone, alcohol, petrol, kerosene, stain removers, dry-cleaning solvents, turpentine, waxes, wax removers and some hair care products.

Undergarments that contain metal or wire (such as underwire bras), which can come loose during the drying process and create damage the Tumble Dryer.

Garments containing foam rubber or any other materials with similar texture such as clothes fitted with foam rubber pads, pillows, galoshes and rubber coated shoes.

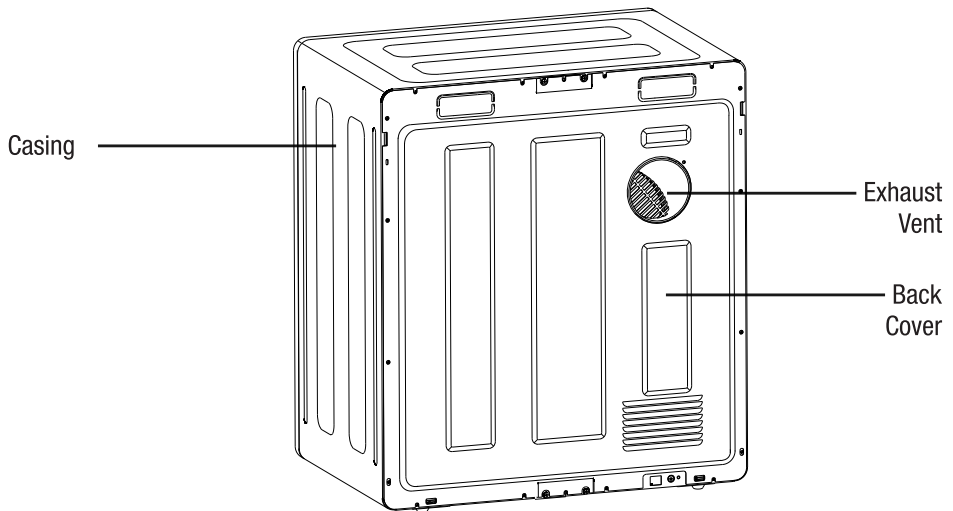
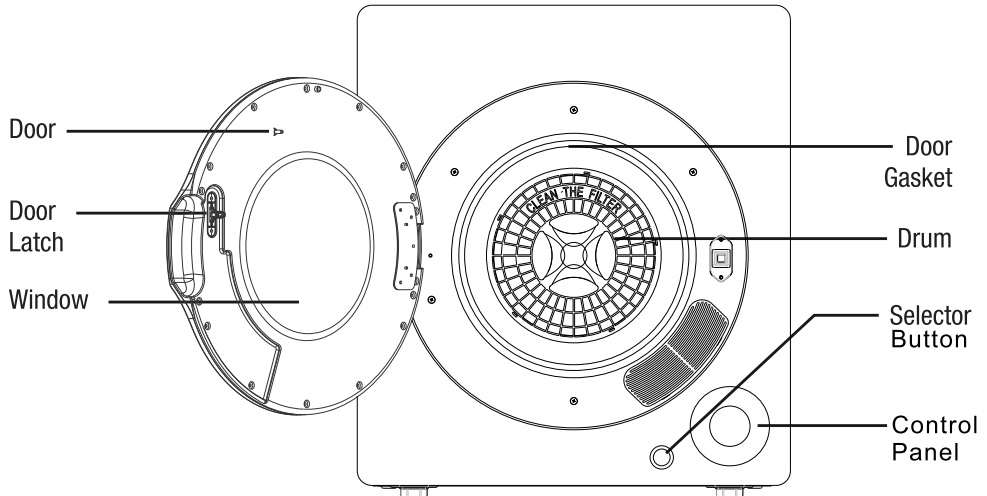
Plastic substances such as shower caps or waterproof baby bibs.

Fabric softeners or similar products, unless they are specifically recommended by the product manufacturer for use in a clothes dryer.



# Parts List Diagram

(For:GYJ10-P10)

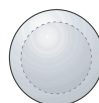


## Control Panel Functions

### Heat Selector button

Select 'Strong Dry' for items that are particularly bulky or large quantities.

Select 'Soft dry' for delicate items such as Silk, nylon, linen etc.



 Soft  
 Strong

Heat Selector Knob

### Drying Program Selector

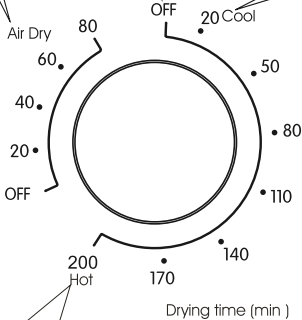
There are five drying combinations available: Cool, Anti-wrinkle, Warm, Hot and Air dry.

**Air Dry:** This function runs with cool air, primarily to air items that require freshening i.e.: clothes that have been stored for a long period of time.

**Off:** When the 'Drying Timer' dial is in the 'Off' position no power is supplied to the unit. As soon as the dial is turned clockwise to the desired program the dryer will start.

**Cool:** This function is generally used to cool the items that have just been dried. This helps to prevent creasing. Instead of the motor pushing heat into the drum of the dryer it will generate cool air.

**Off:** When the 'Drying Timer' dial is in the 'Off' position no power is supplied to the unit. As soon as the dial is turned clockwise to the desired program the dryer will start.



**Warm:** Anti-wrinkle function: This is used for items that are difficult to iron i.e.: cotton shirts and linen. Using the heat selector knob choose 'Soft'. Set the drying timer knob between 30 – 60 minutes depending on the amount of items in the dryer. Once the timer stops (including the Cool program) the items will still contain moisture, making the ironing process easier.

**Warm drying function:** This function will dry and cool items and in most cases leave items wrinkle free (depending on material). Select the 'Strong' heat option. Set the timer between 60-150 minutes.

**Hot:** For drying large quantities or bulky items (Dryer drum is more than 1/2 full). Select the 'Strong' heat option and set the timer for more than 150 minutes.



## Installation Instructions

The following instructions will guide you through the initial steps of setting up your Tumble Dryer. Please note that every section of this manual provides important information regarding the preparation and use of your Tumble Dryer, and it is important that you review this entire manual before proceeding with any installation or use. Be sure to observe all listed warnings and cautions. Read these installation instructions completely and carefully.

**WARNING:** This Tumble Dryer cannot be placed upside down.

### CAUTION:

The Tumble Dryer is very heavy, please do not try and lift alone.

To avoid the risk of injury, please do not lift the Tumble Dryer by grasping any of the protruding parts such as the door, as this may cause damage to the appliance.

To avoid the risk of tripping, ensure all cords and cables are away from traffic areas.

Ensure you check the Tumble Dryer for any damage incurred before first use.

## Before Installation

Unpack the Tumble Dryer but keep all packaging materials until you have made sure it is undamaged and in good working order. Plastic wrapping can be a suffocation hazard for babies and young children, so ensure all packaging materials are out of their reach.

Please make sure you remove the packaging at the rear of the Tumble Dryer.

Wipe the inside of the Tumble Dryer Drum thoroughly with a damp cloth to remove any dust.

## Where To Install the Tumble Dryer

**NOTE:** This Tumble Dryer cannot be placed upside down.

Place the Tumble Dryer in a dry, well-ventilated area. It should be positioned away from heat and direct sunlight. Your Tumble Dryer should not be situated near a gas hob, cooker, heater or eye level grills as flames



## Installation Instructions (cont.)

from the burners could cause damage to your Tumble Dryer. When the Tumble Dryer is fitted under a work surface, allow **0.61n** space from each side of the Tumble Dryer for air to exit the rear grille. This airflow is critical to condense the water during drying.

### Wall Mounting Instructions

One of the best ways to save space in your laundry room is to stack your Tumble Dryer on top of your washing machine using a mounting kit. The purpose of the mounting kit is to evenly distribute the weight of the Tumble Dryer to reduce the risk of damage to the appliance.

**NOTE:** This Tumble Dryer is not suitable for direct placement on top of a washing machine. If mounting above a washing machine, allow sufficient room to open the lid of the washer.

**IMPORTANT:** Always ensure to use two or more persons when doing heavy lifting to prevent injury to persons or your surroundings.

If you would like to mount your Tumble Dryer, please use the supplied Wall Mounting Kit. Additional tools may be required for mounting onto a plaster/wood stud wall.

Wall Mounting Kit Includes	
Wall Hanging Bracket (Fig. 1)	1
Spacers (Fig. 2)	2
Exhaust Connector (Fig. 3)	1

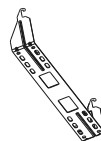


Fig. 1

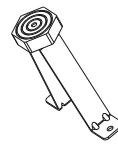


Fig. 2

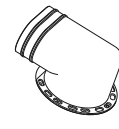


Fig. 3

Tools Required (not included)			
Drill	1	Approx 0.5In Long Screws	4
Phillips Head Screw Driver	1	Approx 2In Long Screws	4
Spanner	1		

## Installation Instructions (cont.)

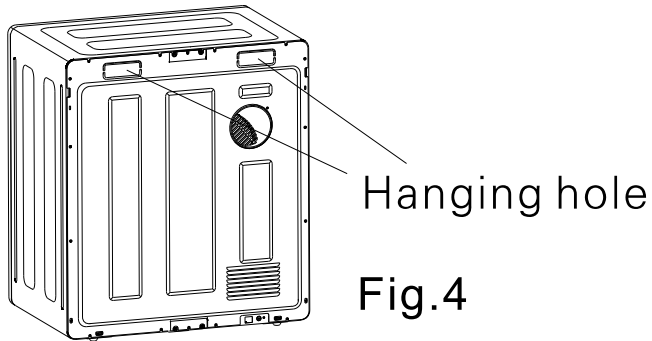
Please consider the Exhaust Vent when determining a position to install the Tumble Dryer. The hot, moist air from a Tumble Dryer can unnecessarily heat your house, cause problems with mould and create a potential safety risk. The Exhaust Vent is optional depending on the layout of your laundry.

**CAUTION:** Never mount the Tumble Dryer directly onto a plasterboard wall. The Wall Hanging Brackets always have to be attached to the wall studs or an additional timber stud that is then attached to the wall studs.

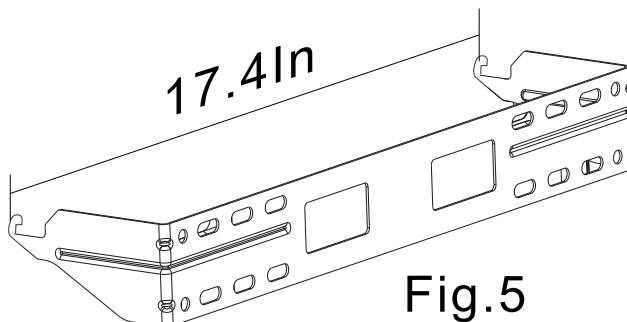


1. Determine the position on the wall of which the Tumble dryer is to be mounted on and mark the required Wall Hanging Bracket positions. A minimum of 2.8In is required between the top of the Tumble Dryer and the ceiling, for ease of installation. If mounting over a washing machine allow sufficient room to open the lid.

2. Open hanging holes on the top of the back cover by cutter(Fig.4)



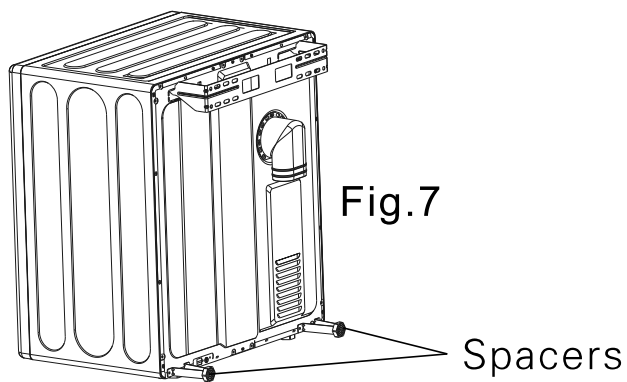
3. Fix the wall Hanging Brackets to a strong wall(Fig.5)



4. Unscrew four screws at the bottom of the back cover(Fig.6)



- Fix the Spacers on above four screw holes(Fig.7)



5. Hang the machine on the fixed wall Hanging Bracket



## Installation Instructions (cont.)

- To install the Exhaust Connector, push the Exhaust Connector into the Exhaust Vent at the back of the Tumble Dryer with the Exhaust Outlet in the direction required, as illustrated in (Fig. 8).

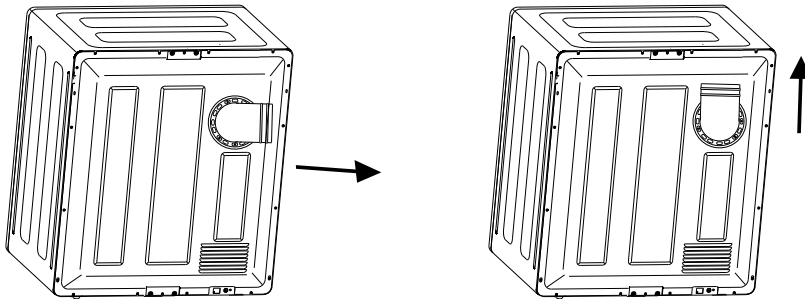


Fig.8

- With assistance, carefully mount the Tumble Dryer on to the Hanging Bracket. (Fig.9)

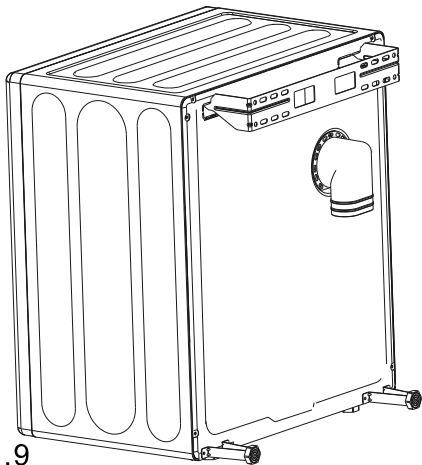


Fig.9

- Once the Tumble Dryer is properly installed, plug the electrical cord into a power outlet.

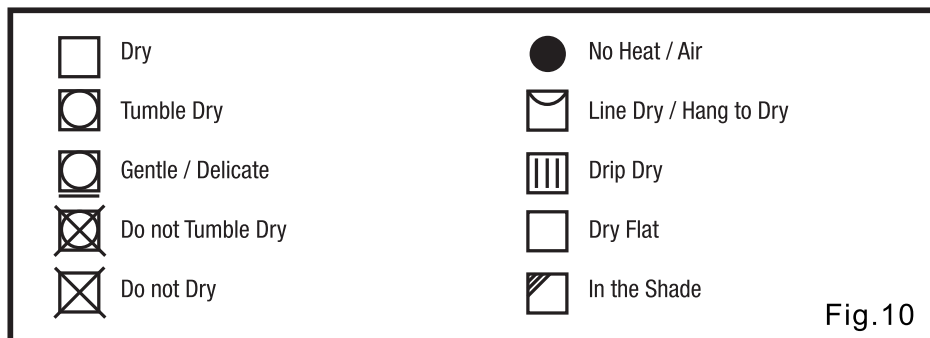
## Operating Instructions

Before using the Tumble Dryer, please carry out the following checks to ensure the Tumble Dryer is correctly installed and ready for use.

1. Check the Tumble Dryer is well balanced by using a spirit level.
2. Check there is no packaging inside the Drum or on the surroundings of the Tumble Dryer (please ensure you also check the back of the Tumble Dryer for any packaging).
3. Set the Tumble Dryer for 5 minutes to warm up the Drum.
4. Open the door between loads the first few times you use the machine to allow any odours to escape from the interior of the Tumble Dryer.

### Tips Before Drying

Look for a care label on your clothes. This will tell you if they can be safely tumble dried (Fig.10)



Do not overload the Tumble Dryer: the maximum amount of garment weight that can be dried efficiently in one load is 13LBS.

Make sure that the items to be dried do not have combustible materials or foreign objects (such as lighters, hair pins, coins) inside pockets.

Close zippers, hooks and eyes, etc. to reduce snagging and tangling.

To reduce creasing, shake clothes out and load individually to help clothes dry evenly.

To avoid items getting tangled up in the Tumble Dryer, which results in uneven drying, we recommend placing items into the Tumble Dryer one at a time.

For best results, load the Tumble Dryer with similar fabrics that take a similar period of time to dry.



## Cleaning and Maintenance

### Cleaning the Air Intake Filter

We recommend the Air Intake Filter be cleaned monthly depending on the usage of the Tumble Dryer.

- To remove the Air Intake Filter, hold the upper and lower ends of the Air Intake Shroud and pull it outwards, as illustrated below (Fig. 13).
- Remove the Air Intake Filter inside the Air Intake Shroud and carefully clean it with a soft brush.
- Re-assemble and push the Air Intake Filter back in, until it clicks into place.

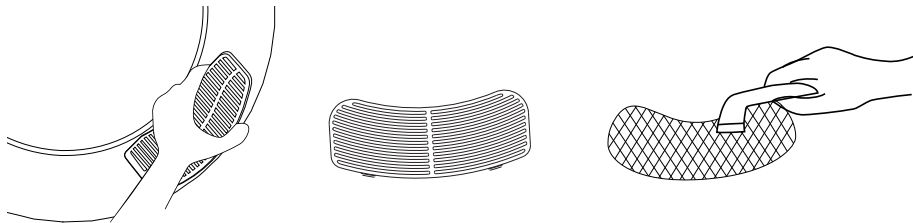


Fig.13

### Cleaning the Interior and Exterior of the Tumble Dryer

- To clean the exterior surfaces of the Tumble Dryer, only use a dry cloth, or a slightly damp cloth.
- Do not use harsh solvents, alcohol based or abrasive detergents on the Tumble Dryer.
- Do not immerse the Tumble Dryer, or directly wash the interior and exterior surfaces of the Tumble Dryer with water.
- Do not use any type of spray cleaner when cleaning the interior of the Tumble Dryer. If the Tumble Dryer Drum becomes stained, clean the Tumble Dryer Drum with a damp cloth.
- If cleaning the Tumble Dryer Drum has left any residues in the Tumble Dryer, make sure to remove it before drying the next load.



#### **CAUTION! HOT SURFACE**

Do not touch the Intake Filter during the drying cycle due to the high temperature.

## Cleaning and Maintenance (cont.)

**CAUTION:** Please unplug the Tumble Dryer by the power cord prior to any cleaning or maintenance.

To prolong the service life of your Tumble Dryer, keep it in good condition and clean the filters regularly.

### Cleaning the Lint Filter

The Lint Filter must be in place whenever the Tumble Dryer is in operation. We recommend you clean the Lint Filter before each use.

1. To remove the Lint Filter insert your fingers into the four holes that surround the Exhaust Vent Shroud and pull out the Filter Assembly. The Filter Assembly consists of three parts: the Exhaust Vent Shroud, the Lint Filter and the Exhaust Filter, as illustrated below (Fig. 14).

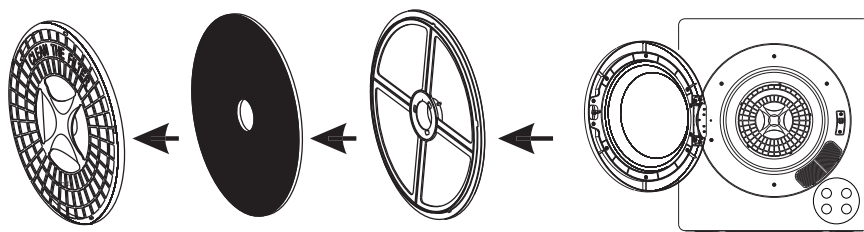


Fig. 14

2. Separate the three parts (Exhaust Vent Shroud, Lint Filter and Exhaust Filter) and use a soft brush or vacuum cleaner, to carefully clean any lint off the Lint Filter and Exhaust Filter, as illustrated below (Fig. 15).

**CAUTION:** Take care not to damage the filters.

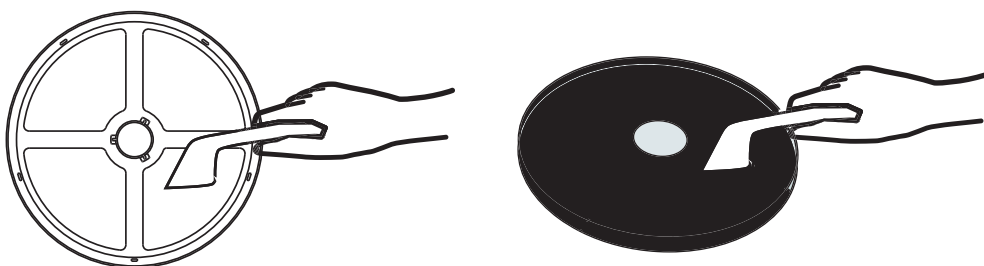


Fig. 15



## Cleaning and Maintenance (cont.)

3. After cleaning the Lint Filter, you must re-assemble the parts in the correct sequence ( Lint Filter - Exhaust Filter - Exhaust Vent Shroud), aligning the recesses in the centre with the projection in the centre of the Tumble Dryer Drum. Make sure that the Filter Assembly is firmly inserted (Fig.16).

**NOTE:** The Filter fixed on the rear of the Tumble Dryer Drum should also be carefully cleaned with a soft brush or vacuum.

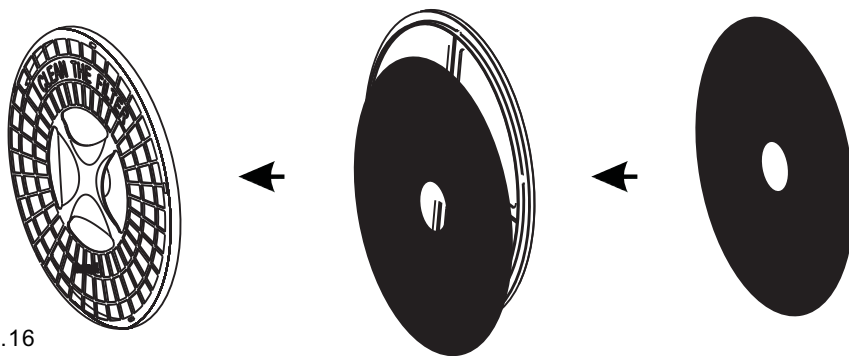


Fig.16



## Frequently Asked Questions

Problem	Possible Cause	Solution
The Tumble Dryer does not turn on?	Is the power cord inserted firmly?	Insert the power cord firmly.
Drum does not turn?	Is the Door closed?	Close the Door.
	Is the power cord inserted?	If power is switched on at the wall socket, check the socket with another appliance.
	Does the receptacle have power?	Check the power cord.
The laundry is not thoroughly dried?	Are the front and back filters clogged?	Check and clean the filter.
	Is there too much laundry in the Tumble Dryer?	Try to reduce the load being dried.
	Have items been added whilst the Tumble Dryer is in operation?	Re-dry the items again.
	Has the laundry become twisted whilst drying?	Untwist the items and re-dry.
	Has the Tumble Dryer been placed in a small and badly ventilated area?	Place the Tumble Dryer in a well ventilated area.
The Tumble Dryer does not start?	Is there a power failure?	Try again when there is power.
	Is the power cord inserted firmly?	Insert the power cord firmly.
	Is the door closed?	Close the door.



**WARRANTY:** The 12 month warranty on this product will need to be activated within 30 days of purchase, please go to our web site and click on the “Warranty” link and enter your details on the warranty screen. [www.streetwizeaccessories.com](http://www.streetwizeaccessories.com).



**Streetwize Accessories:**

Unit 1, Royce Trading Estate, Ashburton Road West,  
Trafford Park, Manchester M17 1RY

**Sales enquiries:** [sales@streetwizeaccessories.com](mailto:sales@streetwizeaccessories.com)

**Technical enquiries:** [support@streetwizeaccessories.com](mailto:support@streetwizeaccessories.com)

**Telephone:** 0161 447 8597

[www.streetwizeaccessories.com](http://www.streetwizeaccessories.com)