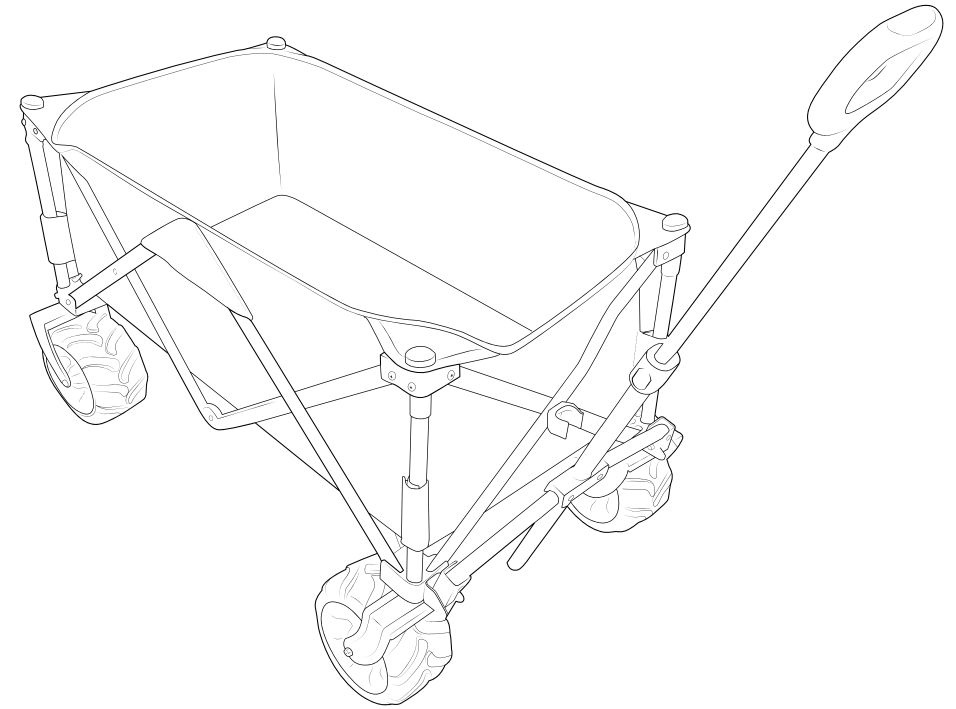


## Technical Support & Spare Parts

If you require any technical support & spare parts, please contact us on support@streetwizeaccessories.com and provide the product name and supplier code (see Technical Specifications) along with the technical query and proof of purchase.

## Technical Specifications

<b>Product name</b>	Leisurewize All-Terrain Heavy Duty Outdoor Trolley
<b>Supplier code</b>	LW680
<b>Frame material</b>	Steel
<b>Fabric material</b>	600D polyester with PE coating
<b>Max load capacity</b>	80kg



**Streetwize**, Ashburton Road West,  
Trafford Park, Manchester, M17 1RY

### For Product Support:

**E:** support@streetwizeaccessories.com

**T:** +44 (0)161 447 8597

### For Trade Enquiries:

**E:** sales@streetwizeaccessories.com

**T:** +44 (0)161 447 8580

**EU Regd. Address:** Ace Supply Co (Europe) Ltd. D02 A098, R01

[www.streetwizeaccessories.com](http://www.streetwizeaccessories.com)



LW680

# All Terrain Heavy Duty Outdoor Trolley

Information for use

## Intention For Use

Thank you for purchasing this outdoor trolley from Leisurewize. This product has a range of uses. Its durable steel frame allows it to carry a maximum load of 80kg and it comes with wide wheels for navigating in a bumpy terrain.

It is ideal for transporting items (including luggage) in caravan parks, motorhome parks and camping sites and beaches. This outdoor trolley is also suitable for gardeners for carrying plants, garden waste and gardening equipment.

## Product Elements

1. Folding trolley frame
2. Trolley fabric
3. 4 x bolts
4. Base mat
5. Storage bag for fabric

## Assembly

To assemble the trolley, please follow the instructions below:

1. Carefully remove the trolley and the fabric out of the packaging.
2. The trolley frame will come folded. To unfold, stand the folded trolley upright and ensure the wheels are correctly positioned (see Figure 1).
3. Then pull apart the trolley as far as you can (see Figure 2). Then press the joint component of the frame base (Figure 3) to secure the frame in place.
4. Then place the trolley fabric onto the frame, making sure the top corners of the frame align with the pre-drilled holes and side pockets of the fabric fit on the frame (see Figure 4). Then place the base mat inside the trolley. Figure 5 shows fabric and mat in place.
5. Secure the hook & loop straps on edge of the trolley (see Figure 6)
6. Using the supplied four bolts, secure the fabric in place via the corners (Figure 7 & 8).
7. To extend the handle, press on both sides of the latch and pull the handle once it locks into place.



Fig. 1



Fig. 2

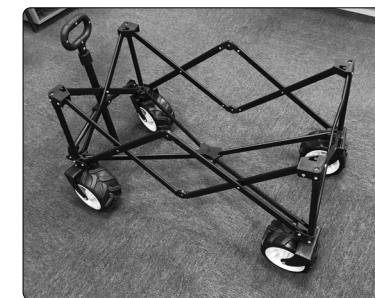


Fig. 3



Fig. 4



Fig. 5



Fig. 6



Fig. 7

## Folding the Trolley for Storage

To fold the trolley, first remove the fabric and then reverse the steps to fold the trolley. Then fold the fabric and base mat into the carry bag.

## Cleaning & Maintenance

Use a clean and damp cloth to wipe clean both the fabric and frame.

## Health & Safety Guidelines

- This product is not a toy. Please keep children supervised at all times when using the product.
- Avoid getting fingers trapped in the frame when unfolding the product.
- Keep the fabric away from naked flames