

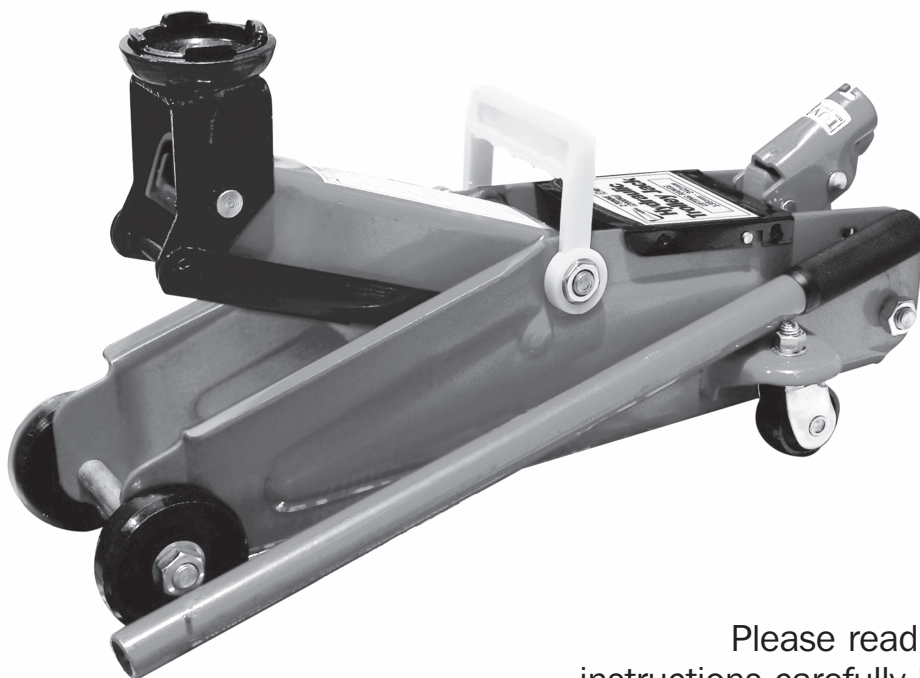


2 Tonne (2000Kg)

SW2TJCB &
SW2TJBM

Hydraulic Trolley Jack

Operating Instructions



Please read these instructions carefully before operating this equipment and retain for future reference





Operating Instructions:

Safety Warning

This trolley jack is designed for lifting purposes only and must not be used to support a load over an extended period of time. Do not exceed the rated lifting capacity of **2 TONNES** and NEVER work under a vehicle that is only supported by the jack, use axle stands. A preset overload valve is fitted which should not be adjusted.

Preparation for use

Place the handle into the operating lever. The hydraulic unit reservoir has been filled at the factory and should be ready for immediate use. However, it is possible that air may have become trapped in the system during shipment and could affect performance.

To bleed air from the system:

1. Remove the cover-plate by loosening the nuts on either side. Remove the oil filler rubber bung on top of the reservoir body.
2. Open the release valve by turning the jack handle counter-clockwise and operate the pump rapidly several times to expel any trapped air.
3. With the lifting arm in the lowest position and the jack on a level surface, the oil level should just cover the flat plate visible through the oil filler hole. The correct oil is hydraulic oil, grade SAE 10, as used in auto-transmissions or power steering units.

Always use clean oil of the correct grade and do not mix oils as serious internal damage may be caused to the jack.

4. With the oil at the correct level, refit the oil filler rubber bung and tighten the release valve. The jack is now ready for use.

Using the Jack

Make sure that the jack is used only on hard, level surfaces. Put the vehicle into gear, or with automatic transmissions, select 'Park'. Ensure that the handbrake is fully applied and wheels are securely chocked.

Place the jack so that the saddle will contact a suitable lifting or support point on the vehicle and ensure that the jack is positioned so that it cannot slip. Turn the jack handle fully clockwise to close the release valve, then operate the jack handle to raise the saddle. Check to ensure correct positioning before taking up the load.

Raise the vehicle to the desired height and transfer the load to axle stands. To lower the jack, open the release valve very slowly by turning the jack handle counter-clockwise.

NEVER ATTEMPT TO WORK UNDER A VEHICLE THAT IS ONLY SUPPORTED BY THE JACK, BE SAFE, USE AXLE STANDS, (see Diagram 1, for guidance)





Maintenance

Use only good grade hydraulic oil, grade SAE 10, as used for power steering units and automatic transmissions. Do not use other types of oil or mix oils.

Topping Up

With the jack on level ground and the saddle fully lowered, clean the area around the oil filler rubber bung to avoid any contamination with dirt or foreign matter. Remove the bung and fill the reservoir until oil covers the flat plate visible through the filler hole. Replace the rubber bung.

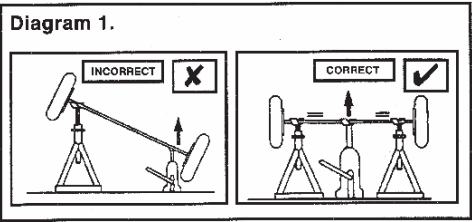
Replacing the Oil

Better performance and longer life of components will be achieved by renewing the oil supply at regular intervals (once a year). To drain the oil, remove the oil filler rubber bung and the release valve. The unit can now be drained. Great care should be taken to avoid contaminating the system with dirt or grit. Replace the release valve and refill the reservoir so that oil covers the flat plate visible through the oil filler hole. Bleed any trapped air in the system as described in the 'Preparation for use' section.

PLEASE DISPOSE OF YOUR WASTE OIL AT A RECYCLING CENTRE. DO NOT CONTAMINATE DRAINS AND WATERCOURSES OR DISPOSE OF WASTE OIL IN NORMAL DOMESTIC WASTE.

GENERAL MAINTENANCE

Check both the operating ram and the pump piston every three months for any sign of rust or corrosion. Clean as needed and protect the exposed surfaces with oil or grease. Lubricate all pivot points, wheels and castors.



TROUBLESHOOTING

SYMPTOM	POSSIBLE CAUSE	REMEDY
Jack will not lift.	Lack of oil in system. Release valve not fully closed. Faulty power unit or badly worn seals.	Fill to correct level. Close the valve tightly. Service, or change the power unit.
Jack only lifts part way.	Low oil level.	Fill to correct level.
Jack lifts but will not support the load.	Release valve not fully closed. Power unit seals worn. Release valve stuck.	Close the valve tightly. Service, or change the power unit. Support the load securely & clean the release valve assembly.
Jack will not lower.	Air in the hydraulic system. Oil level too high.	Remove the rubber bung, bleed the system & replace the rubber bung. Drain off the surplus oil.
Poor or erratic lifting.	Defective pump seals or valves not seating. Dirty oil. Air in the hydraulic system	Service or change the power unit. Drain & clean the system. Refill with clean oil of the correct type. Bleed the air from the system.





Technical Data

Maximum Weight:	2 Tonnes (2000Kg)
Lifting Range:	135mm - 330mm
Size:	439mm (L) x 190mm (H) x 135mm (W)
Product Weight:	8.40Kg



Streetwize Accessories:

Unit 1, Royce Trading Estate, Ashburton Road West,
Trafford Park, Manchester M17 1RY

Sales enquiries: sales@streetwizeaccessories.com

Technical enquiries: support@streetwizeaccessories.com
www.streetwizeaccessories.com