

120cm Aluminium Anti-Theft Lockable **Universal Roof Bars** FOR VEHICLES WITH ROOF RAILS FITTED AS STANDARD

MAXIMUM LOAD FOR ROOF BARS 90KG.

ROOF RAILS MUST HAVE CLEARANCE BENEATH THE BAR

(AS ILLUSTRATED BELOW) FOR THEM TO FIT SECURELY TO A VEHICLE.

MAXIMUM SPEED WHEN ROOF RAILS ARE IN USE 55MPH.



FITTING INSTRUCTIONS

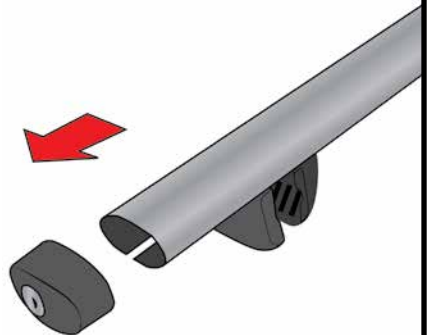
IMPORTANT: Read and understand these mounting instructions carefully before using the universal roof bars, and retain for future reference.

Please ensure you have the following items, in order for you to fit these roof bars correctly.

- Roof bars x2
- Allen key
- Spare keys x2



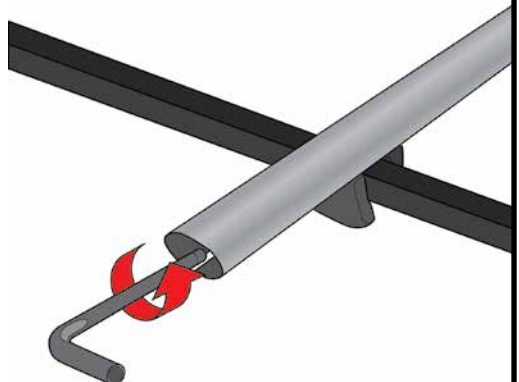
- Unlock and carefully remove the end caps on both bars.
- Unlock the mounting brackets on both bars (the red guard moves, opening allen key hole).
- Loosen the mounting bracket to open the gripping arms and slide them onto the vehicles roof rails.



These roof bars require roof rails with clearance below the rail to fit securely.

- When the mounting bracket is mounted on the roof rail, tighten with the allen key until the bracket is tight to the roof rail.

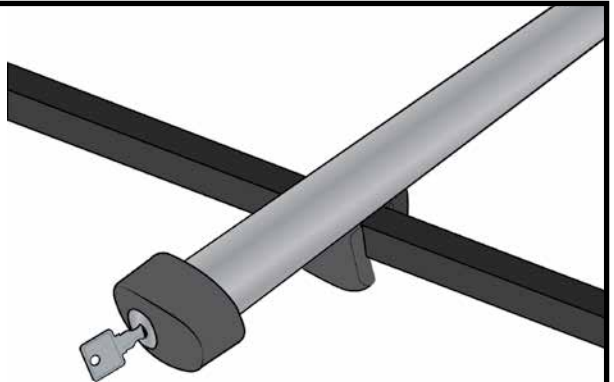
Ensure they will not move along the rail when pushed, repeat with all brackets.



- Ensure that there is a minimum distance of 700mm (27.5") between the roof bars when mounted on the roof rails.



- When both roof bars are connected correctly, secure them by locking with the security keys.

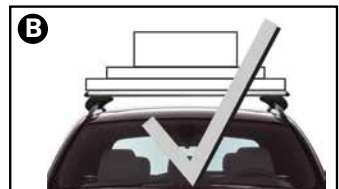


Please ensure any loads are secured correctly and safely and weight is distributed evenly (A) with a low centre of gravity (B).

Ensure that load does not protrude past the width of the roof. For long loads (C) with a risk of lifting at speed (surf or sailboard etc), secure the ends using buckle or ratchet tie-downs to the vehicle's bumpers or tow-points as appropriate.

Do not exceed the length of the vehicle.

Do not exceed a maximum speed of 55mph.



IMPORTANT INFORMATION:

WARNING: PLEASE REFER TO VEHICLE MANUAL TO ESTABLISH THE VEHICLE MANUFACTURERS MAXIMUM ROOF LOAD. MAXIMUM LOAD FOR THESE ROOF BARS COMBINED IS 90KG (INC. PRODUCT WEIGHT). DO NOT EXCEED EITHER OF THESE LIMITS AS THIS MAY DAMAGE THE VEHICLE ROOF.

WARNING!

■ To prevent the vehicle's roof from being damaged, it is advisable for two persons to fit and remove the Roof Bars. After an initial short journey IT IS ESSENTIAL that a check MUST be made to ensure that all the fittings are tightened and secured. The Roof Bars should then be inspected at regular intervals during travel to ensure load safety at all times.

■ When the Roof Bars are in use, the vehicle's stability may be affected. Special care MUST be taken when driving in strong winds and when approaching bends or other road hazards. Please refrain from accelerating and braking sharply. Once the vehicle is in motion, the airflow will try to lift the front of any load, so it is essential that a secure fixing is made, holding the front of the load down is most important (extra straps may be required - not provided). Also the vehicle's stopping distance is longer than when in normal use.

■ It is ESSENTIAL that the load is secured correctly and securely and that this weight is distributed evenly over both bars and has a low centre of gravity. Please refer to the vehicle operation manual for any special requirements for using roof bars. Always ensure that loads are securely attached and do not over hang as this may become dangerous and cause accidents with other motorists.

■ Use an adequate number of quality buckle or ratchet tie downs to secure your load (elasticated ropes must NOT be used). In case of long loads secure the ends of the load with buckle or ratchet tie downs to the vehicles bumpers or towing point.

■ It is recommended that regular checks be made on the Roof Bars and buckle/ ratchet tie downs to maintain them in good working order.

■ Where specialised accessories are available for carrying or securing loads, these should be used (for example cycle carriers).

■ Do not exceed 55mph with a load on the roof bars.

ALWAYS REMOVE THE ROOF BARS IF YOU INTEND TO USE A DRIVE THROUGH CAR WASH! TO REDUCE FUEL CONSUMPTION IT IS ADVISABLE TO REMOVE THE ROOF BARS WHEN THEY ARE NOT USED. STREETWIZE ACCESSORIES DECLINES ALL LIABILITY FOR DAMAGE DERIVING FROM THE VEHICLE HAVING BEEN DRIVEN AT HIGH SPEED, FROM HAVING BEEN DRIVEN INCORRECTLY, OR FROM THE LOAD HAVING BEEN BADLY POSITIONED OR FIXED. PLEASE LOOK AFTER YOUR TWO SECURITY KEYS AS FOR SECURITY REASONS SPARE KEYS ARE NOT AVAILABLE.

Streetwize Accessories

Unit 1, Royce Trading Estate, Ashburton Road West,
Trafford Park, Manchester M17 1RY

Sales enquiries: sales@streetwizeaccessories.com

Technical enquiries: support@streetwizeaccessories.com
www.streetwizeaccessories.com