



# Dash Cam with 2.5" flip screen

SWREC1

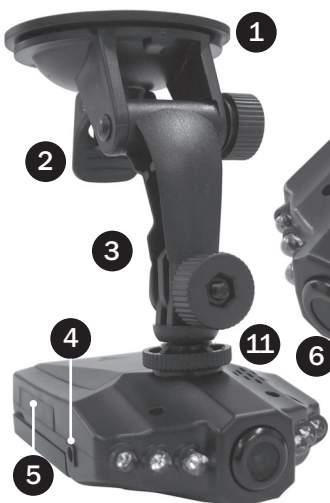


Please read and understand these instructions carefully before operating this Dash Cam.

**Please Note:** The internal battery for this Dash Cam is for playback and storing the system settings only. The Dash Cam must be powered by the 12V power cable supplied or hard wired to the vehicle power supply to record any journeys.

## Product Features:

|                          |  |                   |
|--------------------------|--|-------------------|
| Mode:                    | Video  | Recorder / Camera |
| Video format:            | AVI (Video) & JPEG (Image)                   |                   |
| Video resolution:        | 1080 (P), 720 (P), VGA.                      |                   |
| Screen:                  | 2.5" LCD flip down screen with 270° rotation |                   |
| Lens                     | 120° wide angle lens                         |                   |
| Power input:             | DC5V or 12v/24v                              |                   |
| Power Source:            | Li-Ion 800mAh 3.7V battery                   |                   |
| Interface:               | USB2.0                                       |                   |
| Light Frequency Setting: | 50HZ/60HZ                                    |                   |
| Memory Support:          | SD card, up to 32GB (Not Supplied)           |                   |
| Size:                    | 106 x 61 x 33 mm                             |                   |
| Weight:                  | 120g (DVR only)                              |                   |



1. Suction cup mount.
2. Suction cup lever.
3. Adjustable mount.
4. DC 5v socket.
5. SD card slot.
6. Lens.
7. Infrared LED's.
8. USB 2.0 Socket.
9. Adjustable mount fixing point.
10. Battery compartment.
11. Adjustable mount screw-in point.

## Insert memory card:

**A memory card is required to save recordings. CAREFULLY Insert an SD card (not supplied) into the SD card slot (5).**

## Charging:

The device has a rechargeable battery that must be fully charged and used until flat, for the first THREE occasions to achieve maximum battery capacity. Charging time 12 hours (approx).

## Charging Process

1. Removed the cover of the battery compartment and insert the battery.
2. Replace the battery compartment cover.
3. Plug the 5v cable into the 5v cable port (5), and insert into a vehicle 12v power socket to begin charging. Alternatively connect the video journey recorder to a pc or laptop via USB cable supplied to begin charging.
4. Charging process will begin, the camera will automatically switch on and start recording. Press the RECORD/OK button to stop recording. Charging will continue until fully charged.

The LED on the RECORD/OK button will light up to indicate charging.

## Mounting the suction cup bracket

**Caution! When mounting the camera always make sure the unit does not obstruct the drivers view, and that the charging cable does not interfere with driving.**

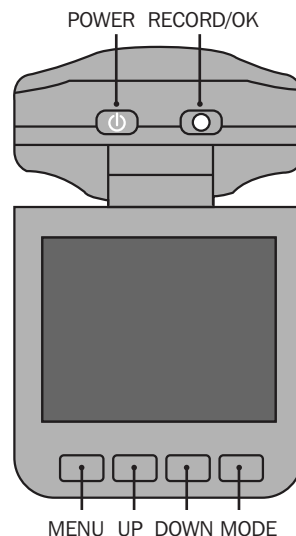
1. Attach the suction cup bracket to the unit in the threaded hole (9) on the camera, lock in place using the screw (11)
2. Release the lever (2) on the suction cup bracket (1) .
3. Place the suction cup bracket (1) in a suitable location on the windscreen and lock using the lever to secure.
4. Using the screws on the joints adjust the camera to point in the desired direction.

## Video (Standard Mode)

Charging process will begin, the camera will automatically switch on and start recording. Press the RECORD/OK button to stop recording. Press the RECORD/OK button again to resume recording.

Switching modes

1. Press the POWER button to turn on the device.
2. The mode is defaulted to video recording when first activated. Press the RECORD/OK button to begin recording, press the RECORD/OK button again to pause the recording and save files automatically.



3. Press the MODE button to select the mode - “photo, audio recording, playback and video recording”.
4. Press the POWER button and hold for 3 seconds to turn off the device when it is in pause mode.

## Function Keys

Video Recording/Photo/Playback

|           |  |
|-----------|--|
| POWER     | To turn off or on the device                   |
| RECORD/OK | To confirm the mode you select                 |
| MENU      | Shows all menus                                |
| UP        | Go up through menu                             |
| DOWN      | Go down through menu                           |
| MENU      | Switch modes among photo, video recording etc. |

## MENU SETTINGS

### Video/System Setting:

POWER on, press MENU to enter menu setting when it is video recording mode. Then choose the required video setting and press RECORD/OK button to confirm.

Video Settings - First Menu

1. Video Format: 1280x720, 640x480.
2. Video Time Stamp: select with or without time stamp.
3. Motion detection: On/Off. The device will start to record automatically when motion is detected. During recording, the device will save a video every 2 minutes automatically. When there is no object moving for 2 minutes, the camera enters standby mode and will restart when object moves again.
4. Continuous recording: turn on/off.
5. Recording Time: allows different recording times, 1, 3 or 5 mins in length.
6. Sound/Voice Record: turn on/off.

Video Settings - Second Menu

1. Format. Language (English Only)
2. Date input (Day, Month, Year & Time)
3. USB disk drive, PC cam, Disk drive.
4. Automatic System off 1min, 3min or 5min
5. System reset.
6. Light frequency 60hz 50hz

**After selection of any of the above settings click RECORD/OK button to confirm, then press MENU to exit.**

### Picture setting:

Power on: Press MODE button to enter picture mode. Press MENU button to enter the menu setting and then press MODE to select.

1. Photo size: 2592x1944 / 2048x1536 / 1600x1200 / 1280x1024.
2. Picture quality: very good / good / normal.
3. Picture mode: turn off / 2s auto / 10s auto / continuous
4. Exposure: exposure luminence adjustment.
5. Date stamp: Turn off / date / time.

After selection of any of the above settings click RECORD/OK button to confirm, then press MENU to exit.

### Playback setting:

Power on, press MODE button twice to enter the audio recording mod.

1. File locking: Lock / Unlock single / Lock up / Unlock all.
2. File deletion: Delete single / delete all.
3. Slideshow: Start / 2S intervals / cycle / yes.
4. Voice memo: Add / Delete.
5. Setting as theme power up image: Yes / No.

After selection of any of the above settings click RECORD/OK button to confirm, then press MENU to exit.

### System Setting:

Power on, press MENU button to enter the menu setting when it is in video recording mode.

1. Sound Setting:

Shuttersound,: On/Off.

Power on sound: Choose 1 of 3 / Off.

Keypad tone: On/Off.

Volume: 0 to 3.

- 2 Power Frequency: 50Hz / 60Hz

3. Auto power off: 1 min, 3 min, 5 mins.

Screen Saver: Turn Off. 10 seconds, 20 seconds, 30 seconds.

5. Date and Time Setting Month/Day/Year. Hour/Min.

6. Language (English Only).
7. TV systems: NTSC / PAL
8. Theme power up image, turn off, system, caution.
9. Formatting: Yes / No.
10. Reset to defaults Yes / No.
11. Version information.

After selection of any of the above settings click RECORD/OK button to confirm, then press menu to exit.

### **Operation:**

Getting started and continuous recording.

1. Press the POWER button to enter the video recording mode. A red recording icon will be displayed in the top left of the video screen
  2. Press the RECORD/OK button to start video recording.
- Continuous recording: During recording the device will save each video file automatically. When the SD card (not supplied) is full, the camera will automatically re-record over the oldest file.

### **Picture mode:**

1. Press the MODE button to choose the picture mode. The upper left hand corner of the screen will display an icon.
2. Press RECORD/OK button to take pictures.
3. Self timer and other pictures:

Press the MENU button in picture mode, press the DOWN/UP button to select timer, press RECORD/OK button to select. Repeat steps above to change the settings for picture quality, metering mode, flash and exposure settings. Press the MENU button to exit.

### **Auto recording mode:**

1. Press the RECORD/OK button to start. Press the RECORD/OK button again to stop recording and save the audio file. Press the DOWN button to pause or begin recording again.

### **Playback mode:**

1. Press the MODE button three times to enter playback mode. The upper left corner of the screen will display 'playing'.

2. Press the DOWN/UP button to choose the file.
3. Press the RECORD/OK button to playback the file.
4. Press the DOWN button to stop or start again.

### **Deleting:**

1. Press the MENU button in playback mode.
2. Press the DOWN/UP button to select the file.
3. Press the RECORD/OK button to delete the file.

Follow the same steps as above to change the settings for Slide shows/special effects/rotation/set boot screen.

### **PC Camera Mode:**


Easy connection with PC's/laptops, no software required.

1. Connect the device to a computer using the USB cable supplied.
2. Press the DOWN/UP button to choose the mode:

MSDC: is a computer interface between a computer and camera which shows the camera as a removeable disc drive on the computer.

PC cam: a web cam is a video camera which feeds an image in real time to a computer via a USB connection.

Recording mode: Press the RECORD/OK button to start recording.

The WEEE symbol  on this product means that this product should be ethically dismantled or recycled to minimise environmental impact.

Please check with your local authority for more information.



**WARRANTY:** The 12 month warranty on this product will need to be activated within 30 days of purchase, please go to our web site and click on the "Warranty" link and enter purchase details on the warranty screen. [www.streetwizeaccessories.com](http://www.streetwizeaccessories.com).

**Streetwize Accessories:**

Unit 1, Royce Trading Estate, Ashburton Road West,  
Trafford Park, Manchester M17 1RY

**Sales enquiries:** [sales@streetwizeaccessories.com](mailto:sales@streetwizeaccessories.com)

**Technical enquiries:** [support@streetwizeaccessories.com](mailto:support@streetwizeaccessories.com)

**Telephone:** 0161 447 8597

[www.streetwizeaccessories.com](http://www.streetwizeaccessories.com)



**M17 1RY**