



SWRAMP

Single Folding Loading Ramp

Max load
300kg

Dimensions (unfolded)	230cm (L) x 28cm (W) x 5cm (D)
Dimensions (folded)	115cm (L) x 28cm (W) x 10cm (D)



Please read and understand these instructions before use and retain for future reference.



Intention for Use:

Thank you for purchasing this Streetwize Single Folding Loading Ramp. This product is intended for loading motorcycles & scooters onto trucks, vans or trailers. It has a maximum load weight of 300kg. This loading ramp is also suitable for loading ATVs, but this will need another folding loading ramp.

This ramp should never be used for the loading of heavy vehicles such as cars, 4x4s, vans, trucks and any other vehicles that weigh more than the maximum load that this product is able to support. Also, the loading ramp should not be used for loading onto cars or 4x4s.

Before using this product, we advise that you read all the information and guidelines in this document.

Product Contents:

Streetwize Single Folding Loading Ramp

Safety strap with S-Hook

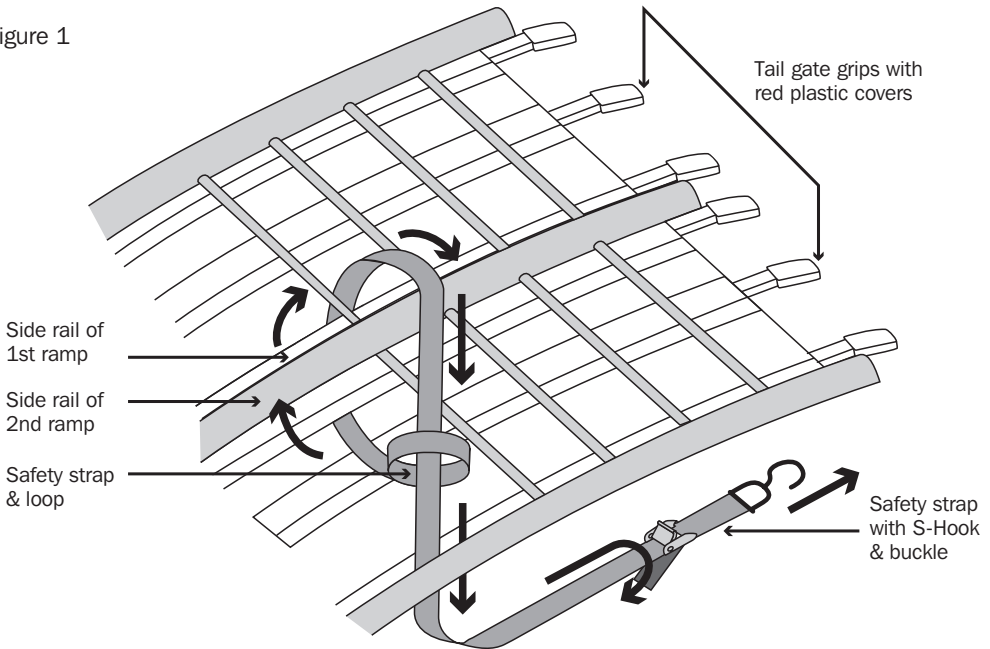
Safety strap with loop

Directions For Use:

1. Remove the Streetwize Single Folding Loading Ramp from its packaging. On the first use, the ramp will be clean and dry. **However, on next use and subsequent uses, please ensure the surface of the ramp is dry and clean, and is free from oil or grease.**
2. Park the vehicle you want to load on a flat and firm ground. Ensure the vehicle is PARKED and the handbrake is ON and the engine is turned OFF.
3. Fully unfold the loading ramp.
4. Place the end of the ramp **with the red grips** on the tailgate of the vehicle or trailer and the other end on the ground. **When placing the ramp, ensure the end of the ramp with the red grip is pointing downwards as this will ensure the ramp will grip onto the tailgate.**
5. Secure the ramp in place using the provided safety straps. When using the safety straps, use the strap with the loop end and secure it around the one of the rungs/bars on the ramp, ensuring the strap goes through the loop.
6. Then, insert the non-loop end of the strap into the buckle of the safety strap with the S-hook. Ensure the strap is securely fastened into the buckle.
7. Once done, use the S-hook to secure the ramp to underneath part of the vehicle/truck/trailer's bumper.
8. If you need to secure another ramp to increase the width, use the provided safety strap to secure into place (see figure 1) and hook it into place with the S-hook as explained in the previous step.



Figure 1



Loading Guidelines for Motorcycles

1. Two or more people are recommended for when loading a motorcycle
2. Never ride the motorcycle up or down the loading ramp.
3. When loading, slowly push the vehicle up the ramp.
4. Always ensure the tyres are centered on the ramp at all times.
5. The operator must remain in control of machinery at all times during loading and unloading.
6. Acceleration must be slow and controlled when loading.
7. Use the brake when necessary when unloading. Any sudden or erratic braking or accelerating will cause the ramp(s) to pull away from the tailgate/trailer or lead to damage of the ramp.

Loading Guidelines for ATVs

1. Always have a second person present to spot/support the rider when loading.
2. Slowly drive the ATV up the ramps.
3. Always ensure the tyres are centered on the ramp(s) at all times.
4. The operator must remain in control of machinery at all times during loading and unloading.
5. Use the brake when necessary when unloading. Any sudden or erratic braking or accelerating will cause the ramp(s) to pull away from the tailgate/trailer or lead to damage of the ramp.



Health and Safety Guidelines

1. Do not exceed the maximum load weight of this loading ramping (Max load 300kg).
2. This product is not a toy and should never be used by children.
3. Never jump on the loading ramp when secured in place.
4. Never use the loading ramp as a makeshift ladder. This product is only intended to be used as a loading ramp.
5. Always use the supplied safety strap when securing the loading ramp. Never load or unload without the safety strap in place.

Manufacturer's Warranty

This product comes with a 12 month manufacturer warranty which starts on the date of purchase. The warranty covers technical faults during the 12 month period. Any issues caused by accidental damage or wear and tear is not covered by this 12 month manufacturer warranty.

If you require any technical support within the warranty period, please contact us on

support@streetwizeaccessories.com

and provide product name and supplier code (see Technical Specifications) along with the technical query and proof of purchase.

Technical Specifications

Product	Streetwize Single Folding Loading Ramp
Supplier code	SWRAMP
Maximum load	300kg
Material	Aluminium
Dimensions (unfolded)	230cm (L) x 28cm (W) x 5cm (D)
Dimensions (folded)	115cm (L) x 28cm (W) x 10cm (D)

Streetwize Accessories:

Unit 1, Royce Trading Estate, Ashburton Road West, Trafford Park, Manchester M17 1RY

EU Registered address: **The Ace Supply Co (Europe) Ltd.**, 25 Herbert Place, Dublin 2, D02 A098 Republic of Ireland.

Technical enquiries: support@streetwizeaccessories.com **Telephone:** 0161 447 8597
www.streetwizeaccessories.com