



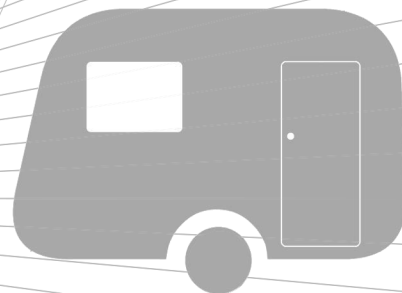
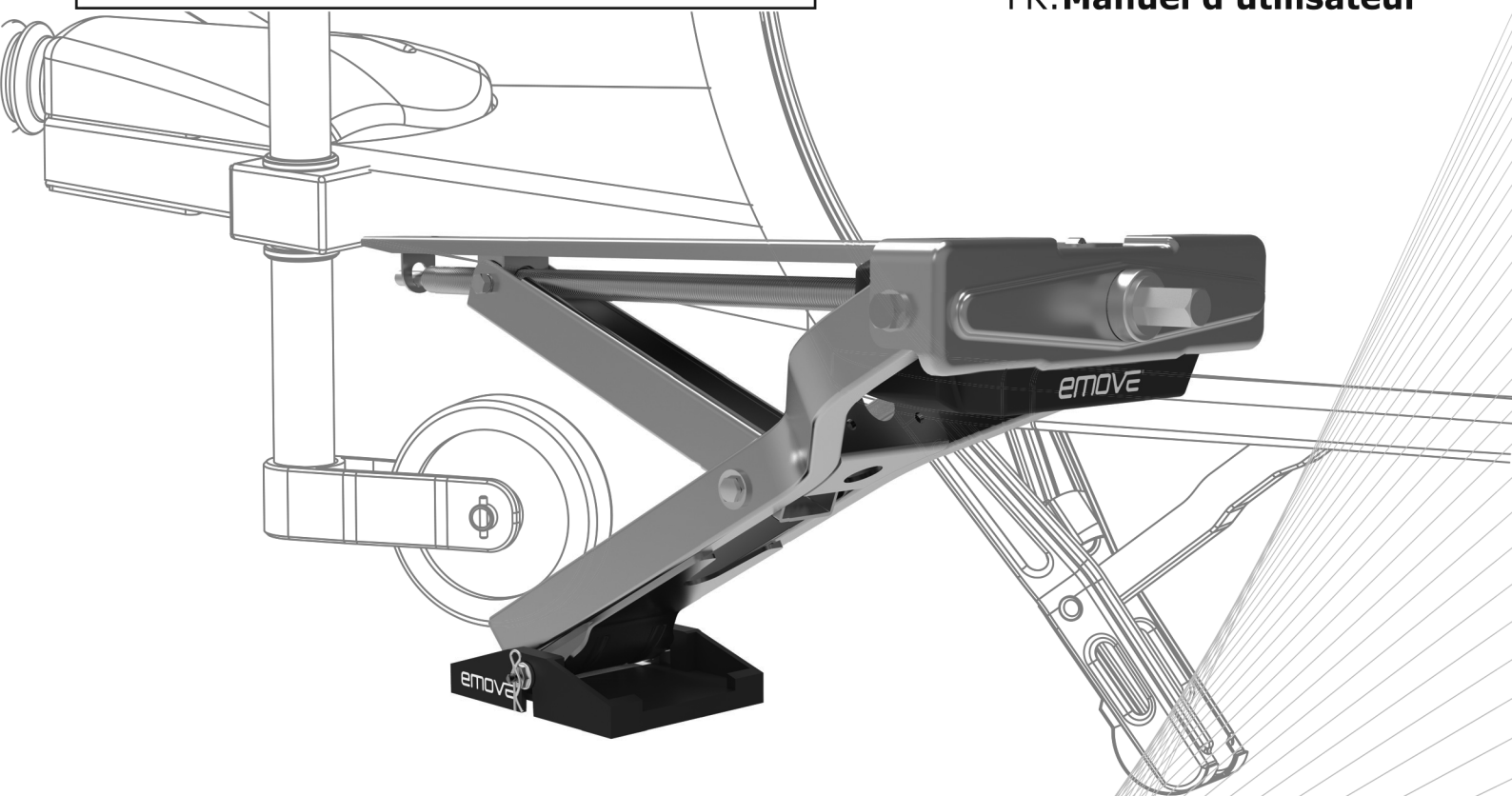
EMOVE

Finding Level

Model Number: EM306
Model: EM306
Modellbezeichnung: EM306
Numéro de type: EM306

UK **For Professional Installation Only**
NL **Alleen voor professionele installatie**
DE **Nur für professionelle Installation**
FR **Pour l'installation Professionnelle Seulement**

UK: **User Manual**
NL: **Gebruikers Handboek**
DE: **Bedienungsanleitung**
FR: **Manuel d'utilisateur**





EC DECLARATION OF CONFORMITY

Product: Manoeuvring & Levelling Device for Caravans

Model No: EM306

Manufacturer: The Ace Supply Company Ltd T/A Streetwize Accessories

Address: Unit 1, Royce Trading Estate, Ashburton Road West, Trafford Park, Manchester M17 1RY

This declaration is issued under the sole responsibility of the manufacturer.

The object of the declaration described above is in conformity with the relevant EC Directives:

2014/53/EU RE Directive

2014/30/EC EMC Directive

2006/42/EC Machinery Directive

2011/65/EU RoHS Directive

ECE-R10

Conformity is shown by compliance with the applicable requirements of the following standards:

EN300 220-1

EN300 220-2

EN301 489-1

EN301 489-3

EN 62311

EN ISO 12100

ECE-R10.05

Technical Data

Remote Control Frequency Class 1 Frequency 868 MHz <20mA

Operational Voltage 12v DC Current Consumption Average 20A maximum 100A

Power Transmitted 6.345 dBm

Area of operation Single axle caravan with a total weight up 2250kg on hard / flat surfaces

1800kg on other surfaces,

1450kg on 18% gradient

Min. permissible overall weight caravan 800kg

Max. permissible overall weight caravan 2000kg

Speed approx: 9cm per second

Weight approx: 34kg

Signed for and on behalf of: The Ace Supply Company Ltd T/A Streetwize Accessories

Place of Issue: Manchester

Date of Issue: 10/09/2019

Name: Lesley Cooper

Position: QC Manager

Signature:

Verpakkingsinhoud / Paketinhalte
Package Contents / Contenu du colis

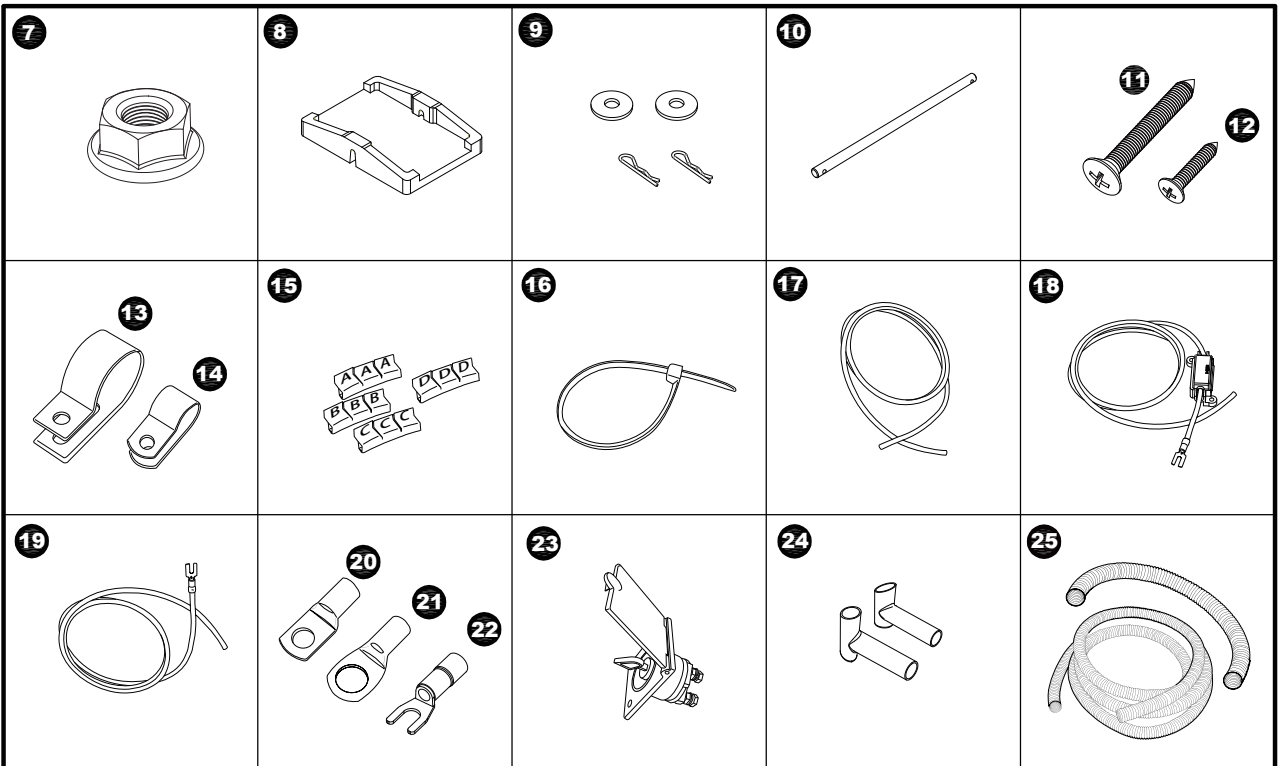
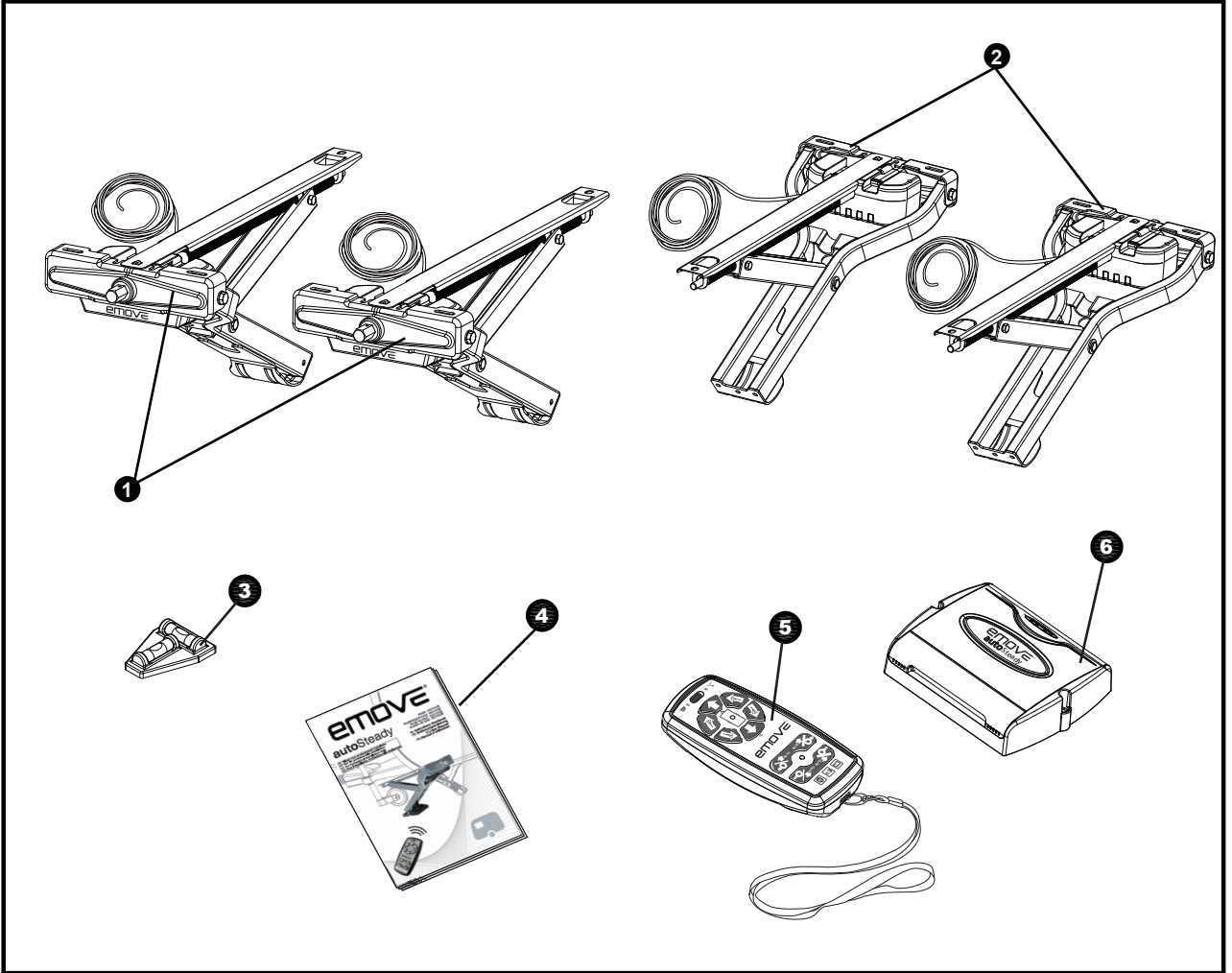


Fig. 1 AS201A

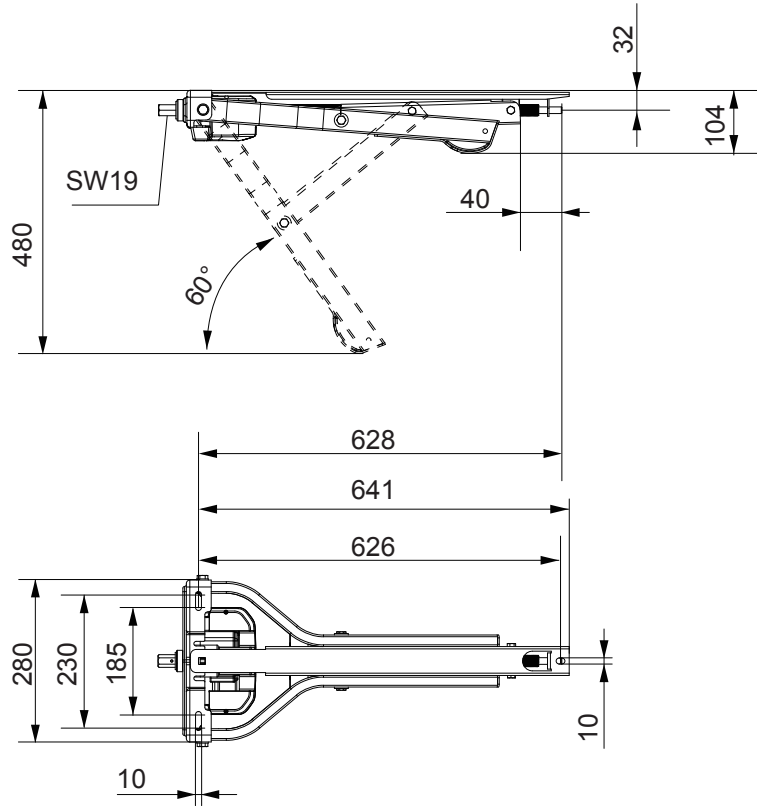
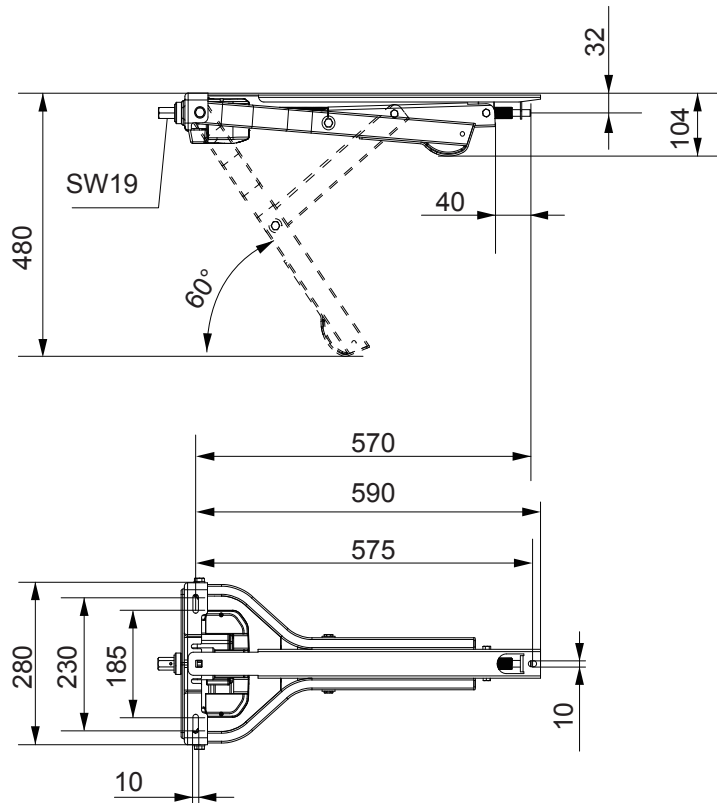


Fig. 1 AS201B



Onderdelen en montagetekeningen/Bezeichnung der Teile & Montageschaubild
Parts identification & Fitting Diagrams/Partie l'identification-Diagrammes convenables

Fig. 2

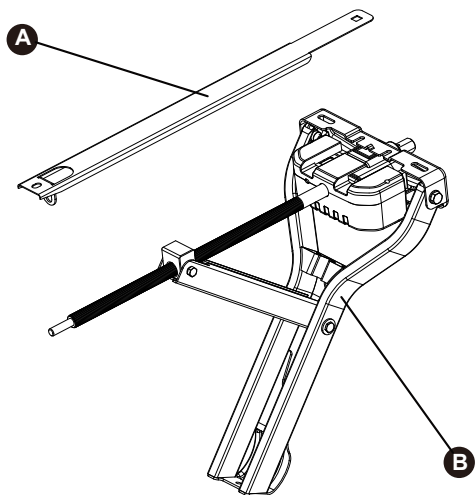


Fig. 3

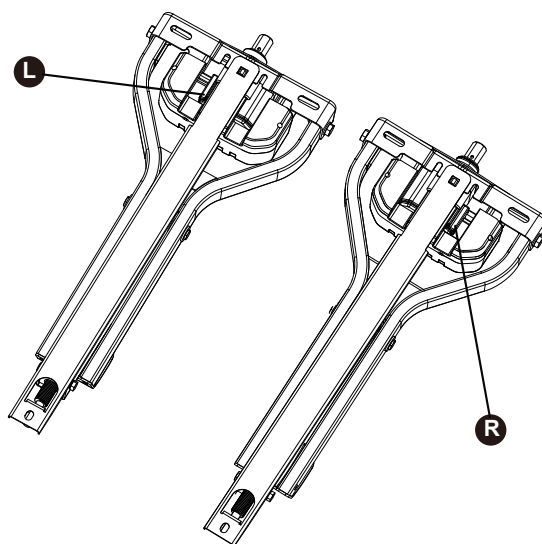


Fig. 4

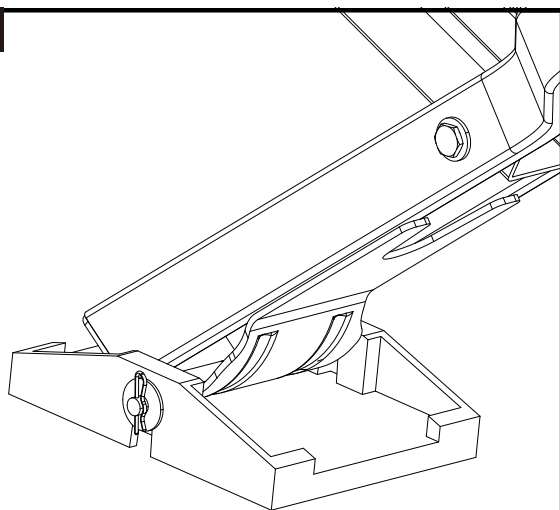


Fig. 5

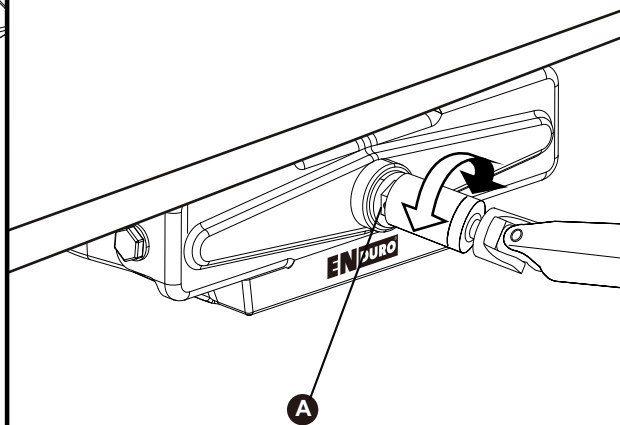
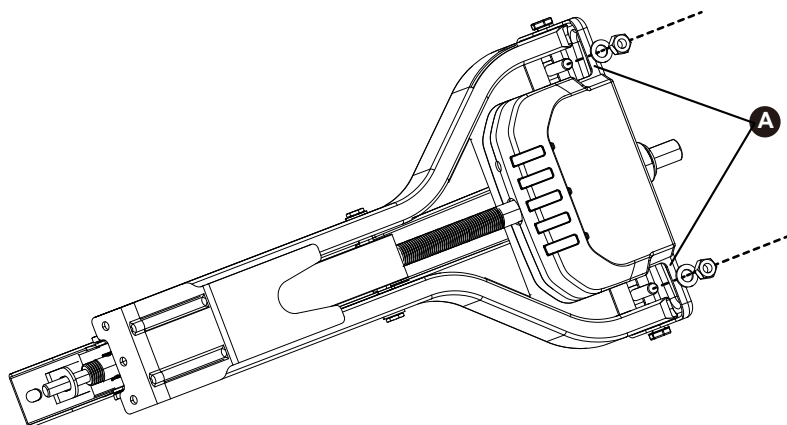
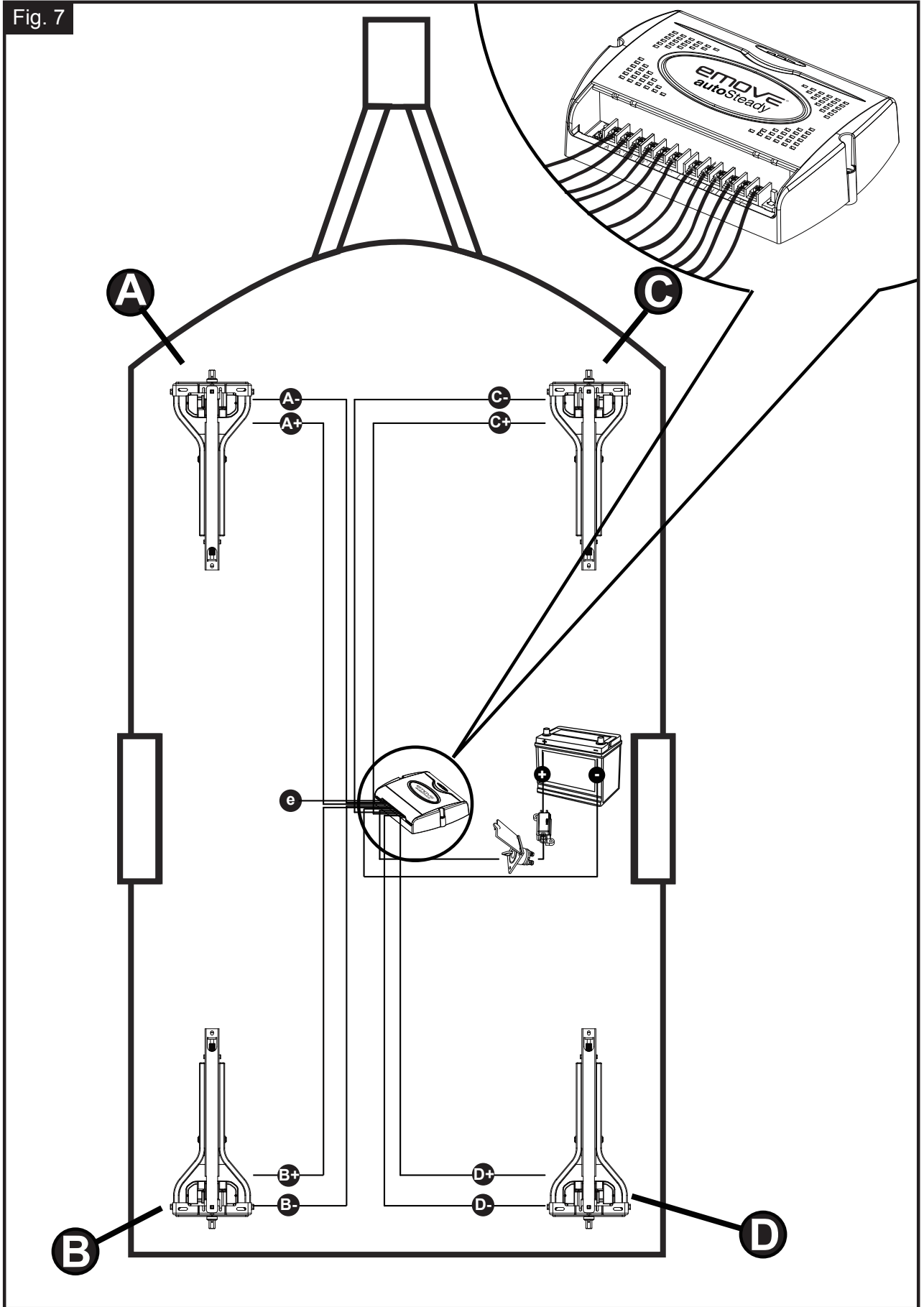


Fig. 6



Onderdelen en montagetekeningen/Bezeichnung der Teile & Montageschaubild
Parts identification & Fitting Diagrams/Partie l'identification-Diagrammes convenables

Fig. 7



Onderdelen en montagetekeningen/Bezeichnung der Teile & Montageschaubild
Parts identification & Fitting Diagrams/Partie l'identification-Diagrammes convenables

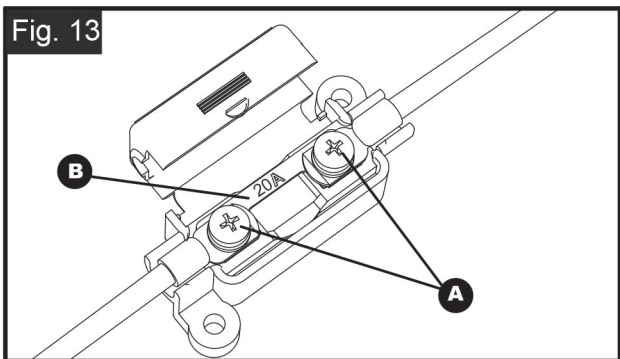
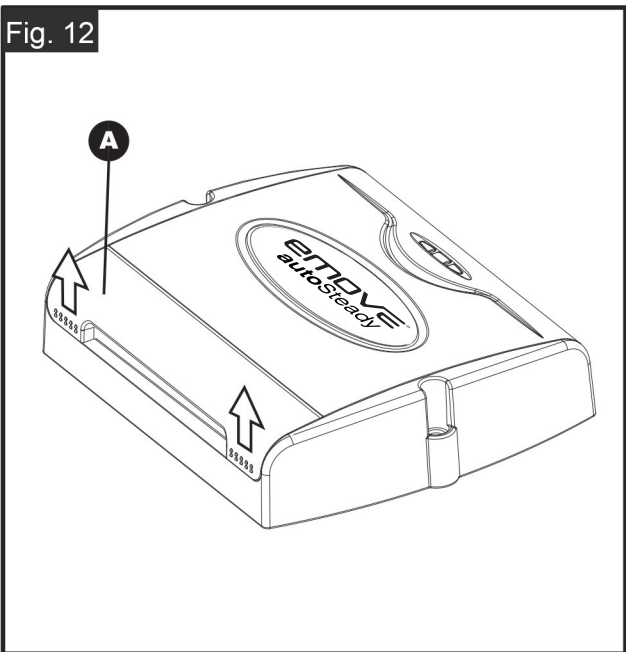
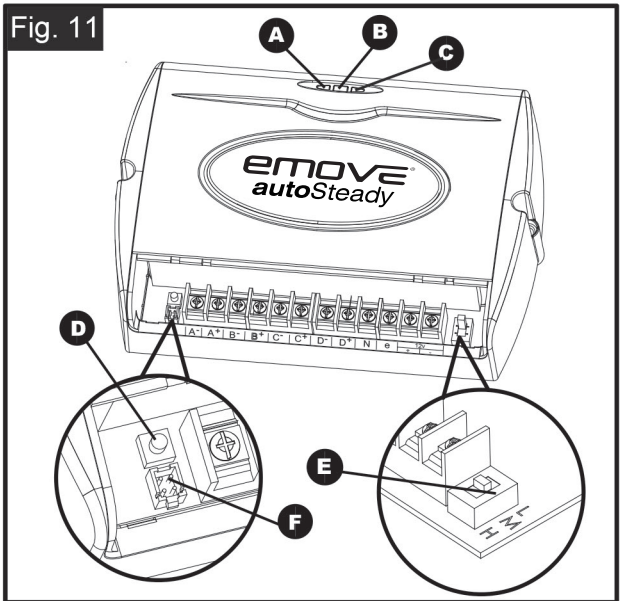
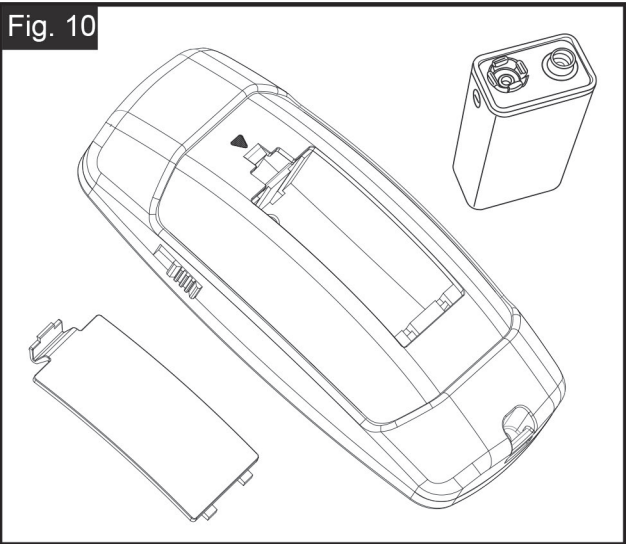
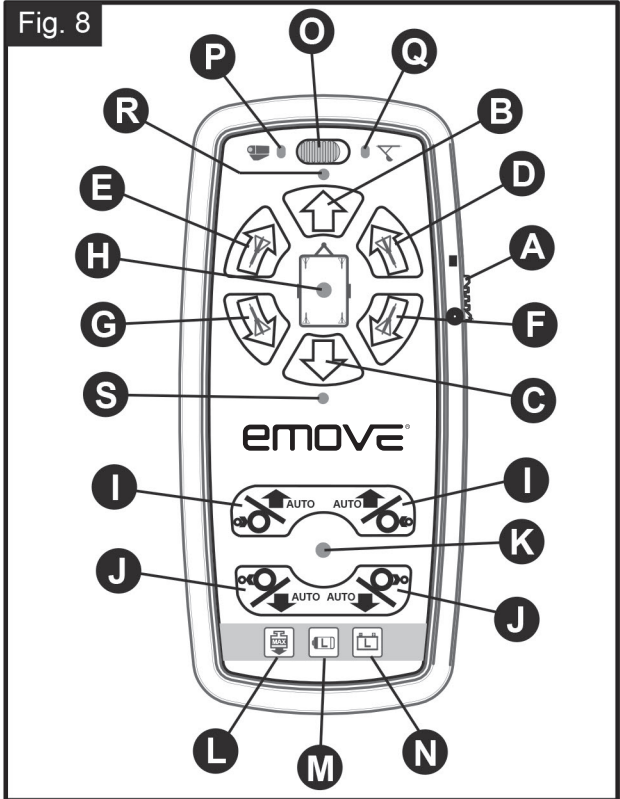
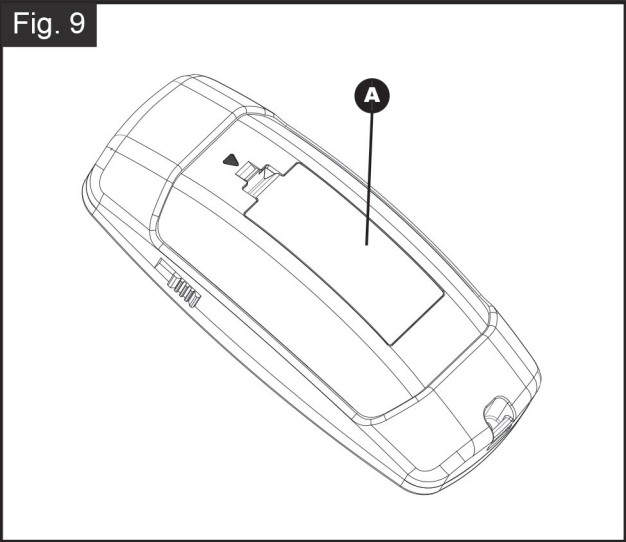


TABLE OF CONTENTS

- Package contents (Parts list)
- Introduction
- Intended use
- Specifications
- Installation – safety guidelines
- Installation – mechanical components
- Installation – electrical/electronic components
- Operation – safety guidelines
- Operation – remote handset
- Operation – control unit
- Operation – getting started
- Operation – emergency draw back function
- Operation – manually operation
- Maintenance
- Trouble-shooting

PACKAGE CONTENTS

Ref	Qte	Description
1	2	Motorized corner steady (version left) including mounting rail
2	2	Motorized corner steady (version right) including mounting rail
3	1	Level gauge
4	1	User manual
5	1	Remote handset with lanyard
6	1	Control unit
7	12	Flange nut – M8
8	4	Ground support plate
9	8	Ground support plate washer & clip
10	4	Ground support plate pin
11	2	Screw – M5x40
12	42	Screw – M4x15
13	10	Cable trunking P-clip 19.2mm
14	32	Cable P-clip 10.4mm
15	3	Cable number marker (A,B,C,D)
16	20	Cable tie
17	1	Cable for automatically draw back function
18	1	Positive (+) red battery cable 1.8m including fuse holder & 20A fuse
19	1	Black battery cable(-) 1.6m
20	2	Battery terminal connector 6mmØ
21	4	Battery terminal connector 8mmØ
22	12	Spade fork connector
23	1	Battery isolation switch, cover & key
24	2	Rubber isolation shell for battery isolation switch
25	2	Convuluted cable trunking

INTRODUCTION

Congratulations on choosing the EMOVE Finding Level system EM306. This product has been produced according to the highest standards and has undergone careful quality control procedures.

The emove® Finding Level system consists of four motorized corner steadies, a 12 Volt control unit, and a remote handset.

Simply by using the remote handset you can lower or draw back your caravan corner steadies effortlessly. The emove® Finding Level system comes with an automatic function: By pushing the "Auto" button on the remote handset, four corner steadies will be lowered or drawn back automatically. The remote handset also allows you to operate each corner steady individually.

The soft start technology, ensures ease of action and protects the motors which leads to a prolonged life of the system.



Before proceeding with installation and starting to use the EMOVE Finding Level system, please read this manual very carefully and be aware of all the safety instructions! The owner of the caravan will always be responsible for correct use. Keep this manual inside your caravan for future reference.

INTENDED USE

The emove® Finding Level system EM306 is suitable for retrofitting on an AL-KO chassis (for dimensions and specifications see Fig. 1 EM306).

Just as the standard corner steady of your caravan can only be used for stabilising, also the EMOVE Finding Level system cannot be used for jacking up or levelling out your caravan.

To avoid the corner steady feet to sink in the ground, the emove® Finding Level system is supplied with four ground support plates that can be permanently fixed on the steady feet (Fig. 4). Depending on the situation of ground, you may need some more assistance.

SPECIFICATIONS

Designation	emove® Finding Level EM306 (AL-KO Version)
Operational voltage	12 Volt DC
Average current consumption	12 Ampere
Maximum current consumption	36 Ampere
Transmitting frequency remote handset	868MHz
Weight	approx. 34kg (exclusive battery)
Min. permissible overall weight caravan	800kg
Max. permissible overall weight caravan	2000kg
Power source (battery)	LiFePO ₄ : 12V, 20Ah (recommended LI1220) Lead acid: 12V, 20Ah (min.)

INSTALLATION – SAFETY GUIDELINES



Read this user manual carefully before installation and use. Failure to comply with these instructions could result in serious injury or damage to property.



These symbols identify important safety precautions. They mean CAUTION! WARNING! SAFETY FIRST! IMPORTANT INFORMATION!

Before starting installation under the caravan:

Check the towing load of your vehicle and the gross weight of your caravan in order to establish whether they are designed for the additional weight. The autoSteady system itself adds a weight of about 34kg (However, the existing steadies will lapse and compensate approximately 20kg) and a traditional lead acid battery has a weight of about 20-25kg (the by us recommended LI1220 LiFePO₄ battery weighs only 4,3kg).

Only use adapters and accessories that are supplied or recommended by the manufacturer.

Check that the caravan is disconnected from the battery supply and the mains electrical supply.

Stop work immediately if you are in doubt about the assembly or any procedures and consult one of our engineers (Please refer to contact information on the last page of this manual).

Locate the battery isolation switch to be accessible at all times.

Do not remove, change or alter any parts of the chassis. Any drilling of holes in the chassis is not allowed.

Do not install the system if you are under the influence of drugs, alcohol or medication that could impair your ability to use the equipment safely.

INSTALLATION – MECHANICAL COMPONENTS



FOR PROFESSIONAL INSTALLATION ONLY. These instructions are for general guidance. Installation procedures may vary depending on caravan type.



Working under a vehicle without appropriate support is extremely dangerous!

Please refer to figure 7 for an overview of the whole assembly fully fitted.

Place the caravan on a hard, level surface. The use of a lifting ramp or an assembly pit is ideal for access and personal safety.

Unpack all the components and check for the presence of all parts (see package contents list). Ensure all parts are under good condition.

Clean the corner steady and area of chassis where you need to mount all components in order to ensure a good fitting.

Make sure the caravan is prepared for installation. Check before installation that important areas, such as drains/spare tyre etc, do not cause any obstruction to the function and wires of the EMOVE Finding Level system. Completely draw back all of the manually operated corner steadies.

Dismount the manually operated corner steadies from the bottom of your caravan by removing the nuts (Fig. 6A).

Before mounting the emove Finding Level system, please check carefully the chassis and the mounting rail mounted on the bottom of the caravan (if applied). We supply two versions of the corner steadies (version left) and (version right). The difference between the two version is the position of motors. Please check the chassis to choose the correct corner steady, See (Fig. 3) for details.

Check if your caravan already has a pre-installed mounting rails with suitable size of our spindle with motor. If not, you need to take off the improper mounting rails from the caravan bottom and mount the one in our settings, see Fig. 2A.

Check if the position of existing mounting holes in the caravan bottom are suitable for mounting the new corner steadies. If not, drill holes of 8mm for better installation on the bottom of the caravan and seal the old holes using plastic body sealant.



Caution!

No drilling is allowed in the chassis of the caravan!

Take extra care to avoid any chassis members, shower base, gas pipes and electrical wires!

Mount the corner steadies on the bottom of the caravan (chassis) with the original bolts/nuts (Fig. 6A). If the original bolts are not long enough to be matched with the original washers and nuts, please use the supplied alternative flange nuts (7) to replace the original washers and nuts.

Fully tighten all the nuts and bolts.



Adequate ground clearance: Please notice that the minimum distance between the lowest line of corner steady and ground is 110mm, no matter what kind of chassis or installation situation.



Re-check that all bolts/nuts have been tightened!

Mount the ground support plates (8) on the feet of the corner steady with the supplied pins (10) and clips (9) (Fig. 4)

The main mechanical components have now been installed.

INSTALLATION – ELECTRICAL/ELECTRONIC COMPONENTS



Make sure the 12 Volt supply from the battery and any 230 Volt electricity supply are disconnected.

Remove battery cable terminals and disconnect any external electrical power before starting work.

Find a suitable place for the control unit (6), such as a storage area, under a seat or a bed. Make sure this place is dry and close to the battery (40cm to 60cm). The control unit can be mounted vertically on a side wall or be mounted flat. When mounted vertically, the connections must point downwards to avoid any short-circuits by objects falling into.

Fix the control unit securely into position with two screws (11). Note: if the provided screws are not of suitable length or type for the desired location/material please substitute these as appropriate.

Drill a 25mm hole through the floor of the caravan approximately 150mm centrally in front of the control unit terminals.



Caution! Take extra care to avoid any chassis members, gas pipes and electrical wires!

Route and connect the motor cables and battery cables in accordance with wiring diagram (Fig. 7, top view of the caravan).

The motor cables have been pre-wired already to each motor (just the motor side). Red = Positive (+) and black is negative (-).

Open the cover on the control unit (Fig. 12A), to find the connectors for the wires.

The connectors on the control unit:

Terminal A-	Left front motor (-)
Terminal A+	Left front motor (+)
Terminal B-	Left back motor (-)
Terminal B+	Left back motor (+)
Terminal C-	Right front motor (-)
Terminal C+	Right front motor (+)
Terminal D-	Right back motor (-)
Terminal D+	Right back motor (+)
Terminal 12V-	Main power (-)
Terminal 12V+	Main power (+)
Terminal e	Automatic draw back function
Terminal N	Not used

See also wiring diagram (Fig. 8).

Notice: Left side means the driver side for Europe continent and the passenger side for the UK.

Mark the motor cables for all motor units using the cable number markers (15). Cable number markers "A" for left-front motor, "B" for left-back motor, "C" for right-front motor, "D" for right-back motor (Fig. 7).



Caution! Make sure that you do not reverse the positive (+) and negative (-) connections. Incorrect connection (reverse polarity) can result in damage to the control unit!

Ensure that there is no force and movement on the cables. Also avoid any loops.

Route the motor cables along the underside of the caravan floor, and through the drilled hole.

Protect the electrical cables against sharp edges (for example near the chassis) by the supplied convoluted cable trunking (25). Please can cut the trunking to the correct length.

Secure the motor cables and the cable trunking (25) under the body of the caravan by using the cable ties (16) or P-Clips (13 & 14) and screws (12).



Please ensure the motor cables are fixed very tightly near the corner steady, and the cables do not interfere with any part of corner steady when it is drawn back completely.

Once the motor cables are through the drilled hole next to the control unit, cut the cables. Ensure that they are all the same length. Remove approx. 5mm of the insulation from the ends. Fix the spade fork connectors (22) on the motor-cable ends by using crimping pliers. A secure and good quality connection on each cable is essential.

Attach the spade fork connectors to the terminals on the control unit (see wiring diagram Fig. 7) and fix them tightly by the screws. A safe and good quality connection on each cable is again essential.

Find a suitable place for the battery power isolation switch (23) which includes an external holder with hinged cover. **Important: The switch must be mounted onto the exterior body of the caravan and be easily accessible from the outside of the caravan in case of any emergency.** The switch must be mounted close to the location of the battery in order to keep the length of the battery cables to a minimum.

Use the cardboard template to position the hole positions and the drill holes. Mount the switch and the housing with the bolts, washers and nuts, and finally mount it on the caravan with stainless steel screws (12).

Route the positive (+) power cable (including fuse) from the battery to the battery power isolation switch and then further to the control unit.

Cut the positive power cable to an appropriate length and remove approx. 5mm of the insulation from the ends. Fix the O-ring connectors (21) by using crimping pliers. A secure and good quality connection on each cable is essential.

The electronic connections of the battery power isolation switch must be covered by the supplied rubber isolation shells (24).

Route the negative (-) power cable directly from the battery to the control unit.



No cables may be routed over the control unit!

Again it is recommended to use the supplied trunking (25) to protect the cables against sharp edges. Attach the cables and trunking with the cable ties (16) or P-clips (13 & 14) and P-clip screws (12).

Cut the cables to an appropriate length and remove approx. 5mm of the insulation from the ends. Fix the spade connectors (22) by using crimping pliers. A secure and good quality connection on each cable is essential.

Connect the battery cables (18 & 19) to the control unit: Attach the spade fork connectors to the positive (+) and negative (-) terminal of the control unit and fix them tightly by the screws.

Connect the battery cables to the existing battery terminals (red = positive, black = negative). Two types of battery terminal connector (20 & 21) are provided for use as appropriate.



Caution! Make sure that you do not reverse the positive (+) and negative (-) connections. Incorrect connection (reverse polarity) will result in damage to the control unit.

Seal 25mm hole in vehicle under body using plastic body sealant.

Next you can connect the cable for the emergency draw back function (**option, not obliged**). If you forget to draw back the corner steady before you start to drive, the corner steady or your caravan can get significant damage. This emergency draw back function ensures that (if installed properly!) the corner steady will be drawn back automatically when the caravan is connected on the constant 12 Volt power source of the car (via 7 or 13 pin plug).

Connect one end of the blue cable for the emergency draw back function (17) to the constant power source (+12V) of the car (via 7 or 13 pin connector) and not in direct connection is with the caravan battery! You can also find this constant power source in the 12 Volt central distribution box of your caravan. It is normally used to use your refrigerator during driving. If necessary measure again with a multimeter. If necessary you also need to connect the ground (-) of the car power source to the minus (marked 12V-) of the control unit (when the caravan battery is also used for lighting/water pump of the caravan this is not necessary).

If you need any help finding the constant power source of the car (in your caravan) please contact the manufacturer or supplier of your caravan for the wiring diagram.



NOTE: This constant e cable power source (+12V) CANNOT be in direct connection with the caravan battery! Check this very carefully, otherwise the EMOVE Finding Level system will not work! You can test this by disconnecting the connector from the car so the constant +12V voltage drops. By connecting the connector on the car again, the +12V voltage will be restored. If you have doubts you can drop this option (it is not obliged).

Route the cable for the emergency draw back function from the constant power source (+12V) to control unit.

Again it is recommended to use the supplied trunking (25) to protect the cables against sharp edges. Attach the cable and trunking with the cable ties (16) or P-Clips (13 & 14) and mounting screws for P-Clip (12).

Cut the cables to the correct length. Remove approx 5mm of the insulation from the end. Fix the spade connectors (22) by using crimping pliers. A secure and good quality connection on each cable is essential.

Connect the cable for emergency draw back function to the control unit.

Installation of the EMOVE Finding Level system is now complete.

OPERATION – SAFETY GUIDELINES

Practice operating the EMOVE Finding Level system before using for the first time. This is to fully familiarise yourself with the remote handset and the EMOVE Finding Level system operation.



Before use, always check the EMOVE Finding Level system for any damage.



Always ensure that children and pets are kept well out of the way during operation.



When operating the system, ensure that no hairs, fingers or other body parts, clothing or any other objects carried on the body can become trapped by moving or rotating parts.



Do not use the EMOVE Finding Level system to jack up your caravan. Just as the standard corner steady of your caravan can only be used for stabilising, also the EMOVE Finding Level system cannot be used for jacking up your caravan.



Before using the EMOVE Finding Level system always make sure that your caravan is levelled out in all directions.



In the event of malfunctions, turn off the main isolation power switch immediately.



To maintain signal strength, always make sure that, during action, the distance between the remote handset and the caravan does not exceed 5 metres.



Due to the nature of a radio signals, external terrain or objects can interfere and reduce the effectiveness. So there may be small areas around the caravan where the quality of reception reduces, hence the EMOVE Finding Level system may stop momentarily.



Always be aware that the EMOVE Finding Level system increases the weight of your caravan. So this reduces the payload of the caravan.



Always make sure that all the corner steady are fully drawn back before towing/moving the caravan. This can damage the corner steady, caravan or the towing vehicle.



Always make sure that after you have finished using the EMOVE Finding Level system, the battery power isolation switch (23) is switched off and the key is removed and stored in a safe place (out of reach of children or other unauthorised people). If you don't switch off, the battery will be discharged by the small "standby" current.



Always apply the handbrake during action.



Always make sure that the remote handset is stored in a safe place (out of reach of children or other unauthorised people). If you don't switch off, the battery will be discharged by the small "standby" current.



Do not exceed the total safe working load of the laden weight of the original corner steady.



Sensitive objects such as cameras, DVD-Players etc. must not be kept in the storage box near the control unit or the motor cable. They can be damaged by the electromagnetic fields.



Do not make any modifications to the EMOVE Finding Level system (mechanical or electronic). This can be very dangerous! No warranty claim will be accepted and we cannot warrant the function of the EMOVE Finding Level system if any modifications are made. We will not be liable for any damage whatsoever caused as a result of incorrect installation, operation or modification.

OPERATION – REMOTE HANDSET

The supplied double mode remote handset (5) can be used for the emove® Finding Level system and most emove® caravan manoeuvring systems (*models >2013*). The control mode can be selected by moving the slide switch (Fig. 8O) to "Caravan manoeuvring system mode" or "emove® Finding Level system mode".

The remote handset is powered by one PP3 9Volt battery, and is activated by moving the slide switch to "On"-I (Fig. 8A). Once activated the green LED (Fig. 8H) will illuminate and the controls can now be used.

Fig. 8 (emove® Finding Level mode):

- A. Main power slide switch:** "Off"=O and "On"=I.
- B. Up button in individual mode:** Select the draw-back function for single corner steady function buttons. After this button is pressed, the red LED above this button will light up. Then you can push the single corner steady function buttons for draw back. Without this selection the single corner steady function buttons are not workable. If there is not any operation within 30 seconds, the LED will turn off and invalidate the "UP" choice.
- C. Down button in individual mode:** Select the lower function for single corner steady function buttons. After pressing this button, the red LED below this button will light up. Then you can push the single corner steady function buttons for lower. Without this selection the single corner steady function buttons are not workable. If there is not any operation within 30 seconds, the LED will turn off and invalidate "Down" choice.
- D. Right-front single corner steady function button:** Adjust Right-front corner steady (see Fig. 7) draw back or lower by keep pushing the button. Choose the "UP" or "DOWN" button first.
- E. Left-front single corner steady function button:** Adjust Left-front corner steady (see Fig. 7) draw back or lower by pressing the button. Choose the "UP" or "DOWN" button first.
- F. Right-back single corner steady function button:** Adjust Right-back corner steady (see Fig. 7) draw back or lower by keep pushing the button. Choose the "UP" or "DOWN" button first.
- G. Left-back single corner steady function button:** Adjust Left-back corner steady (see Fig. 7) draw back or lower by pressing the button. Choose the "UP" or "DOWN" button first.
- H. Green power LED:** Power LED continuously lights up when the system is activated (by moving slide switch of the remote handset to "On"-I). If the remote handset is far away from the control unit, beyond the available distance, this LED will start blinking.
- I. Two handed buttons for automatic up function:** The "AUTO UP" button must be pressed for more than 3 seconds. The blue "automatic function" LED will blink and the buzzer also gives a beep per second. Then the automatic draw back process begins. If press it for less than 3 seconds, nothing happens (this is a setup to avoid misoperation). After three seconds the automatic lower or draw back begins, and the blue "automatic function" LED will illuminate constantly. Now you can release the button, and the draw back process will auto process. After the automatic draw back process is completed, the buzzer will give a beep.
- J. Two handed buttons for automatic down function:** The "AUTO DOWN" button must be pressed for more than 3 seconds. The "automatic function" LED will blink and the buzzer also gives a beep per second. Then the automatic lower process begins. If press it for less than 3 seconds, nothing happens (this is a setup to avoid misoperation). After three seconds the automatic lower process begins, and the "automatic function" LED will illuminate constantly. Now you can release the button, and the lower process will auto process. After the automatic lower process is completed, the buzzer will give a beep. *Before the corner steadies move downwards, there maybe a several second delay without any operation or the corner steady draw back a short time (about 3 seconds). This is normal.*
- K. Blue "automatic function" LED:** Reflects status of the "AUTO UP" and "AUTO DOWN" system.
- L. Red overload LED:** Amp overload protection is activated. Wait about 60 seconds and try again.
- M. Blue 9V battery LED:** The internal 9V battery of handset is near empty and needs to be replaced.
- N. Blue battery voltage LED:** The caravan battery voltage is too low or too high.
- O. Control mode slide switch:** The control mode can be selected by moving the slide switch (Fig. 8O) to "P" or "Q". If moving the slide switch (Fig. 8O) to "P" (indication becomes red), the combined remote handset is working in the caravan manoeuvring system mode. If moving the slide switch (Fig. 8O) to "Q" (indication becomes red), the combined remote handset is working in the **autoSteady** mode.
- P. Caravan manoeuvring system mode indicator:** Reflects status of remote handset. When the remote handset is set into the caravan manoeuvring system modes, an emove® caravan manoeuvring system can be controlled via this remote handset. Please see functions of the buttons in the caravan manoeuvring system user manual. NOTE: in this mode the **autoSteady** system will not work!
- Q. emove® Finding Level control mode indicator:** Reflects status of remote handset. When the remote handset is set into the **autoSteady** system modes, the **autoSteady** system can be controlled via this remote handset. NOTE: in this mode the caravan manoeuvring system will not work!
- R. Red LED:** reflects status of "UP" function in the individual mode.
- S. Red LED:** reflects status of "DOWN" function in the individual mode.

For the button functions in the caravan manoeuvring system mode, please check the user manual of your emove® caravan manoeuvring system.



The slide switch (Fig. 8A) also acts as an "Emergency stop".

The remote handset switches off:

After 3 minutes, if no button is pressed: After 2 minutes the buzzer will beep for 5 times with a repetition after 3 minutes. Then the system switches in the "stand-by" modes.

After 6 minutes, if one of the movement buttons is permanently held down: After 5 minutes the buzzer will beep for 5 times with a repetition after 6 minutes. Then the system switches in the "stand-by" modes.

The green LED goes off and the remote handset is in the "stand-by" modes which means that there always will be used some current which causes the battery to go down. So always make sure the remote handset is turned off by the slide switch.

To reactivate the remote handset, move slide switch to "Off" -O and then back to "On"-I after approximately 1 second.

Error messages via the remote handset:

Error messages of the emove® Finding Level system will be communicated via the remote handset by the green LED (Fig. 8H), the error message LED's (Fig. 8L, 8M & 8N) and a buzzer signal:

Green LED (Fig. 8H) off, no buzzer: remote handset is turned off and also system is not activated

Green LED (Fig. 8H) continue on, no buzzer: remote handset is turned on and system is activated and ready to use.

Green LED (Fig. 8H) is blinking, no buzzer: no communication between handset and control unit. This could be because of too much distance between remote handset and control unit, or the battery isolation switch for manoeuvring system is not turned on or that there is a distortion signal disturbing the communication. As soon as connection is good again the green LED will be continue on and the system is ready to use.

Blue battery voltage LED (Fig. 8N) is blinking in combination with buzzer (2 times blinking, break, 2 times blinking, break etc.): Battery voltage too low (<10V). Battery needs to be recharged.

Blue battery voltage LED (Fig. 8N) is blinking in combination with buzzer (4 times blinking, break, 4 times blinking, break etc.): Battery Voltage too high (over charged). Try to discharge the battery by turning on a user (for example a lamp or water-pump).

Red overload LED (Fig. 8L) is blinking in combination with buzzer (6 times blinking, break, 6 times blinking, break etc.): Amp overload protection is activated. Wait about 60 seconds and try again.

Blue 9V battery LED (Fig. 8M) is blinking, no buzzer: The internal 9V battery is near empty and needs to be replaced.

Changing batteries in the remote handset:

When the internal battery is empty (blue LED (Fig. 8M) is blinking 2Hz), it needs to be replaced.

Open the rear cover of the remote handset (Fig. 9A).

Take out the old battery and dispose in the appropriate way.

Install a new replacement battery (Fig. 10). Make sure to use a leak proof PP3 (9Volt) battery (No claims under guarantee can be considered for damage caused by leaking batteries).

Close the rear cover again.

Dead and used batteries may leak and damage the remote handset! Remove the batteries if the remote handset is not going to be used for an extended period.

How to synchronise the remote handset with a new manoeuvring system or emove® Finding Level control unit:

The remote handset and the EMOVE Finding Level control unit are synchronised with each other in the factory. If the control unit or the remote handset is replaced, or the combine-remote handset will also be used for an **emove®** caravan manoeuvring system, they must be re-synchronised as described below:

Check the installation in accordance with the installation instructions. Check that the battery is properly connected, check the condition of the battery and that a voltage of 12 Volt is present at the control unit.

Please ensure that the battery isolation switch is on.

Press the reset button on the control unit:

- o EMOVE Finding Level system: Press the reset button (Fig. 11D) on the EMOVE Finding Level control unit for three seconds and then release it. The green LED (Fig. 11A) starts blinking quickly (2Hz).
- o **emove® caravan manoeuvring system**: Press the reset button (*see user manual caravan manoeuvring system*) on the emove® caravan manoeuvring system control unit for three seconds and then release it. The green LED on the control unit starts blinking quickly (2Hz).

Activate the remote handset by sliding the slide switch (Fig. 8A) to "On"-I. The green LED of the remote handset and the "UP" and "DOWN" LED's (Fig. 8R & 8S) will illuminate continuously.

Push both the "UP" and "DOWN" buttons (Fig. 8B & 8C) on the remote handset at the same time for more than 3 seconds. Then the handset buzzer will give a short beep to confirm that the synchronisation is complete.

After successful synchronisation, the green LED on the control unit (Fig. 11A) and on the remote handset (Fig. 8H) will illuminate continuously.

After pressing the reset button on the control unit, if have not any operation in more than 15 seconds, the re-synchronization process will stop.

OPERATION – CONTROL UNIT

The control unit (6), which is mounted inside your caravan, is responsible for controlling the emove® Finding Level system.

The control unit has three LED's, one pushbutton and one slide switch (Fig. 11):

Green LED (Fig. 11A):

Power LED continuously lights up when the system is activated (by moving slide switch of the remote handset to "On"-I). If the remote handset is far away from the control unit, beyond the available distance, this LED will start blinking.

Blue LED (Fig. 11B):

Error message LED concerning caravan battery:

Blue LED is blinking (2 times blinking, break, 2 times blinking, break etc.): Battery voltage too low (<10V). Battery needs to be recharged.

Blue LED is blinking (4 times blinking, break, 4 times blinking, break etc.): Battery Voltage too high (over charged). Try to discharge the battery by turning on a user (for example a lamp or water-pump).

Red LED (Fig. 11C) is blinking (6 times blinking, break, 6 times blinking, break etc.):

Amp overload protection is activated. Maybe the system has a current-shortage. Please check the whole system carefully. Wait about 60 seconds and try again.

In general all error messages will reset automatically after one minute. If this is not the case, reset the electronics by switching off the system via the isolation switch and the remote handset for at least 15 seconds and then turning it on again.

The Reset Button (Fig. 11D):

The remote handset and the control unit are synchronised with each other in the factory. If the control unit or the remote handset is replaced, they must be re-synchronised as described in chapter **OPERATION - REMOTE HANDSET: "How to synchronise the remote handset with a new manoeuvring system or autoSteady control unit"**

Jack-up force switch (Fig. 11E):

The system is suitable for a big range of the caravans. To make sure that the system is always working properly and your caravan is stable, the Current-protection can be adjusted via a slide switch on the control unit (Fig. 11E):

L: Low current for caravans up to 1000kg

M: Normal current for caravans in the range of about 1000 – 1500kg

H: High current for caravans in the range of about 1500 – 2000kg

Different caravan chassis or floors have different situation for jack-up force. The above mentioned values are just a rough indication. Please check what is the most convenient for your caravan so your caravan or caravan chassis will not be damaged but still your caravan is stable.

Bluetooth adapter connector (Fig. 11F):

The control unit can be expanded with an optional Bluetooth adapter (ENDURO® BC101) for controlling the emove® Finding Level system with a Smartphone or tablet. When connecting the cable, the battery power isolation switch must be turned off.

OPERATION – GETTING STARTED



Please make sure you read the safety instructions very carefully and make sure that you follow these guidelines!



Make sure that the battery that supplies the system is fully charged and in good condition.



Make sure that the caravan is free from the vehicle and the handbrake is on.

Before you can start using the emove® Finding Level system, please make sure you caravan is already levelled out in all directions. Please use the supplied tool (3) and accomplish this the usual way.



Just as the standard corner steady of your caravan can only be used for stabilising, also the autoSteady system cannot be used for jacking up or levelling out your caravan.

Once the caravan is levelled out, you can start using the emove® Finding Level system.

Turn on the battery power isolation switch (23).

Activate the emove® Finding Level system by moving the slide switch to "On"-I on the remote handset (Fig. 8A). The green LED (Fig. 8H) will illuminate continuously. The system is ready for use.

During the operation of the system, the handbrake must be secured.

First check if the slide switch (Fig. 8O) is in "emove® Finding Level" mode (Fig. 8Q).

Press for at least three seconds the "AUTO DOWN" button (Fig. 8J) with two hands at the same time. The blue LED (Fig. 8K) will blink during these three seconds and every second there will be a beep. This is warning you that the system will be activated.

After these three seconds the auto function will start and the corner steadies will automatically act. The blue LED (Fig. 8K) on the remote handset will illuminate continuously. Now you can release the "AUTO DOWN" button.

The corner steady will act as following:

- first the two back corner steadies (Fig. 7B and Fig. 7D) lower
- then the two front corner steadies (Fig. 7A and Fig. 7C) lower
- than the back corner steadies (Fig. 7B and Fig. 7D) lower again
- finally the two front corner steadies (Fig. 7A and Fig. 7C) lower again

After activating the "AUTO DOWN" function, before the corner steadies lower, there maybe have a delay about 3 seconds. If one or more corner steadies are not at the complete draw back position, these corner steady will be draw back for about 3 seconds first.

When the AUTO function process is finished, there will be a beep.

Since the EMOVE Finding Level system is not equipped with an automatic levelling system, it can happen that the caravan is not completely levelled out anymore. This can be caused by the use of a flexible jockey-wheel, or a different spreading of the weight of your caravan or a different friction in the corner steady.

If needed, you can adjust every corner steady individually and slightly level out your caravan again.



The single corner steady function is used to adjust the height of single corner steady a little. Do not try to jack the caravan by this function, this could completely damage your caravan chassis or floor.



Different caravan chassis or floors have different situation for jack-up force. Using the single corner steady function have the possibility to completely damage your caravan chassis or floor. The stop setup on the single corner steady function is used to protect the motor and control unit, it cannot protect your caravan chassis or floor all the time (this due to the various caravan models).

In general we recommend to use only the "AUTO" function.

After operation, deactivate the EMOVE Finding Level system by moving the slide switch (Fig. 8A) to "Off"-O on the remote handset. The LED (Fig. 8H) on the remote handset will turn off. Store the remote handset in a safe place (out of reach of children or other unauthorized people).

Turn off the battery power isolation switch.

When you want to draw back all the corner steady, you act as following:



Before starting the operation of the system, the handbrake must be secured and the jockey wheel must be tightly fixed and tough the ground.

Turn on the battery power isolation switch.

Activate the emove® Finding Level system by moving the slide switch to "On"-I on the remote handset (Fig. 8A). The green LED (Fig. 8H) will illuminate and you will hear a short beep. The system is ready for use.

First check if the slide switch (Fig. 8O) is in "EMOVE Finding Level" mode (Fig. 8Q).

Press for at least three seconds the "AUTO UP" button (Fig. 8I) with two hands at the same time. The blue LED (Fig. 8K) will blink during these three seconds and every second there will be a beep. This is warning you that the system will be activated.

After these three seconds the auto function will start and the corner steadies will automatically act. The blue LED (Fig. 8K) on the remote handset will illuminate continuously. Now you can release the "AUTO UP" button.

The corner steady will act as following:

- first the two front corner steadies (Fig. 7A and Fig. 7C) draw back completely

than the two back corner steadies (Fig. 7B and Fig. 7D) draw back completely

When the AUTO function process is finished, there will be a beep.

After operation, deactivate the emove® Finding Level system by moving the slide switch (Fig. 8A) to "Off"-O on the remote handset. The LED (Fig. 8H) on the remote handset will turn off. Store the remote handset in a safe place (out of reach of children or other unauthorized people).

Turn off the battery power isolation switch.



Before you start driving always make sure that the four steady feet are fully lifted! Please check the one by one!

Individually adjustment:

First choose the "Up button in individual mode" (Fig. 8B) for draw back or "Down button in individual mode" (Fig. 8C) for lower by press the button.

Press the single corner steady function button (Fig. 8D,E,F,G) to lower or draw back individually. The corner steady will move if the single corner steady function button is kept pressed. It will stop if the button is released.

In addition, two corner steady function buttons (Fig. 8D,E,F,G) can be pressed to lower or draw back two corner steady at the same time. For example both front or rear corner steady or both left or right corner steady.

If the press force (from ground and chassis) on corner steady is too big, the motor will stop, even if the single corner steady function button is kept pressed.



The single corner steady function is used to adjust the height of single corner steady a little. Do not try to jack the caravan by this function, this could completely damage your caravan chassis or floor.



Different caravan chassis/ floor have different situation for jack-up force. Using the single corner steady function button have the possibility to completely damage your caravan chassis/ floor. The stop setup on the single corner steady function is used to protect the motor and control unit, it cannot protect your caravan chassis/ floor all the time(this due to the various caravan models).

After operation, deactivate the emove® Finding Level system by moving the slide switch (Fig. 8A) to "Off"-O on the remote handset. The LED (Fig. 8H) on the remote handset will turn off. Store the remote handset in a safe place (out of reach of children or other unauthorized people).

Turn off the battery power isolation switch.



Before you start driving always make sure that the four steady feet are fully lifted! Please check the one by one!

OPERATION – EMERGENCY DRAW BACK FUNCTION

If you forget to draw back the corner steady after using, the emergency draw back function will draw back the corner steadies automatically when you connect the 13-pin (or 7-pin) plug to the towing vehicle's socket.



The emergency draw back function is only for emergency situations if you forget to draw back the corner steady. Never use this function as a normal draw back method.



The emergency draw back function still works even if the battery voltage is too low. It will not function if the battery isolation switch is turned off.

OPERATION – MANUALLY OPERATION

In the situation that the caravan battery is discharged too much to automatically draw back the corner steady, or there is a defect, you can also do this manually.

Place the original 19mm socket manual handle on the 19mm hex-head of spindle (Fig. 5A), and turn it until the corner steady is completely draw back.



The speed for manually draw back the spindle would not quicker than 1 round per second. Also do not reverse it very quickly during manually turning. Otherwise, the motor and control unit maybe damaged by the sink current.

Repeat this also on all others corner steady.

As soon as the battery is charged again, or the problem is solved, the automatic spindle will work again.

MAINTENANCE

To prevent the battery from becoming totally discharged during long periods of inactivity it must be disconnected, fully charged and frost-proof stored.

Please check regularly that the spindle is free of any dirt, or debris that may have been picked up from the road.

Regularly grease spindle and corresponding screw nut. Dirt or corrosion of the EMOVE Finding Level system spindles can lead to premature shutdown!

Once a year have your emove® Finding Level system maintained and visually inspected. This inspection must include all the bolt/nut connections, the cables and electrical connections and lubrication of movable parts/joints.



In case of any failure or problem, please contact your emove® Finding Level supplier.

TROUBLE SHOOTING

Should your EMOVE Finding Level system fail to operate, please check the following:

Unit fails to operate, does not function at all:

Make sure that the battery power isolation switch is turned on.

Check the cable-connection between the caravan battery and the control unit.

Check the fuse in the red positive battery cable (Fig. 13). If the fuse is blown, it must be replaced with a fuse of the same value (20A). Never "bridge" the fuse (if needed contact your emove® supplier). To replace the fuse, first disconnect the positive (+) power cable from the battery. Then release the mounting screws that hold the fuse (Fig. 13A), replace the fuse (Fig. 13B), and finally tighten the screws securely. Close the housing of the fuse and connect the positive (+) power cable again to the battery. The system is ready again for use.

Check the battery of the remote handset. If empty, renew the 9V battery.

Caravan battery could be empty. If empty, recharge completely or renew caravan battery before taking any further action.

Caravan battery could be overloaded. Check your charging equipment and try to discharge the battery by connecting/using a light or any other load. If this does not give any result, renew caravan battery before taking any further action.

Check the distance between the remote handset and the caravan is not more than 5 meters. If there is no signal between the remote handset and the control unit, the emove® Finding Level system will not function at all and the green LED on remote handset will blink.

Check if there is any distortion signal (other transmitter, high power cables, Wifi etc.) that disturbs a good communication between remote handset and control unit. If there is no good communication between the control unit and remote handset, the EMOVE Finding Level system will not function and the green LED on remote handset will blink.

In general, all error messages will reset automatically after one minute. If this is not the case, reset the electronics of the emove® Finding Level system by switching off the emove® Finding Level system via the isolation switch and the remote handset for at least 15 seconds and then turn them on again.

Unit fails to operate or operates intermittently:

Check the battery of the remote handset. If empty, renew the 9V battery.

Caravan battery could be empty. If empty, recharge completely or renew caravan battery before taking any further action.

Caravan battery could be low. Check the voltage drop on the caravan battery, if this drops well below 10 volts, charge or renew caravan battery

Caravan battery could be overloaded. Check your charging equipment and try to discharge the battery by connecting/using a light or other load. If this does not give any result, renew caravan battery before taking any further action.

Check the cable-connection between the caravan battery and the control unit.

Badly connected or corroded battery terminals can cause intermittent problems, check battery terminals, clean and connect again.

Check the distance between the remote handset and the caravan is not more than 5 meters. If there is no signal between the remote handset and the control unit, the EMOVE Finding Level system will not function at all and the green LED on remote handset will blink.

Check if there is any distortion signal (other transmitter, high power cables, Wifi etc.) that disturbs a good communication between remote handset and control unit. If there is no good communication between the control unit and remote handset, the EMOVE Finding Level system will not function and the green LED on remote handset will blink.

In general, all error messages will reset automatically after one minute. If this is not the case, reset the electronics of the emove® Finding Level system by switching off the EMOVE Finding Level system via the isolation switch and the remote handset for at least 15 seconds and then turn them on again.

Spindle will not turn, motor rotates freely:

The motor or gear is broken, or the connect-pin between the motor and spindle is broken, please contact your emove® Finding Level

In case of any doubt, please contact your EMOVE® supplier.

EMOVE[®]

Finding Level

EM306

Caravan Manoeuvring System





EC DECLARATION OF CONFORMITY

Product: Manoeuvring Device for Caravans
Model No: EM303A

Manufacturer: The Ace Supply Company Ltd T/A Streetwize Accessories
Address: Unit 1, Royce Trading Estate, Ashburton Road West, Trafford Park, Manchester M17 1RY

This declaration is issued under the sole responsibility of the manufacturer.

The object of the declaration described above is in conformity with the relevant EC Directives:

2014/53/EU RE Directive
2014/30/EC EMC Directive
2006/42/EC Machinery Directive
2011/65/EU RoHS Directive
ECE-R10

Conformity is shown by compliance with the applicable requirements of the following standards:

EN300 220-1
EN300 220-2
EN301 489-1
EN301 489-3
EN 62311
EN ISO 12100
ECE-R10.05

Technical Data

Remote Control Frequency Class 1 Frequency 868 MHz <20mA
Operational Voltage 12v DC Current Consumption Average 20A maximum 100A
Power Transmitted 6.345 dBm
Area of operation Single axle caravan with a total weight up 2250kg on hard / flat surfaces
1800kg on other surfaces,
1450 on 18% gradient
Speed approx: 9cm per second
Weight approx: 34kg

Signed for and on behalf of: The Ace Supply Company Ltd T/A Streetwize Accessories

Place of Issue: Manchester

Date of Issue: 10/09/2019

Name: Lesley Cooper

Position: QC Manager

Signature:

TABLE OF CONTENTS

Package contents (Parts list)

Introduction
 Intended use
 Specifications
 Installation - safety guidelines
 Installation - mechanical components
 Installation - electrical/electronic components
 Installation - twin axle
 Operation - safety guidelines
 Operation - motor units
 Operation - remote control handset
 Operation - electronic control unit
 Operation - getting started
 Operation - hitching and unhitching
 Maintenance
 Trouble-shooting

PACKAGE CONTENTS

Ref	Qte	Description
1	1	Motor unit (A)
2	1	Motor unit (B)
3	1	Main cross bar
4	1	Electronic control unit
5	1	Remote control handset with lanyard
6	1	Emergency key
7	2	Aluminium chassis clamp plates (set)
8	4	Bolt - M10x60
9	2	Chassis U plate
10	1	Instruction manual
11	1	Convolute cable trunking
14	1	Positive (+) red battery cable 1.8m including fuse holder & 80A fuse
15	1	Negative (-) black battery cable 1.6m
16	8	Bolt - M10x50
17	12	Nylon nut M10
18	24	Washer 10mmØ
19	20	Screw - M4x15
20	10	Cable trunking P-clip 19.2mm
21	10	Cable P-clip 10.4mm
22	4	Battery terminal connector 8mmØ
23	2	Battery terminal connector 6mmØ
24	4	Spade fork connector big
25	3	Cable number markers (1,2,3,4)
26	3	Cable polarity markers (+,-)
28	10	Cable tie 2x70
29	1	Battery isolation switch, cover & key
30	2	Roller distance spacers 20x20
31	2	Rubber isolation shell for battery isolation switch
33	2	Screw - M5x40
34	4	Spade fork connector small

INTRODUCTION

Congratulations on choosing the emove EM303A caravan manoeuvring system. This has been produced according to very high standards and has undergone careful quality control procedures.

Simply by using the remote control handset you can move your caravan effortlessly into any position required within operating guidelines. Soft start and soft stop technology allows you to manoeuvre your caravan even more accurately without any shocks.

The caravan manoeuvring system consists of two 12V motor-power rollers, a 12V electronic control unit and a remote control handset. To function, the motor-powered rollers must be engaged against the tyres of your caravan. The emove EM303A caravan manoeuvring system is provided with an automatic engaging system. By pushing two buttons on the remote control, both motor-powered rollers will be simply pressed on the tyre. Once this is done the manoeuvring system is ready for operation. The remote control will allow you to move your caravan in any direction. You can even rotate the caravan on its own axis without moving forwards or backwards (*this function just can work under the "single-axle function"*).



Before proceeding with installation and starting to use the manoeuvring system, please read this manual very carefully and be aware of all the safety instructions! The owner of the caravan will always be responsible for correct use. Keep this manual inside your caravan for future reference.

INTENDED USE

The emove EM303A caravan manoeuvring system is suitable for single axle and double axle caravans.

Suitable only for L-profiled and U-profiled chassis with a chassis thickness between min. 2.5mm and max. 3.5mm.

Depending on the weight of the caravan, the manoeuvring system cannot overcome obstructions that are more than about 2cm in height without assistance (please use wedges as a ramp).

The standard installation kit only provides parts for installing the caravan manoeuvring system within the measurements given in Fig. 14.

SPECIFICATIONS

Designation	emove EM303A
Operational voltage	12 Volt DC
Average current consumption	20 Ampere
Maximum current consumption	100 Ampere
Transmitting frequency remote control	868MHz
Speed	approx. 9cm per sec.
Weight (2 motor set)	approx. 34kg (exclusive battery)
Permissible overall Weight single axle (2 motors)	2250kg hard flat surfaces, 1800kg other surfaces, 1500kg on 18% gradient.
Permissible overall Weight double axle (2 motors)	2250kg hard flat surfaces, 1800kg other surfaces, 1500kg on 18% gradient.
Permissible overall Weight double axle (4 motors)	3500kg hard flat surfaces, 2500kg other surfaces, 1800kg on 18% gradient.
Minimum width (caravan/trailer)	1800mm
Maximum width (caravan/trailer)	2500mm
Maximum tyre width	205mm
Power source (battery)	LiFePO ₄ : 12V, 20Ah Lead acid: 12V, 80Ah (min.)

INSTALLATION - SAFETY GUIDELINES



Read this user manual carefully before installation and use. Failure to comply with these rules could result in serious injury or damage to property.



These symbols identify important safety precautions. They mean CAUTION! WARNING! SAFETY FIRST! IMPORTANT INFORMATION!

Before starting installation under the caravan:

Check the towing load of your vehicle and the gross weight of your caravan in order to establish whether they are designed for the additional weight. The manoeuvring system itself has a weight of about 34kg and a traditional lead acid battery has a weight of about 20-25kg .

Check the minimal installation dimensions of the manoeuvring system based on figure 14.

Only use adapters and accessories that are supplied or recommended by the manufacturer.

Check that the caravan is disconnected from the battery supply and the mains electrical supply.

Check that the tyres are not over worn and do have the same size and design (fitting to new or nearly new tyres is the best option).

Make sure that the tyre-pressures are correct to the manufacturer's recommendation.

Make sure the chassis is in good condition without any damage and is free from rust, dirt etc.

Stop work immediately if you are in doubt about the assembly or any procedures and consult one of our engineers (Please refer to contact information on the last page of this manual).

Locate the battery isolation switch to be accessible at all times when parking and moving the caravan.

Do not remove, change or alter any parts of the chassis, axle, suspension or brake mechanism. Any drilling of holes in the chassis is not allowed.

Do not install the unit if you are under the influence of drugs, alcohol or medication that could impair your ability to use the equipment safely.

INSTALLATION - MECHANICAL COMPONENTS



FOR PROFESSIONAL INSTALLATION ONLY! These instructions are for general guidance. Installation procedures may vary depending on caravan type.



Working under a vehicle without appropriate support is extremely dangerous!

Please refer to figure 13 for an overview of the whole assembly fully fitted.

Place the caravan on a hard, level surface. The use of a lifting ramp or an assembly pit is ideal for access and personal safety.

Unpack all the components and check for the presence of all parts (see package contents list). Write down, on the product warranty registration card, the 10-digit serial number (this is located on an aluminium plate on the side of one of the motor units).

Clean the area of your chassis where you need to mount all components to ensure a good fitting.

Make sure the caravan is prepared for installation. Check before installation that important areas, such as drains/spare tyre etc. do not cause any obstruction to the function of the caravan manoeuvring system.

Ensure both rollers are in the DISENGAGED position (Fig. 10), as the unit will not fit correctly otherwise (Note: when fully disengaged, the pointer is positioned in the beginning of the yellow area).

Loosely assemble the left hand motor unit (1), right hand motor unit (2) and main cross bar (3) (Fig. 1). The nuts (Fig. 1A), on the cross bar (3) to secure both motor units, must be no more than finger-tight at this stage.

Note: In principle, the unit should be fitted in front of the caravan road wheels, but if fitting in this position is not possible because of obstacles or a too high hitch ball weight, it is permissible to fit it to the rear of the wheels by rotating the whole assembly (Fig. 1) by 180° degrees.

Loosely fit the two clamping assemblies (7) to the chassis (Fig. 2 & 13) and attach. Use the bolts M10x60, nuts M10 and washers M10 (8,17,18) and put them in the diagonal positioned holes of the aluminium chassis clamp plates. Nuts must be no more than finger-tight.

Assemble the pre-mounted manoeuvring system on the aluminium chassis clamp plates by using the two U-shaped brackets (9), bolts M10x50, nuts M10 and washers M10 (16,17,18). Nuts must be no more than finger-tight.

Make sure that aluminium drive rollers of the motors are approximately on the same altitude as the centre (axle) of the caravan wheel (0mm~40mm, see Fig. 10). As well make sure that between the top of the motor housing and the floor of the caravan is minimal 20mm space to make sure the motors can move freely (see Fig. 10 & 15). To compensate a possible unevenness (and lower the motors), emove has a set of distance plates available. One set can compensate 15mm. In total three sets can be used so that an altitude of 45mm can be compensated.



Adequate ground clearance: Please notice that the min. distance between the lowest line of motors and ground is 110mm, no matter what kind of chassis or install situation.

Make sure that the main cross bar (3) is positioned in the middle of the caravan (the centre of the bar is marked).

With the main assembly is loosely fitted onto the chassis, slide the whole assembly along the chassis until the rollers are 20mm away from the surface of the centre each tyre (Fig. 10). Two 20mm spacers (30) are provided.



It is vitally important that each roller is at exactly the same distance away from the tyre. The whole assembly must be parallel to the caravan/trailer axle.



Slide the motor units in or out of the cross bar (3) accordingly to ensure the roller will have the maximum possible contact with the tread of the tyre. Ensure that the position of each motor unit does not obstruct shock absorbers (if fitted) and that the gear cover (Fig. 8) is not too close to the surface of the tyre/shock absorber. The minimum clearance when the drive units swivelled in is 10mm.



Re-check that there is sufficient space available (minimal 20mm) between the top of the motor housing and the floor of the caravan so the motors can move freely (Fig. 15).

Fully tighten the four bolts (Fig. 1A) on the main cross bar (3) and lock them by the additional nuts.

Fully tighten all the nylon nuts on both clamping assemblies (Fig. 2). First tighten the diagonal placed M10x60 bolts with a 20Nm torque, and then M10x50 bolts to a 40Nm torque.

Re-check the distance of 20mm from the rollers to the tires, the position of the aluminium rollers in addition to the surface of the tire and finally the distance between the gear cover (Fig. 8) and the tires & shock absorbers (>10mm). The weight of the caravan must be on the wheels when doing this. If necessary, loosen the bolts and re-adjust the position of the assembly.



Re-check that all bolts/nuts have been tightened to the correct torque!

The main mechanical components have now been installed.

INSTALLATION - ELECTRICAL/ELECTRONIC COMPONENTS



Make sure the 12V supply from the battery and any 230V electricity supply are disconnected.

Remove battery cable terminals and disconnect any external electrical power before starting work.

Find a suitable place for the electronic control unit (4), such as a storage area, under a seat or a bed. Make sure this place is dry and close to the battery (40cm to 60cm). The electronic control unit can be mounted vertically on a side wall or be mounted flat. When mounted vertically, the connections must point downwards to avoid any short-circuits by objects falling into.

Fix the electronic control unit securely into position with two screws M5x40 (33). Note: if the provided screws are not of suitable length or type for the desired location/material please substitute these as appropriate.

Drill a 25mm hole through the floor of the caravan approximately 150mm centrally in front of the control unit (4) terminals.



Caution! Take extra care to avoid any chassis members, gas pipes and electrical wires!

Route and connect the motor-cables in accordance with wiring diagram (Fig. 12) (red = positive, black = negative).

The wiring diagram (Fig. 12 + Table. A (see below)) depicts the wiring route when installing the motor units in front of the wheels/axle towards the 'A' frame. Please refer to table B (below) for fitment of the motor units to the rear of the axle.

<p>Table. A FRONT OF AXLE FITTING <u>(4,6mm² cables)</u> Motor unit A Positive (+) cable to terminal 4 Motor unit A Negative (-) cable to terminal 3 Motor unit B Positive (+) cable to terminal 2 Motor unit B Negative (-) cable to terminal 1</p> <p><u>Automatic engaging system (1,5mm² cables):</u> Motor unit A: Positive (+) cable to terminal d Motor unit A: Negative (-) cable to terminal c Motor unit B: Positive (+) cable to terminal b Motor unit B: Negative (-) cable to terminal a</p>	<p>Table. B REAR OF AXLE FITTING <u>(4,6mm² cables)</u> Motor A Positive (+) cable to terminal 1 Motor A Negative (-) cable to terminal 2 Motor B Positive (+) cable to terminal 3 Motor B Negative (-) cable to terminal 4</p> <p><u>Automatic engaging system (1,5mm² cables):</u> Motor unit A: Positive (+) cable to terminal b Motor unit A: Negative (-) cable to terminal a Motor unit B: Positive (+) cable to terminal d Motor unit B: Negative (-) cable to terminal c</p>
---	--

Mark the motor cables (12 & 13) for both motor units using the cable markers (25). The cables for the left and the right motor should have the same length. Avoid any loops.

Connect the spade connectors to the motors. Please note that the red cable is connected to the terminal under the moulded '+' symbol on the weatherproof terminal cover.

Remember to leave a small amount of slack cable near the motors to allow for their movement when the drive rollers are engaged.

Route all the cables along the underside of the caravan floor, inside the supplied convoluted trunking (11) (this will protect the electrical cables against sharp edges and dirt) and through the drilled hole.

Secure the cable trunking (11) to the chassis or under body of the caravan by using the P-Clips (20) and screws (19).

Once the all cables are through the drilled hole next to the control unit (4), cut the cables, ensuring that they are the same length. Remove approx. 5mm of the insulation from the ends. Fix the big spade fork connectors (24) to the motor cables and the small spade fork connectors (34) to the automatic-engaging-cables by using crimping pliers. A secure and good quality connection on each cable is essential.

Attach the spade fork connectors to the terminals on the control unit (see wiring diagram Fig. 12) and fix them tightly by the screws. A safe and good quality connection on each cable is again essential.

Find a suitable place for the battery power isolation switch (29) which includes an external holder with hinged cover. **Important: The switch must be mounted onto the exterior body of the caravan and be easily accessible from the outside of the caravan in case of any emergency.** The switch must be mounted close to the location of the battery in order to keep the length of the battery cables to a minimum.

Use the cardboard template to position the hole positions and the drill holes. Mount the switch and the housing with the bolts, washers and nuts, and finally mount it on the caravan with stainless steel screws (19).

Route the positive (+) power cable (including fuse) from the battery to the battery power isolation switch (29) and than further to the control unit (4).

The electronic connections of the battery power isolation switch (29) must be covered by the supplied rubber isolation shells (31).

Route the negative (-) power cable directly to the control unit (4).



No cables may be routed over the control unit!

Again it is recommended to use the supplied trunking (11) to protect the cables against sharp edges. Attach the trunking with P-clips (20) and P-clip screws (19).

Cut the cables to an appropriate length and remove approx. 5mm of the insulation from the ends. Fix the battery terminal connectors by using crimping pliers. Two types of battery terminal connector (22 & 23) are provided for use as appropriate. A secure and good quality connection on each cable is essential.

Connect the battery cables (14 & 15) to the control unit (4): Attach the spade fork connectors to the positive (+) en negative (-) terminal of the control box and fix them tightly by the screws.

Connect the battery cables to the existing battery terminals (red = positive, black = negative).



Caution! Make sure that you do not reverse the Positive (+) and Negative (-) connections. Incorrect connection (reverse polarity) will result in damage to the control unit.

Connect the battery cables (14 & 15) to the control unit (4).

Seal the 25mm hole in vehicle under body using plastic body sealant.

Installation of the caravan manoeuvring system is now complete.

INSTALLATION – TWIN AXLE

This manual describes the general installation and use of the manoeuvring system for single axle caravans.

When you use the manoeuvring system for a twin axle caravan, please check the following:

Permissible overall weight twin axle (2 motors)	1800kg (1500kg on 18% gradient)
Permissible overall weight twin axle (4 motors)	2500kg (1800kg on 18% gradient)

2 motors:

The procedure for installing a 2 motors manoeuvring system on a twin axle caravan is the same as for a single axle caravan. The electronic control unit (4) only must be prepared for twin axle use:

Turn off the battery power isolation switch and move the single/twin axle function switch (Fig 3S/T) on the control unit to the twin axle position (Fig. 3T), so that the manoeuvring system can be used for a twin axle caravan. In the twin axle function when making curves, all wheels will drive but at a different speed.

4 motors:

The procedure for installing a 4 motors manoeuvring system on a twin axle caravan is similar than for a single axle caravan but then with two sets of manoeuvring system.

Follow the procedure for **installing the mechanical components** twice: one time for the manoeuvring set mounted in front of the twin axle and one time for the manoeuvring set mounted behind the twin axle.

Follow the procedure for **installing the electrical/electronic components** twice: one time for the manoeuvring set mounted in front of the twin axle and one time for the manoeuvring set mounted behind the twin axle.

Note: When installing the four motors it will be necessary to use one higher capacity battery to supply both sets of manoeuvring system (including two electronic control units and two of battery power isolation switches). Do not use two separate batteries for a 4 motors manoeuvring system on a twin axle caravan.

Now **both** electronic control units (4) must be prepared for twin axle use:

Turn off the battery power isolation switch and move the single/twin axle function switch (Fig 3S/T) on the control unit to the twin axle position (Fig. 3T), so that the manoeuvring system can be used for a twin axle caravan. In the twin axle function when making curves, all wheels will drive but at a different speed.

Finally both electronic control units (4) must be prepared for the use of only one remote handset (32). The remote handset need to be synchronised with both electronic control units using the following procedure:

- ☒ Check the installation in accordance with the installation instructions and ensure that the drive rollers are not applied. Check that the battery is properly connected, check the condition of the battery and that a voltage of 12V is present at the control unit.
- ☒ Please ensure that both battery isolation switches are on.
- ☒ Activate the remote control handset by sliding the slide switch to "On"-I (Fig. 5A). The green LED on the remote control handset (Fig. 5H) starts to flash slowly.
- ☒ Press the reset button (Fig. 3A) on the control unit. All three LED's on the control unit (Fig. 3B, 3C & 3D) will flash slowly.
- ☒ Press both forwards (Fig. 5B) and reverse (Fig. 5C) button on the remote control handset for about 3 seconds. Then the handset buzzer will give a short beep to confirm that the synchronisation is complete.
- ☒ After successful synchronisation, the green LED on the control unit (Fig. 3B) and on the remote control handset (Fig. 5H) will illuminate continuously.
- ☒ Repeat this procedure with the second electronic control unit.
- ☒ Turn the remote handset "Off" and then "On" again so both control units will be activated.

The installation of the caravan manoeuvring system for twin axle use is now complete. For details of the operation, use and all the LED and button functions, please refer to the standard chapters of this manual.

OPERATION - SAFETY GUIDELINES

Practice operating the manoeuvring system in an open area before using for the first time. This is to fully familiarise yourself with the handset / manoeuvring system operation.



Before use, always check the caravan manoeuvring system for any damage.



When towing or moving the caravan please be aware, at all times, that ground clearance is reduced when the manoeuvring system has been fitted.



Always ensure that children and pets are kept well out of the way during operation.



When operating the system, ensure that no hairs, fingers or other body parts, clothing or any other objects carried on the body can become trapped by moving or rotating parts (e.g. drive rollers).



In the event of malfunctions, pull on the handbrake immediately and turn off the main isolation power switch.



To maintain signal strength, always make sure that, during manoeuvring, the distance between the remote control and the caravan does not exceed 5 metres.



Due to the nature of a radio signal, it can get corrupted by external terrain or objects. So there may be small areas around the caravan where the quality of reception reduces, hence the manoeuvring system may stop momentarily.



Always be aware that the manoeuvring system increases the weight of your caravan or trailer. So this reduces the payload of the caravan.



Do not exceed the total safe working load of 1800kg laden weight (caravan including load) when 2 motors are used and 2500kg laden weight (caravan including load) when 4 motors (twin axle) are used.



Always make sure that the rollers are fully disengaged from the tyres when the manoeuvring system is not in use. This is better for the tyres and for the system.



Always make sure that the rollers are fully disengaged before towing/moving the caravan by vehicle or manpower. This can damage the tyres, manoeuvring system and the towing vehicle.



Always make sure that after you have finished using the manoeuvring system, the battery power isolation switch (29) is switched off and the key is removed and stored in a safe place (out of reach of children or other unauthorised people). If you don't switch off, the battery will be discharged by the small "standby" current.



Always make sure that the remote control handset is switched off and stored (in the wall holder) in a safe place (out of reach of children or other unauthorised people). If you don't switch off, the battery will be discharged by the small "standby" current.



Do not rely on the manoeuvring system to act as a brake.



Always apply the handbrake after manoeuvring, before disengaging the drive rollers from the tyres.



Do not use the manoeuvring system as a support when jacking up the caravan, since this can damage the drive unit.



Depending on the weight of the caravan, the manoeuvring system cannot overcome all obstructions without assistance. Please use wedges as a ramp.



All wheels and tyres on the caravan must be of the same size and design. If tyres are worn or new tyres are fitted, the distance between the drive rollers and the tyres may need readjusting (see "Installation - Mechanical Components").



Sensitive objects such as cameras, DVD-Players etc. Must not be kept in the stowage box near the control unit or the motor cable. They can be damaged by the electromagnetic fields.



Do not make any modifications on the caravan manoeuvring system (mechanical or electronically).



This can be very dangerous! No warranty claim will be accepted and we cannot guarantee the function of the system if any modifications are made. We will not be liable for any damage whatsoever caused as a result of incorrect installation, operation or modification.

OPERATION - MOTOR UNITS

The manoeuvring system has two motor units (1 & 2). In general they are mounted in front of the axle of the caravan. Both units are identical but cannot be switched.

Fig. 4

- A. Aluminium drive roller
- B. 12V Motor
- C. Motor connection terminals (+ and -)
- D. Motor for automatic engaging system
- E. Base unit
- F. Drive unit
- G. Gear

Traction indicator label:

The yellow-green-red traction indicator label (Fig. 11A), on the side of each motor unit indicates if the roller is depressing the tyre sufficiently to provide adequate traction.

- If the pointer is in the yellow area – Rollers are not touching or depressing the tyre sufficiently.
- If the pointer is in the green area – Rollers should be connecting correctly to the tyre (margin of 15mm).
- If the pointer is in the red area – Rollers are connected to the tyre but in an extreme position. It could be that the tyre of the caravan has insufficient air pressure or the drive unit has been knocked out of position and a visit to a workshop is required to reposition the assembly.

Disconnect the motor powered rollers in case of emergency:

In the case that the caravan battery is discharged to far to automatically take of the motor powered rollers of the tyre, or there is a defect, you can also do this manually. See figures 9 & 9.1.

Take the plastic cap (Fig. 9B) at the rear side of the housing of the motor for the automatic engaging system. If necessary use a screwdriver. Place the emergency key (6) on the emergency socket in the motor unit (Fig. 9A & 9.1C) and turn it until the motor unit including motor powered rollers are in the beginning position. Repeat this also on the motor unit on the other side.

Put the plastic caps back on the motor housing.

As soon as the battery is charged again, or the problem is solved, the motor powered rollers automatically work again.

OPERATION - REMOTE CONTROL HANDSET

The remote control handset (5) is powered by one PP3 9Volt battery, and is activated by moving the slide switch to "On"-I (Fig. 5A). Once activated the green LED (Fig. 5H) will illuminate and the directional controls can now be used.

Fig. 5

- A. Slide switch ("Off" –O and "On"-I)
- B. Caravan forwards (both wheels rotate in forwards direction)
- C. Caravan reverse (both wheels rotate in reverse direction)
- D. Caravan left forwards (right wheel rotates in forwards direction)
- E. Caravan right forwards (left wheel rotates in forwards direction)
- F. Caravan left reverse (right wheel rotates in reverse direction)
- G. Caravan right reverse (left wheel rotates in reverse direction)
- H. Green LED: reflects status of the remote control and caravan manoeuvring system
- I. Two handed service for automatic engaging of the motor powered rollers to the tyre
- J. Two handed service for automatic disengaging of the motor powered rollers from the tyre
- K. Blue LED: reflects status of the automatic engaging system
- L. Red overload LED: Amp overload protection is activated. Wait about 60 seconds and try again.
- M. Blue 9V battery LED: The internal 9V battery of handset is near empty and needs to be replaced.
- N. Blue battery voltage LED: Caravan battery voltage too low or too high.

When you drive straight forwards or reverse (press button B or C), it is also possible to adjust the direction by additional pressing button D or E (when driving forwards) or button F or G (when driving reverse).

In addition, the 'right forward' (E) and 'left reverse' (F) buttons or 'left forward' (D) and 'right reverse' (G) buttons may be pressed at the same time to turn the caravan around on its own axis without moving forward or backward (*this function just can work under the "single-axle function"*).

When you switch within 2 seconds from forward driving to reverse driving (and the other way around), a small delay of 1 second will appear to protect the electronics and the motors.



The slide switch (Fig. 5A) also acts as an "Emergency stop".

The automatic engaging system:

To activate the automatic engaging system of the motor powered rollers on the tyre, press the two buttons for engaging (Fig. 5I) or disengaging (Fig. 5J) for at least three seconds. The blue LED (Fig. 5K) will blink fast during these three seconds and every second there will be a beep. This warns you that the system will be activated!

Engaging: After these three seconds the motor powered rollers will be pressed against the tyre, and the blue LED will illuminate constant. Now you can release the two buttons. When the motor powered rollers are pressed on the tyre strongly enough you hear a short beep, the blue LED will switch off and the system is ready to use.

Disengaging: after these three seconds the motor powered rollers will be released from the tyre, and the blue LED will illuminate constant. Now you can release the two buttons. When the motor powered rollers are completely disengaged you hear a short beep, the blue LED will switch off and is the system ready for transport.

The remote hand set switches off:

- After 3 minutes, if no button is pressed: After 2 minutes the buzzer will beep for 5 times with a repetition after 3 minutes. Then the system switches in the "stand-by" modes.
- After 6 minutes, if one of the movement buttons is permanently held down: After 5 minutes the buzzer will beep for 5 times with a repetition after 6 minutes. Then the system switches in the "stand-by" modes.

The green LED goes off and the remote control handset is in the "stand-by" modes which means that there always will be used some current which causes the battery to go down. So always make sure the remote control handset is turned off by the slide switch.

To reactivate the remote control, move slide switch to "Off" -O and then back to "On"-I after approximately 1 second.

Error messages via the remote control handset:

Error messages of the remote EM303A will be communicated via the remote control handset by the green LED (Fig. 5H), the error message LED's (Fig. 5L, 5M & 5N) and a buzzer signal:

- Green LED (Fig. 5H) off, no buzzer: remote control handset is turned off and also system is not activated
- Green LED (Fig. 5H) continue on, no buzzer: remote control handset is turned on and system is activated and ready to use.
- Green LED (Fig. 5H) is blinking, no buzzer: no communication between handset and control unit. This could be because of too much distance between remote control handset and control unit, or the battery isolation switch for manoeuvring system is not turned on or that there is a distortion signal disturbing the communication. As soon as connection is good again the green LED will be continue on and the system is ready to use.
- Blue battery voltage LED (Fig. 5N) is blinking in combination with buzzer (2 times blinking, break, 2 times blinking, break etc.): Battery voltage too low (<10V). Battery needs to be recharged.
- Blue battery voltage LED (Fig. 5N) is blinking in combination with buzzer (4 times blinking, break, 4 times blinking, break etc.): Battery Voltage too high (over charged). Try to discharge the battery by turning on a user (for example a lamp or water-pump).
- Red overload LED (Fig. 5L) is blinking in combination with buzzer (6 times blinking, break, 6 times blinking, break etc.): Amp overload protection is activated. Wait about 60 seconds and try again.
- Blue 9V battery LED (Fig. 5M) is blinking, no buzzer: The internal 9V battery is near empty and needs to be replaced.

Changing batteries in the remote control:

When the battery is empty (blue 9V battery LED (Fig. 5M) is blinking), it needs to be replaced.

- Open the rear cover of the handset (Fig. 7A).
- Take out the dead/old battery and dispose in the appropriate way.
- Install a new replacement battery (Fig. 7.1). Make sure to use a leak proof PP3 (9Volt) battery (No claims under guarantee can be considered for damage caused by leaking batteries).
- Close the rear cover again.

Dead and used batteries may leak and damage the remote control handset! Remove the batteries if the handset is not going to be used for an extended period.

OPERATION - ELECTRONIC CONTROL UNIT

The electronic control unit (4), which is mounted inside your caravan, is responsible for controlling the manoeuvring system.

The control unit has three LED's, one pushbutton and one slide switch (Fig. 3):

Green LED (Fig. 3B): Power LED continuously illuminated when system is activated (by moving slide switch to "On"-I). If the handset far away from the control unit, beyond the available distance, this LED will go out.

Blue LED (Fig. 3C): Error message LED concerning caravan battery:

- Blue LED is blinking (2 times blinking, break, 2 times blinking, break etc.): Battery voltage too low (<10V). Battery needs to be recharged.
- Blue LED is blinking (4 times blinking, break, 4 times blinking, break etc.): Battery Voltage too high (over charged). Try to discharge the battery by turning on a user (for example a lamp or water-pump).

Red LED (Fig. 3D) is blinking (6 times blinking, break, 6 times blinking, break etc.): Amp overload protection is activated. Wait about 60 seconds and try again.

In general all error messages will reset automatically after one minute. If this is not the case, reset the electronics of the manoeuvring system by switching off the system via the isolation switch and the remote control handset for at least 15 seconds and then turning it on again.

The Reset Button (Fig. 3A): The remote control handset and the control unit are synchronised with each other in the factory. If the control unit or the remote control handset is replaced, they must be re-synchronised as described below:

- Check the installation in accordance with the installation instructions and ensure that the drive rollers are not applied. Check that the battery is properly connected, check the condition of the battery and that a voltage of 12 V is present at the control unit.
- Please ensure that the battery isolation switch is on.
- Activate the remote control handset by sliding the slide switch to "On"-I (Fig. 5A). The green LED on the remote control handset (Fig. 5H) starts to flash slowly.
- Press the reset button (Fig. 3A) on the control unit. All three LED's on the control unit (Fig. 3B, 3C & 3D) will flash slowly.
- Press both forwards (Fig. 5B) and reverse (Fig. 5C) button on the remote control handset for about 3 seconds. Then the handset buzzer will give a short beep to confirm that the synchronisation is complete.
- After successful synchronisation, the green LED on the control unit (Fig. 3B) and on the remote control handset (Fig. 5H) will illuminate continuously.

The single-twin axle function switch (Fig. 3S/T): The emove EM303A caravan manoeuvring system is suitable for both single axle and twin axle caravans. You just need to pull the single-twin axle function switch (Fig 3S/T) on the control unit, so that the manoeuvring system can be used for a single-axle caravan or a twin-axle caravan (for 2 motor use but also for 4 motor use). In the twin axle function the all wheels will drive but at a different speed.

The switch standard pre-selected for single axle use (Fig 3S). For twin axle use, just move the switch to the twin axle position (Fig. 3T). When move the single-twin axle function switch, the battery power isolation switch (29) must be turned off.

OPERATION - GETTING STARTED



Please make sure you read the safety instructions very carefully and make sure that you follow these guidelines!



Make sure that the battery that supplies the system is fully charged and in good condition.



Make sure that the caravan is free from the vehicle and the handbrake is on. Also make sure that the corner steady feet are fully raised.

Turn on the battery power isolation switch (29).

Activate the manoeuvring system by move slide switch to "On"-I on the remote control (Fig. 5A). The green LED (Fig. 5H) on the remote control handset will illuminate and you will hear a short beep. The remote control is ready for use.

Press at the same time, during at least three seconds, the two buttons for engaging the motor powered rollers (Fig. 5I). The blue LED (Fig. 5H) will blink fast during these three seconds and every second there will be a beep. This warns you that the system will be activated!

After these three seconds the motor powered rollers will be pressed against the tyre and the blue LED will illuminate constant. Now you can release the two buttons. When the motor powered rollers are pressed on the tyre strongly enough, the blue LED will switch off and is the system ready to manoeuvre. The colour of the traction indicator label (Fig. 11A) should be into the green area.

Before operating the manoeuvring system, release the handbrake.

Now you can choose the movements according the symbols shown on the remote control. Straight forward (Fig. 5B), straight reverse (Fig. 5C), left forward (Fig. 5D), left reverse (Fig. 5F), right forward (Fig. 5E), right reverse (Fig. 5G).

In addition, the left forward (Fig. 5D) and right reverse (Fig. 5G) buttons or right forward (Fig. 5E) and left reverse (Fig. 5F) buttons may be pressed at the same time to turn the caravan around on its own axis without moving forward or backward (*this function just can work under the "single-axle function"*).

When you drive straight forwards or reverse (press button 5B or 5C), it is also possible to adjust the direction by additional pressing button 5D or 5E (when driving forwards) or button 5F or 5G (when driving reverse).

Because of the "soft start" technology, the caravan will slowly speed up. Because of the "soft stop" technology, the caravan will stop slowly. This allows you to manoeuvre your caravan even more accurately without any shocks.



WARNING: When the buttons on the remote control handset are released, the caravan will slowly stop after 0.5 second and continue to move about 6cm (depending on final speed). When the buttons of the remote control handset are released when the system is still in the "soft start" stage (slowly speed up), the caravan will stop immediately.

After the "soft start" stage the caravan moves according one fixed speed. The speed can increase a little when going downhill and decrease a little when going uphill. **TIP:** The manoeuvring system is more efficient when reversing the caravan up an incline.



When you are ready with manoeuvring you need to secure the handbrake.

Press at the same time, during at least three seconds, the two buttons for disengaging the motor powered rollers (Fig. 5J). The blue LED (Fig. 5H) will blink fast during these three seconds and every second there will be a beep. This warns you that the system will be activated!

After these three seconds the motor powered rollers will be released from the tyre and the blue LED will illuminate constant, now you can release the two buttons. When the motor powered rollers are completely disengaged the blue LED will switch off and the system is ready for transport.

After manoeuvring, deactivate the manoeuvring system by moving the slide switch to "Off"-O on the remote control handset (Fig. 5A). The green LED (Fig. 5H) on the remote control handset will turn off. Store remote control in a safe place (out of reach of children or other unauthorised people).

Turn off the battery power isolation switch.



Before you start driving always make sure that the both drive units are fully disengaged!

OPERATION - HITCHING AND UNHITCHING

It is possible to position the caravan's hitch exactly over a stationery car's tow ball using the manoeuvring system. But please be very careful!

Use the button controls on the remote control to bring the hitch of the caravan to the car. The soft start technology allows you to locate the tow-ball of the car by centimetre. It is better reach the tow ball with several short "trips" rather than trying to do it in one "trip".



WARNING: When the buttons on the remote control handset are released, the caravan will slowly stop after 0.5 second and continue to move about 6cm (depending on final speed). When the buttons of the remote control handset are released when the system is still in the "soft start" stage (slowly speed up), the caravan will stop immediately.

When the hitch is right above the tow ball of the vehicle, lower the hitch to the ball and engage in the normal way using the jockey wheel.



Release the rollers from the caravan's tyres. You cannot tow the caravan with the drive units are engaged! Before you start driving always make sure that the both drive units are fully disengaged!



Trying to drive away with the drive units still engaged, will damage the manoeuvring system, your caravan tyres and strain your tow vehicle!

MAINTENANCE

To prevent the battery from becoming totally discharged during long periods of inactivity it must be disconnected, fully charged and frost-proof stored.

Please check regularly that the rollers of the drive units are free of any dirt, or debris that may have been picked up from the road.

Regularly clean the drive units with a water hose to dissolve mud etc.

Please check regularly the distance between the rollers and the tyres. In the neutral (fully disengaged) position this must be about 20mm.

Once a year have your caravan manoeuvring system maintained and visually inspected. This inspection must include all the bolt/nut connections, the cables and electrical connections and lubrication of movable parts/joints.



In case of any failure or problem, please contact your remove supplier.

TROUBLE SHOOTING

Should your manoeuvring system fail to operate, please check the following:

Unit fails to operate, does not function at all:

Make sure that the battery power isolation switch (29) is turned on.

Check the cable-connection between the caravan battery and the control unit.

Check the fuse (80A) in the red positive battery cable (Fig. 6). If the fuse is blown, it must be replaced with a fuse of the same value (80A). Never "bridge" the fuse (if needed contact your remove supplier). To replace the fuse, first disconnect the positive (+) power cable from the battery. Then release the mounting screws that hold the fuse (Fig. 6A), replace the fuse (Fig. 6B), and finally tighten the screws securely. Close the housing of the fuse and connect the positive (+) power cable again to the battery. The system is ready again for use.

Check the battery of the remote control handset. If empty, renew the 9V battery.

Caravan battery could be empty. If empty, recharge completely or renew caravan battery before taking any further action.

Caravan battery could be overloaded. Check your charging equipment and try to discharge the battery by connecting/using a light or any other load. If this does not give any result, renew caravan battery before taking any further action.

Check the distance between the remote control and the caravan is not more than 5 metres. If there is no signal between the remote control handset and the control unit, the manoeuvring system will not function at all and the green LED on handset is blinking.

Check if there is any distortion signal (other transmitter, high power cables, Wifi etc.) that disturbs a good communication between remote control handset and control unit. If there is no good communication between the control unit and remote control handset, the manoeuvring system will not function and the green LED on remote control handset is blinking.

In general, all error messages will reset automatically after one minute. If this is not the case, reset the electronics of the manoeuvring system by switching off the manoeuvring system via the isolation switch and the remote control handset for at least 15 seconds and then turn them on again.

Unit fails to operate or moves intermittently:

Check the battery of the remote control. If empty, renew the 9V battery.

Caravan battery could be empty. If empty, recharge completely or renew caravan battery before taking any further action.

Caravan battery could be low - with the rollers engaged. Check the voltage drop on the caravan battery, if this drops well below 10 volts, charge or renew caravan battery

Caravan battery could be overloaded. Check your charging equipment and try to discharge the battery by connecting/using a light or other load. If this does not give any result, renew caravan battery before taking any further action.

Check the cable-connection between the caravan battery and the control unit.

Badly connected or corroded battery terminals can cause intermittent problems, check battery terminals, clean and connect again.

Check the distance between the remote control and the caravan is not more than 5metres. If there is no signal between the remote control handset and the control unit, the manoeuvring system will not function at all and the green LED on handset is blinking.



Check if there is any distortion signal (other transmitter, high power cables, Wifi etc.) that disturbs a good communication between remote control handset and control unit. If there is no good communication between the control unit and remote control handset, the manoeuvring system will not function and the green LED on remote control handset is blinking.

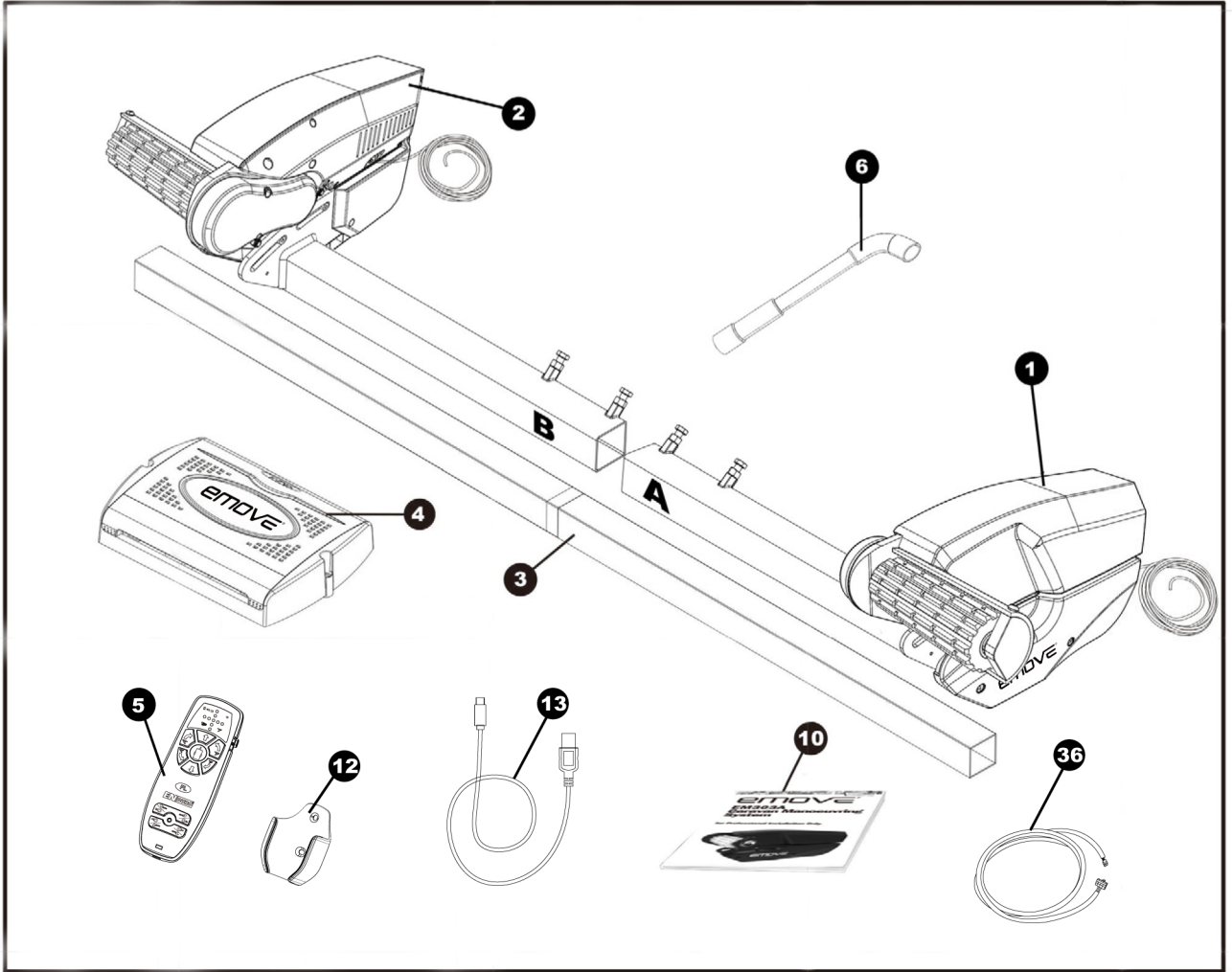
In general, all error messages will reset automatically after one minute. If this is not the case, reset the electronics of the manoeuvring system by switching off the manoeuvring system via the isolation switch and the remote control handset for at least 15 seconds and then turn them on again.

Roller will not turn, spindle rotates freely:

The motor or gear is broken, please contact your remove supplier.

In case of any doubt, please call your remove supplier.

Package Contents



<p>7</p>	<p>8</p> <p>16</p>	<p>9</p>	<p>11</p>	<p>14</p>
<p>15</p>	<p>17</p> <p>18</p>	<p>22</p> <p>23</p>	<p>24</p> <p>34</p>	<p>20</p> <p>21</p>
<p>25</p> <p>26</p>	<p>28</p>	<p>29</p> <p>33</p>	<p>30</p>	<p>19</p> <p>35</p>

Parts Identification & Fitting Diagrams

Fig.1

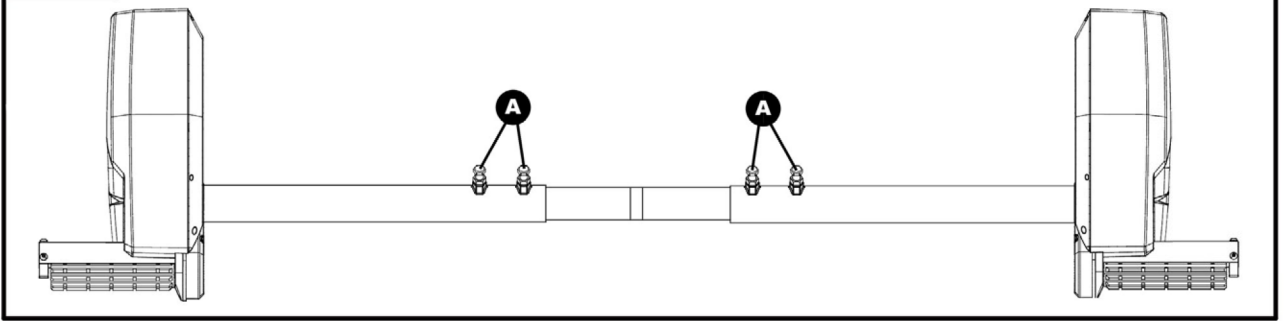


Fig.2

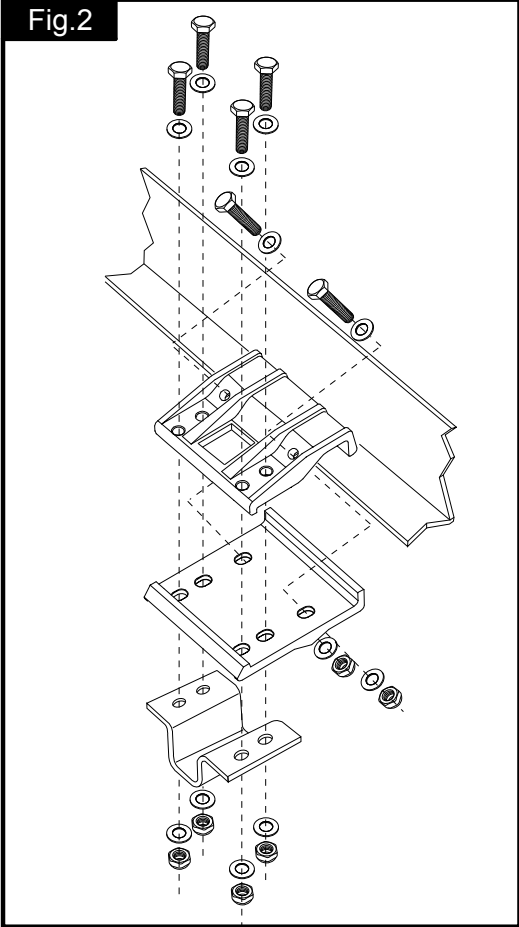


Fig.3

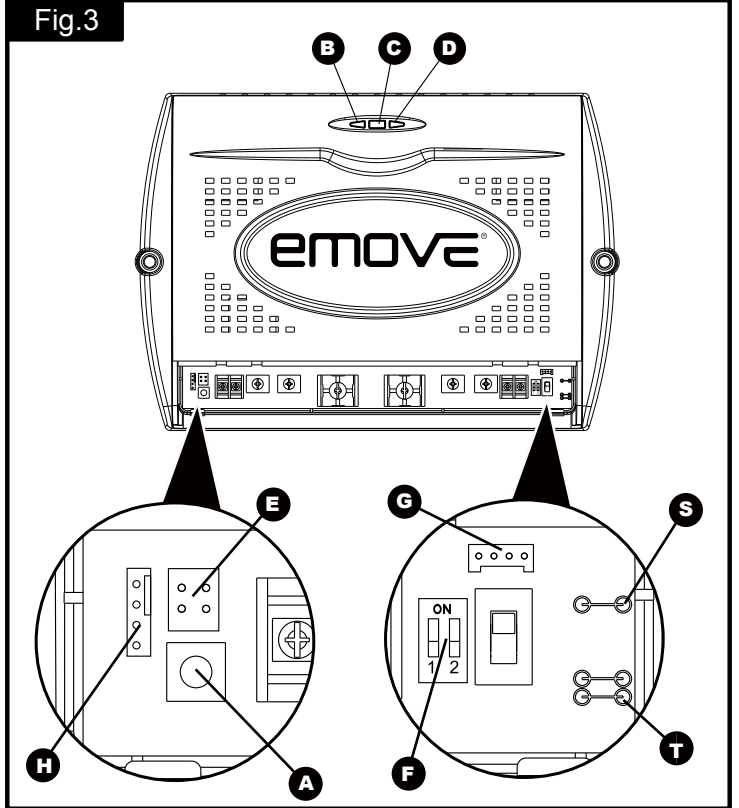


Fig.4

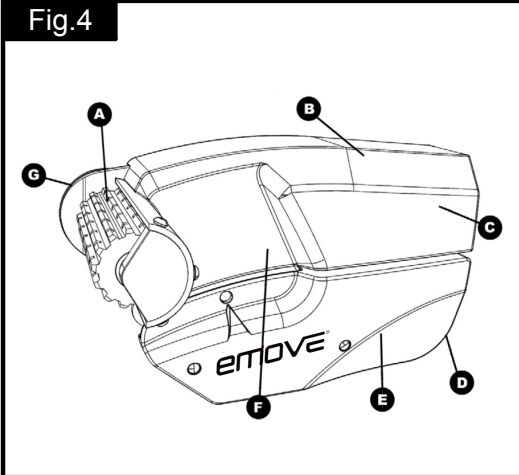
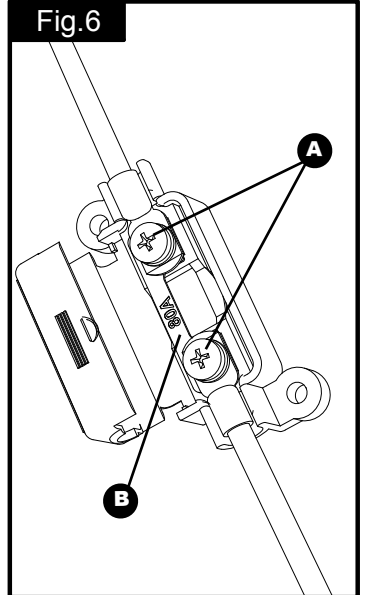


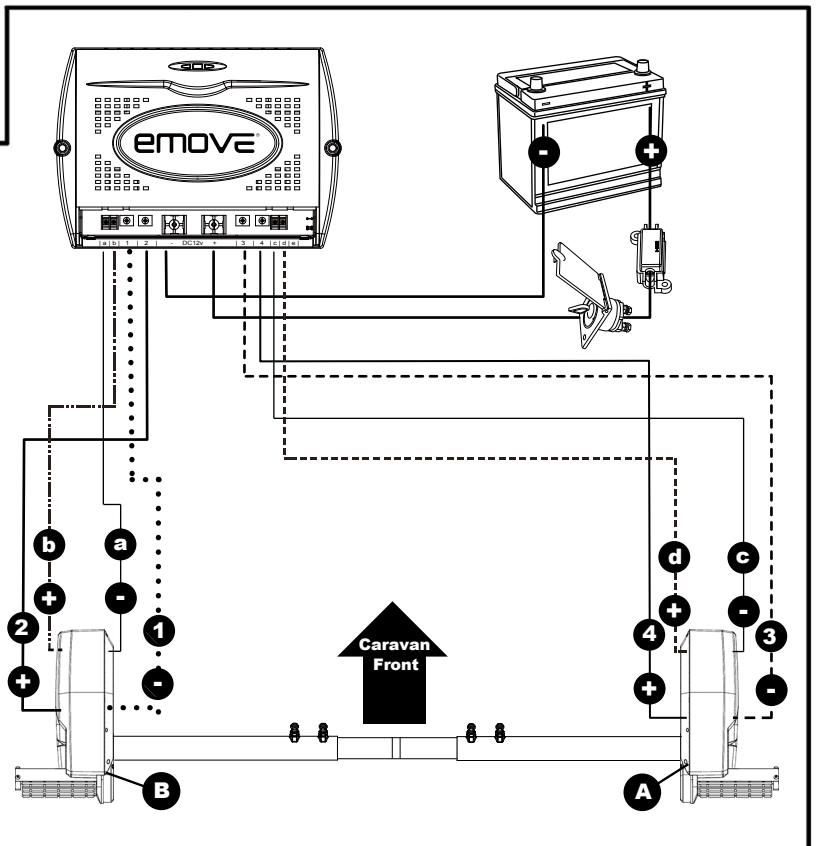
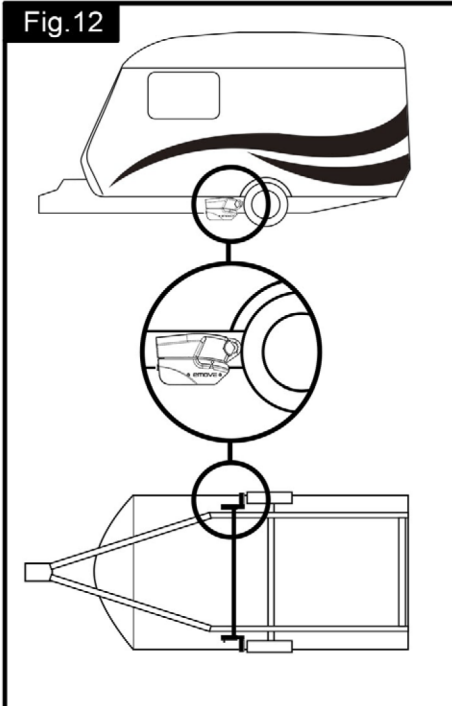
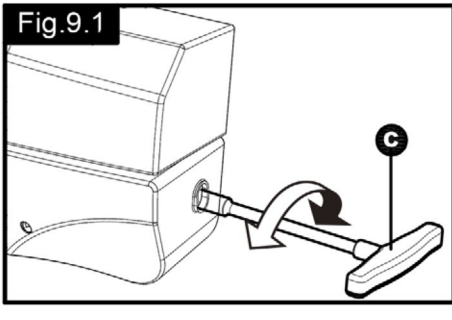
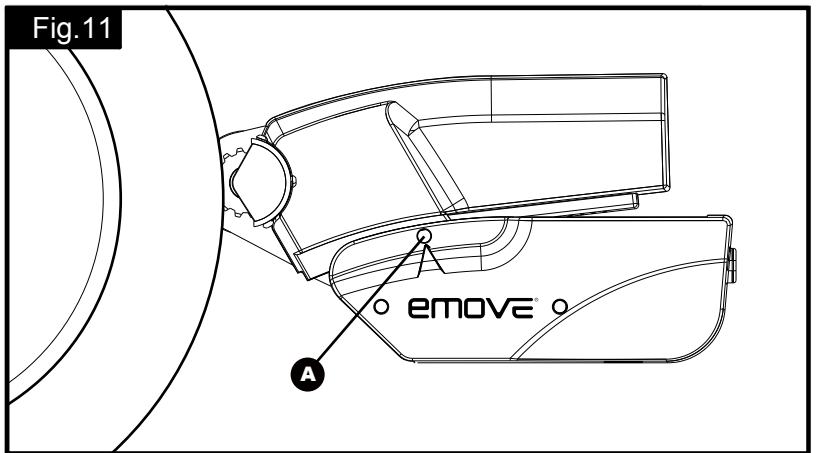
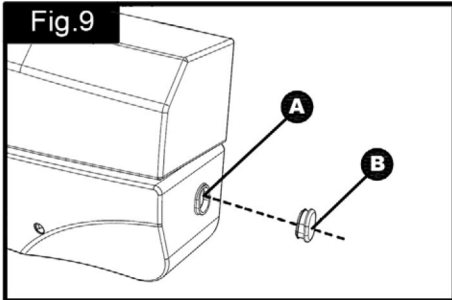
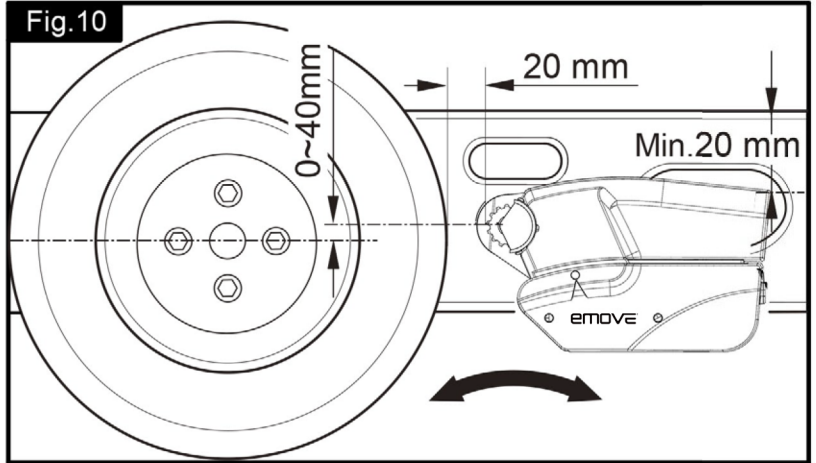
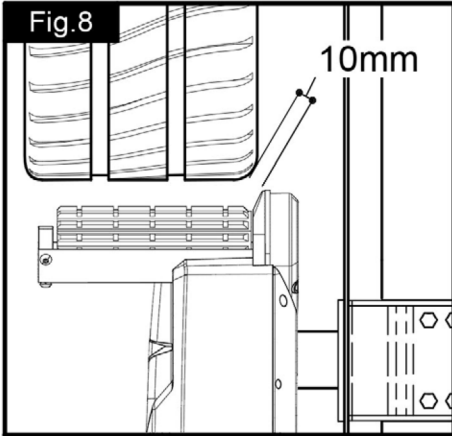
Fig.5



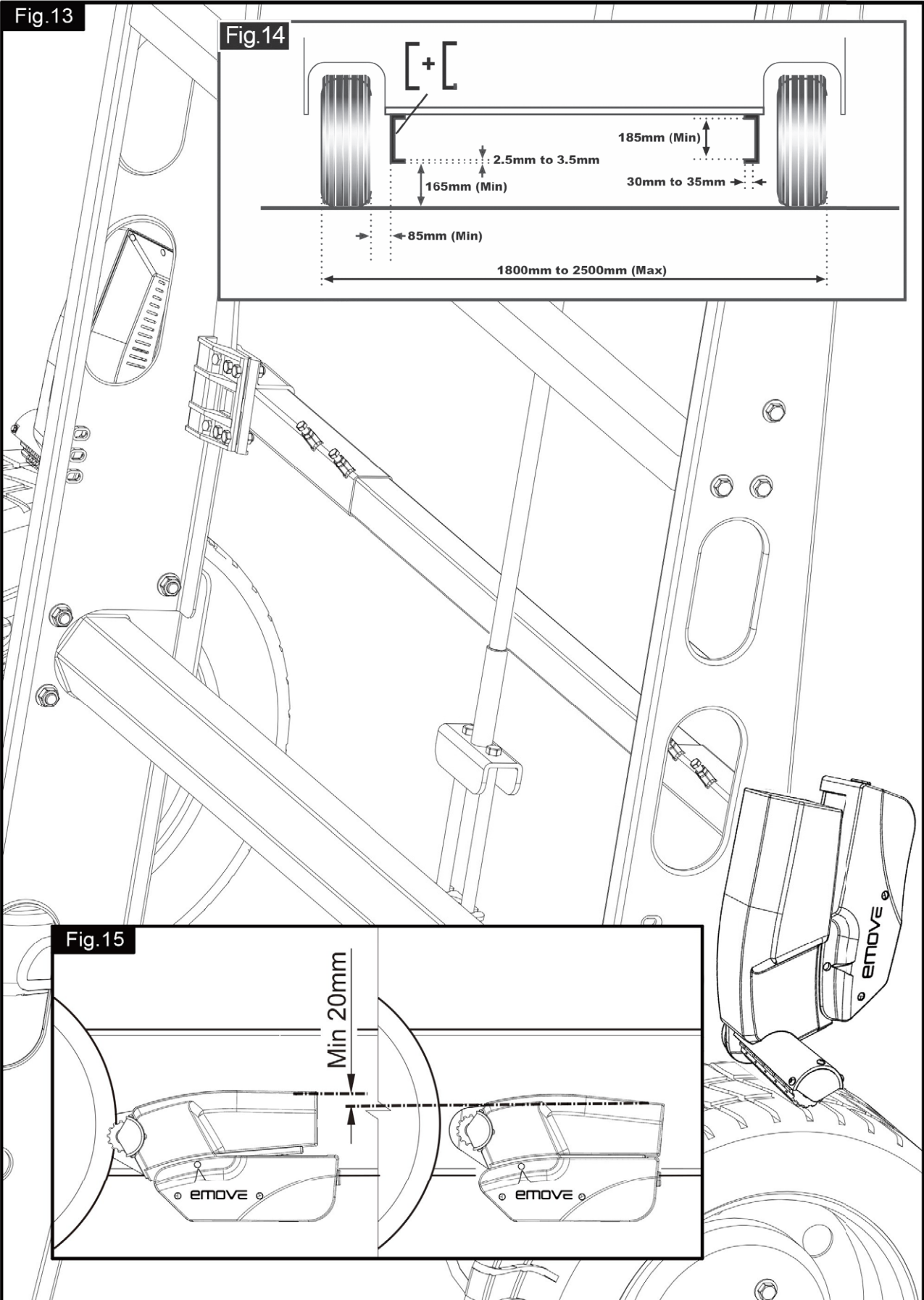
Fig.6



Parts Identification & Fitting Diagrams

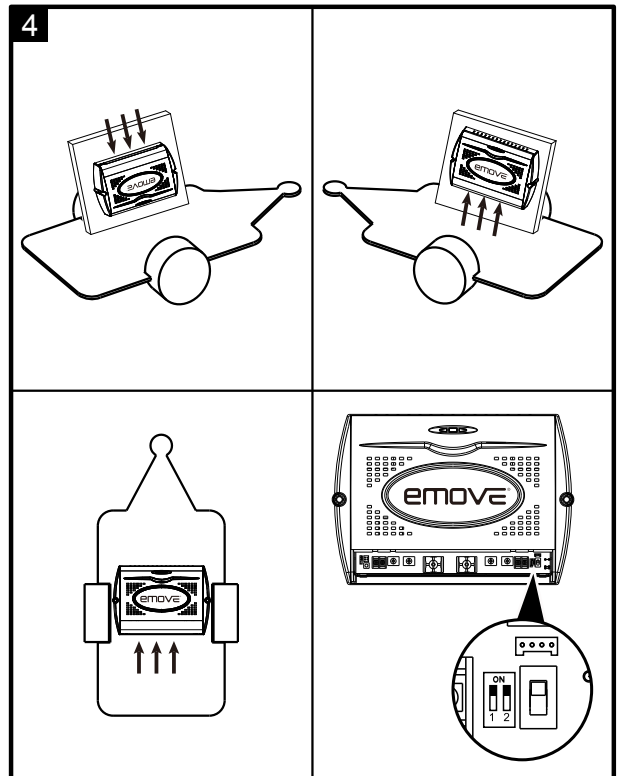
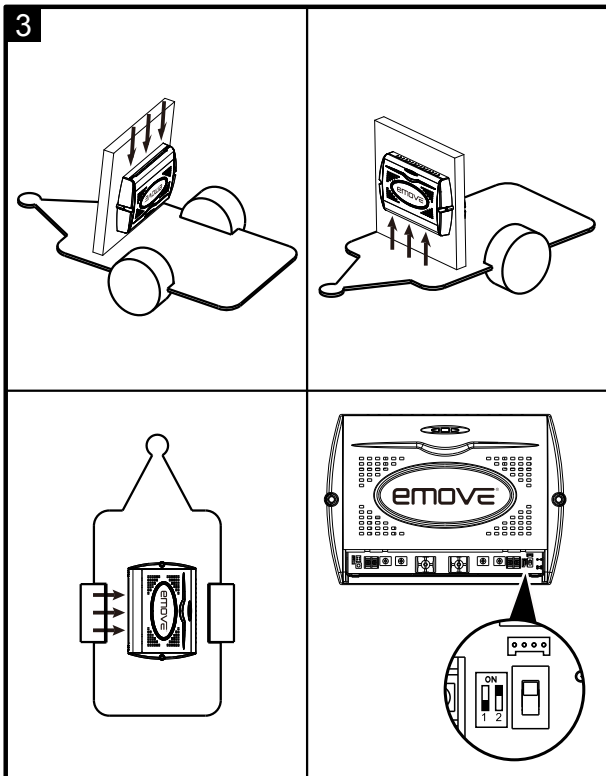
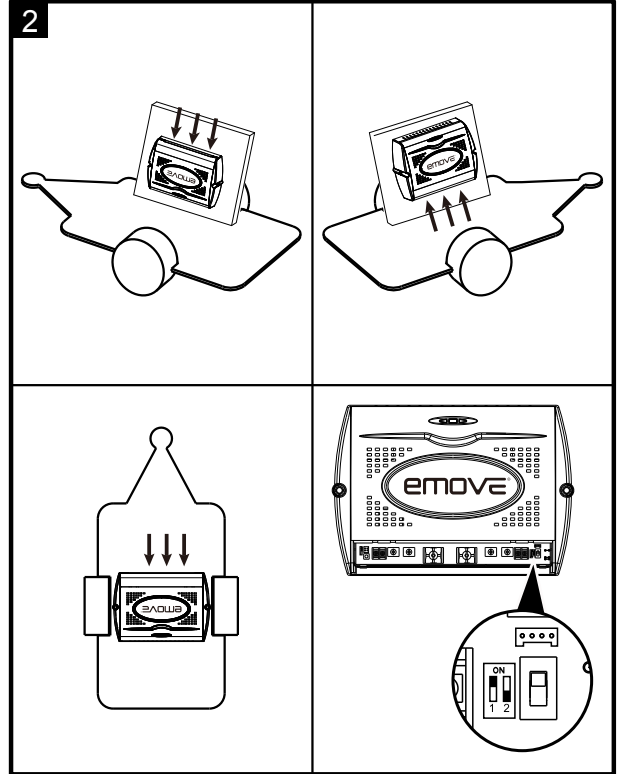
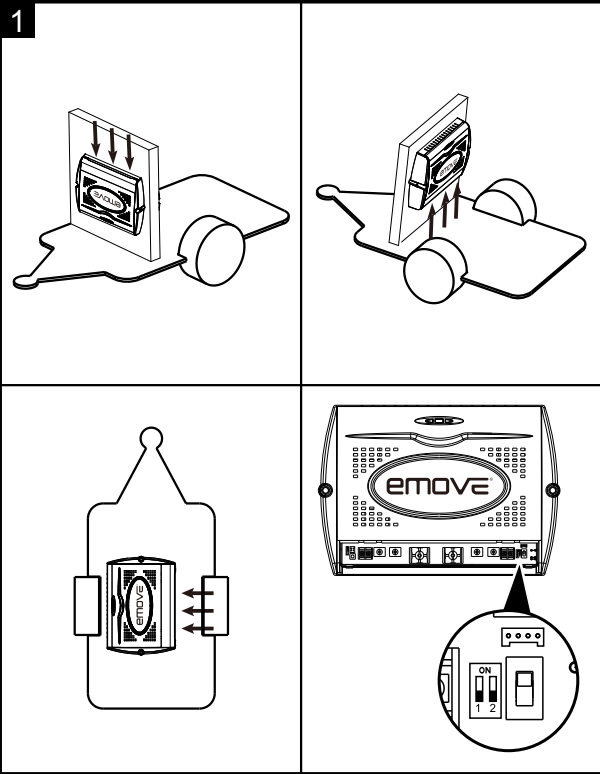


Parts Identification & Fitting Diagrams



Parts Identification & Fitting Diagrams

Fig.16



Parts Identification & Fitting Diagrams

Fig.17

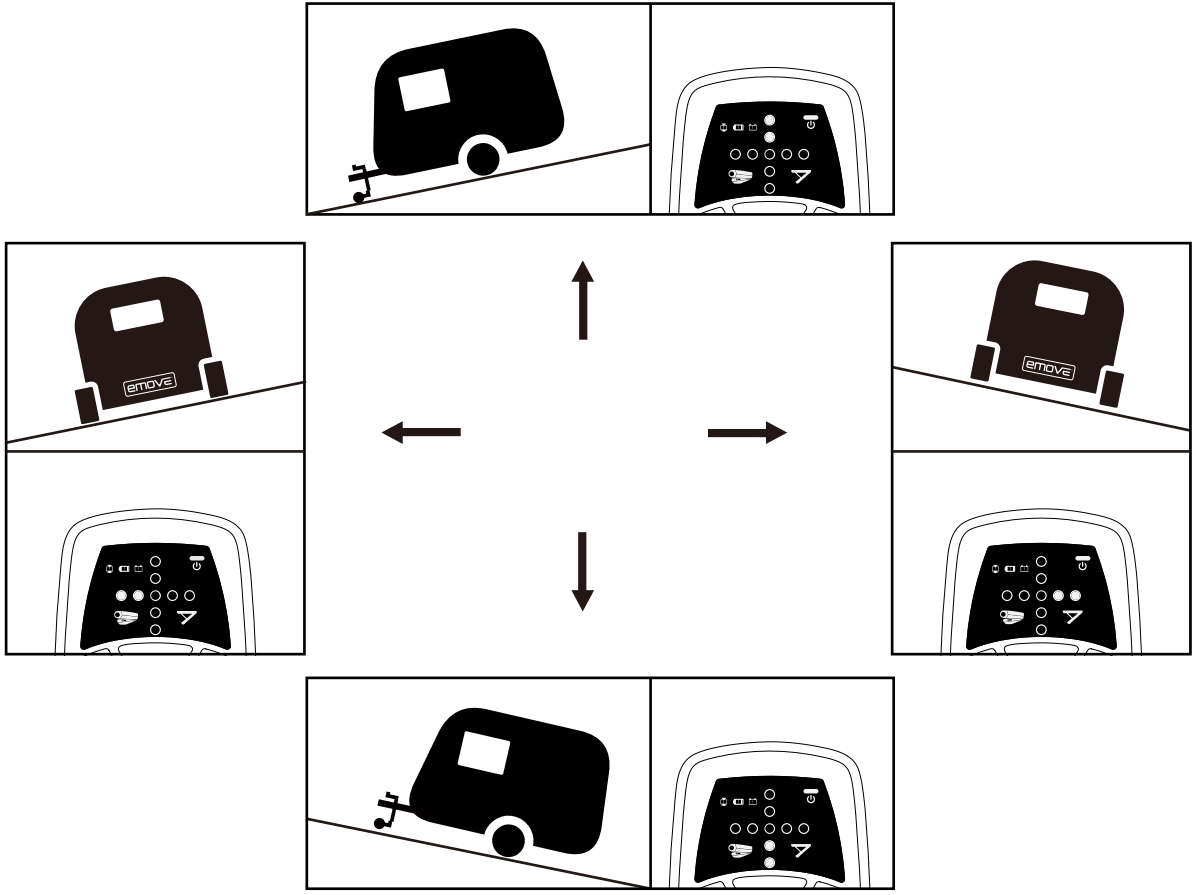
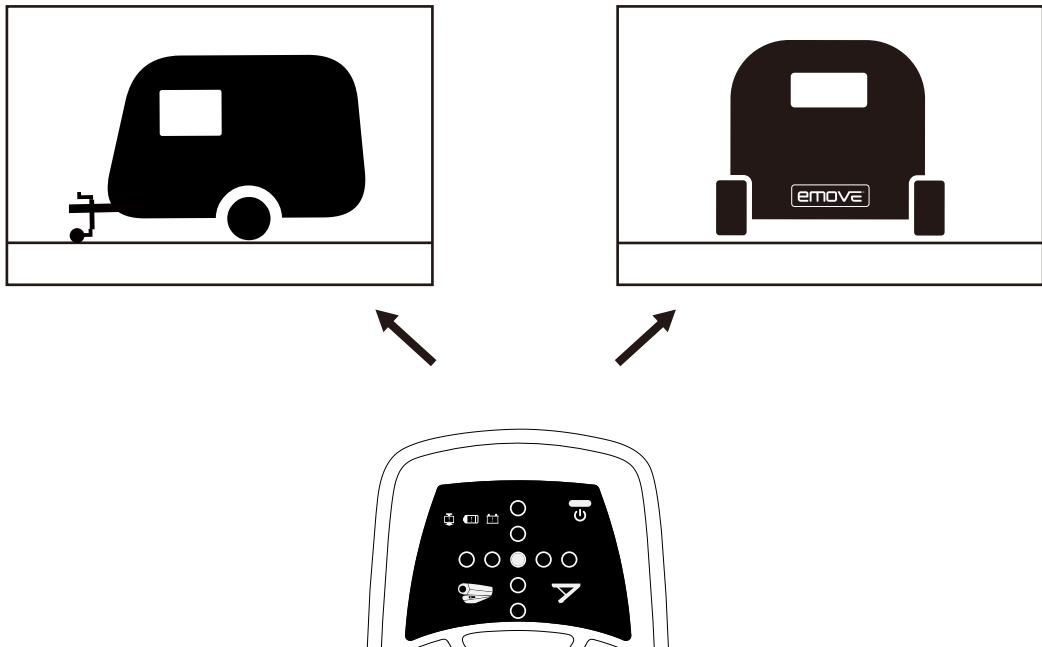


Fig.18



Parts Identification & Fitting Diagrams

Fig.19



Fig.20

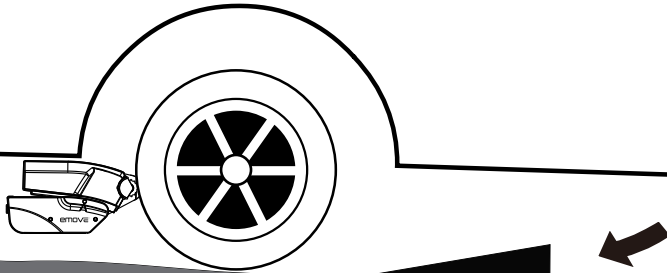


Fig.21

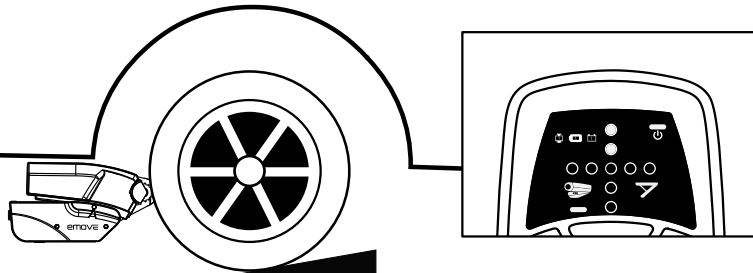


Fig.22

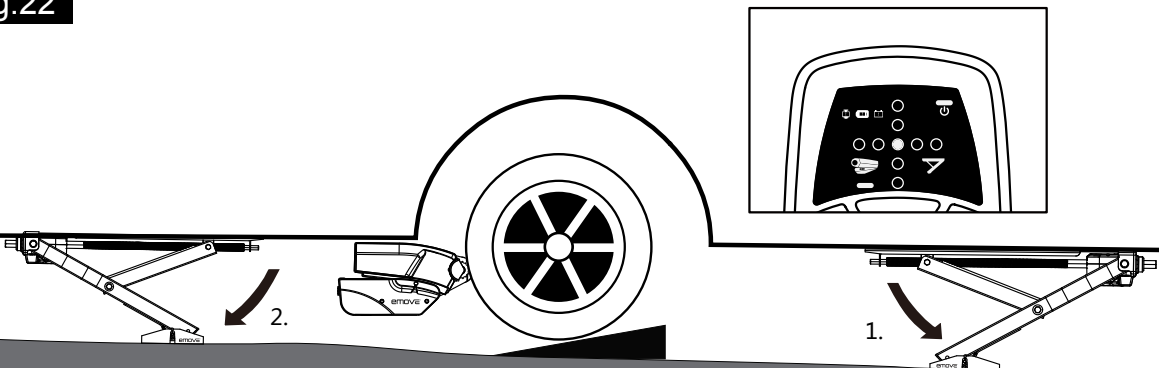
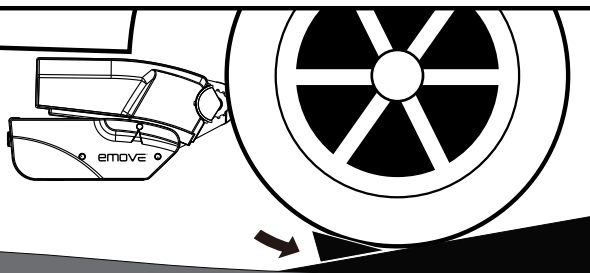


Fig.23





Five Year Warranty

Your emove caravan mover is covered by a five years' parts and labour warranty (when registered).

You are covered against reasonable use of your caravan mover for the period of five years. It does not cover against misuse or accidental damage of the e caravan mover. It does not cover against issues caused by the ill-fitting of the emove caravan mover. It does not cover against the fitting of the mover, when carried out by non-authorized fitter/dealer or fitted DIY. You are not covered by the warranty if the mover has been bought second-hand or from a non-authorized dealer or the mover has been transferred to another caravan. Any modification made to your caravan mover or non-use of emove authorised spare parts will make your warranty null and void. Any non-use of maker's instructions when fitting or using the emove caravan mover will make your warranty null and void. The emove caravan mover is a leisure product and your warranty does not cover you for commercial or industrial use. emove reserves the right to make a call out charge if faced with an issue outside the control of the company (such as faults with leisure battery, misuse of the mover, accidental damage, or unauthorised modification etc.).

WARRANTY: The 12 month warranty on this product will need to be activated within 30 days of purchase, please go to our web site and click on the "Warranty" link and enter your details on the warranty screen. www.streetwizeaccessories.com.

Important! Retain this manual for future reference! Please forward this manual to the new owner when you sell the manoeuvring system!

The Ace Supply Co. Ltd. T/A

Leisurewize Accessories

Unit 1, Royce Trading Est, Ashburton Road West, Trafford Park, Manchester, M17 1RY, United Kingdom

Telephone: +44 (0)161 447 8580 Fax: +44 (0)161 764 2780

E-mail: sales@streetwizeaccessories.com www.streetwizeaccessories.com