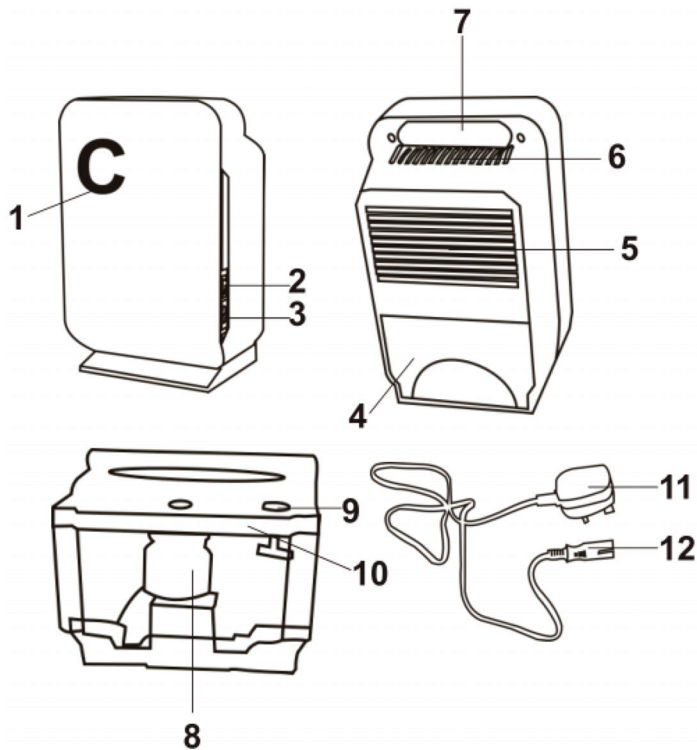




LW573

Compact Dehumidifier



- | | |
|-------------------------|-----------------------------|
| 1) LED indicator | 7) Handle |
| 2) On / Off button | 8) Hydraulic Cut- off |
| 3) AC power socket | 9) Water displacement hole |
| 4) Removable water tank | 10) Water tank |
| 5) Air outlet | 11) AC plug with power cord |
| 6) Air inlet | 12) AC connector |

Please READ & UNDERSTAND the instructions carefully before operating this device, and retain for future reference.



SPECIFICATIONS

| | |
|-----------------------|---|
| Capacity: | Approximately 400ml per day at 25°C, 85% RH (Relative Humidity) |
| Cooling element: | Thermo-electric Peltier module |
| Fan: | 90mm×90mm DC FAN |
| Voltage: | 200-240V |
| Power: | 48 W |
| Removable water tank: | 1.3L |
| Water Level Detector: | Automatic switch off with "Red" LED Indicator when water tank is full |
| Product dimension: | 183mm (W) × 288mm (H) × 129mm (D) |
| Working environment: | Over 15°C, over 40% RH |

CONNECTION

- After removing the packaging materials, there should be 2 items:
 - Compact Dehumidifier
 - 200-240V AC fused plug.
- Plug the AC Connector (12) into the side power jack (3), then connect the 200-240V AC plug (11) in to an appropriate mains socket.

REMOVABLE WATER TANK

When the water tank is full, with approximately 1.3L of water collected, the unit will be switched off automatically and the "Red" LED (1) will be on.

To remove the water tank (10), first switch off the compact dehumidifier using switch (2). Then, remove the water tank from the unit and pour the water out, through the water displacement hole (9). Return the water tank back to the unit. To continue dehumidifying, press the ON the switch (2).

CLEANING

Before cleaning the unit, turn off the compact dehumidifier, unplug the 200-240V AC plug from the main socket. Use a piece of soft cloth to clean the surface of the product or use a brush to wipe the dust off the grills of the air inlet.

CAUTIONS

- After using the compact dehumidifier, the user should switch the unit off, unplug and store in a dry place.
- When using the compact dehumidifier, always keep the front inlet grill and the top outlet free from air blocking materials such as clothing, plastic bag or papers & magazines.
- Always place the unit in an up-right stable position to avoid water leakage when in use.

WARRANTY: The 12 month warranty on this product will need to be activated within 30 days of purchase, please go to our web site and click on the "Warranty" link and enter purchase details on the warranty screen. www.streetwizeaccessories.com.

Streetwize Accessories:

Unit 1, Royce Trading Estate, Ashburton Road West,
Trafford Park, Manchester M17 1RY

Sales enquiries: sales@streetwizeaccessories.com

Technical enquiries: support@streetwizeaccessories.com

Telephone: 0161 447 8597

www.streetwizeaccessories.com

