



LWACC421

#### Technical support

If you require any technical support, please contact us on [support@streetwizeaccessories.com](mailto:support@streetwizeaccessories.com) and provide the product name and supplier code (see Technical Specifications) along with the technical query.

#### Manufacturer's Warranty

This product comes with a 12 month manufacturer warranty which starts on the date of purchase. The warranty covers technical faults during the 12 month period. Any issues caused by accidental damage or wear and tear is not covered by this 12 month manufacturer warranty.

**For any warranty queries, please contact the retailer where you purchased the product.**

# PortawashPLUS

## Portable Twin Drum Wash/Spin Washing Machine



#### Streetwize Accessories:

Unit 1, Royce Trading Estate, Ashburton Road West,  
Trafford Park, Manchester M17 1RY

**Sales enquiries:** [sales@streetwizeaccessories.com](mailto:sales@streetwizeaccessories.com)

**Technical enquiries:** [support@streetwizeaccessories.com](mailto:support@streetwizeaccessories.com)

**Telephone:** 0161 447 8597

[www.streetwizeaccessories.com](http://www.streetwizeaccessories.com)

**Please read these instructions carefully before operating this washing machine, and retain for future reference.**



<b>Intention For Use</b>	<b>2</b>
<b>Package Contents</b>	<b>3</b>
<b>Product Elements</b>	<b>3</b>
<b>How to Set Up the Leisurewize PortawashPLUS</b>	<b>4</b>
<b>Wash Settings</b>	<b>4</b>
<b>How to Use the Leisurewize PortawashPlus</b>	<b>5</b>
1. Wash	5
2. Spin	5
3. Rinse	5
<b>Maintenance</b>	<b>6</b>
<b>Troubleshooting</b>	<b>6</b>
<b>Health and Safety</b>	<b>7</b>
<b>Technical Specification</b>	<b>8</b>
<b>Manufacturer's Warranty</b>	<b>8</b>

#### **Intention For Use:**

Thank you for purchasing the PortawashPlus from Leisurewize. This portable twin tub washing machine is intended for use by caravan, motorhome & camping holidaymakers.

Compared to most conventional twin-tub washing machines, the Leisurewize PortawashPlus has been specially designed to be much lighter and compact, in order to save space and be easier to move.

This washing machine comes with an innovative water flow inlet and large wave pulsator in the wash drum that helps to reduce the amount of twisting clothes will go through during the wash and provide a more effective laundry wash, all while saving on the amount of time, water and labour required.

It also features two wash settings (Gentle/Normal) and can provide up to 15 minutes wash time and up to 5 minutes spin time.

The PortawashPlus is also easy to maneuver thanks to its ergonomic designed handles.

The Leisurewize PortawashPlus can also act as a spare washing machine in your household, providing that there is a suitable water inlet and outlet.

**Attention: Do not use the Leisurewize PortawashPlus for purposes other than its intended use**

Before using the Leisurewize PortawashPlus, we highly advise that you read all the information in this document.

#### **Health and Safety**

**Warning: Please read the health and safety guidelines below and make sure you familiarise with these guidelines before using the product.**

- Keep washing detergent away from young children
- This washing machine is not to be used by young children and they should be kept away when the washing machine is in use.
- Never put your hands in the spin drum when it is operating
- Never wash textiles which contain volatile materials to avoid damage to the product or cause a blockage.
- The washing temperature should never exceed 50°C. Never pour water above 50°C into the wash drum. This would risk damaging the plastic components of the washing machine.
- If you hear any abnormal sounds during the wash/spin, please stop and turn off the washing machine at the mains power supply to inspect the cause. The same applies for any abnormal movements.
- Never place the washing machine near items that generate heat such as cooking appliances or heaters.
- Never place the washing machine outdoors or in a damp area such as the bathroom.
- Do not put heavy objects on top of the washing machine.

#### **Technical Specification**

<b>Product name</b>	Leisurewize PortawashPlus
<b>Supplier code</b>	LWACC421
<b>Wash capacity</b>	3.5Kg
<b>Spin capacity</b>	2.5Kg
<b>Washing power</b>	280W
<b>Spin power</b>	140W
<b>Size</b>	595 x 360 x 680mm
<b>Washing noise level</b>	<69dB
<b>Spinning noise level</b>	<61dB
<b>Net weight</b>	12.5kg
<b>Rated voltage</b>	220V
<b>Rated frequency</b>	50Hz

### Maintenance

The Leisurewize PortawashPlus has been designed for long life. However, to ensure you get the best use of this portable twin washing machine, we advise that you follow the maintenance guidelines below.

1. When you have finished using Leisurewize PortawashPlus, disconnect or switch off the mains power supply.
2. When cleaning the Leisurewize PortawashPLUS, use a soft cloth along with an appropriate disinfectant or cleaning solution.
3. Do not put heavy objects on top of the washing machine.

### Troubleshooting:

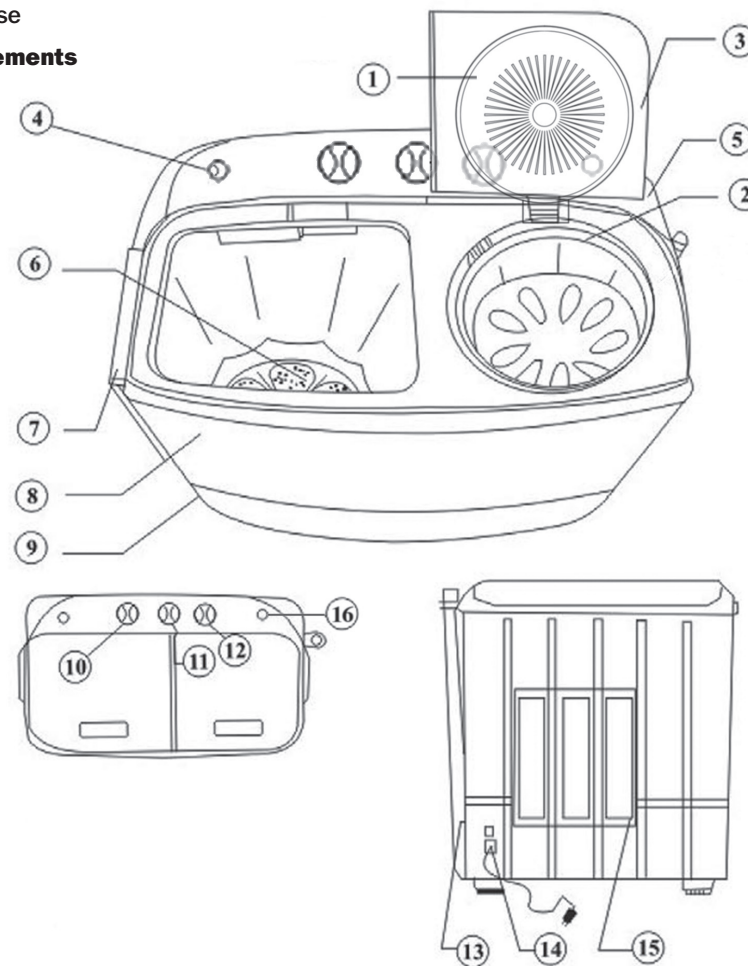
**Attention:** When there is a troubleshooting issue, we advise that you keep in mind of the health & safety guidelines in this manual. Most of the troubleshooting issues can be rectified by yourself. For any troubleshooting issues which are quite technical and require you to remove/replace any of the parts, please seek assistance from a competent professional.

TROUBLE	REASON	SOLUTION
<b>Pulsator is working slow.</b>	Cut power or switch off machine.	Switch on the power.
	Transmission belt left off.	Assemble the transmission belt.
	Belt pulley is loose.	Tighten the belt.
	Pulsator blocked.	Remove the blockage.
<b>The pulsator does not rotate.</b>	Belt is loose.	Tighten or renew belt.
	The clothes in the spin dry tub is loose.	Tighten the belt and screw.
<b>Abnormal noise and vibration.</b>	The clothes in the spin dry tub are unbalanced.	Replace clothes in the tub.
	There is something jammed between pulsator and tub.	Remove the jammed item(s).
<b>Water leaks from the wash tub.</b>	Wash tub not connected tightly to the hose.	Reconnect and tighten hose.
<b>Spin dry basket does not rotate.</b>	The switch is in loose contact.	Adjust the contactor or the switch.
	The fixed screw of spin dry basket or shaft coupling is loose.	Tighten the screw.
	The shaft of the spin dry basket is entwined by the textile.	Remove the textile.
	Brake dragline is loose.	Tighten the dragline.
<b>The spin tub does not drain.</b>	Something has dropped into the space between spin tub and spin dry.	Remove the object.

### Package Contents

Leisurewize PortawashPlus  
1 x water inlet hose  
1 x drain hose

### Product Elements



- 1** Built-in Spin cap
- 2** Spin drum
- 3** Spin cover
- 4** Water inlet
- 5** Control panel
- 6** Wash drum

- 7** Wash cover
- 8** Front cover
- 9** Base
- 10** Wash timer knob
- 11** Wash & drain selector knob
- 12** Spin timer knob

- 13** Drain hose
- 14** Power cord
- 15** Back cover
- 16** Water Inlet



## How to Set Up the Leisurewize PortawashPlus

### Preparation

To set up the Leisurewize PortawashPlus, please follow the instructions below:

1. First, remove the Leisurewize PortawashPlus out of its packaging and dispose of the packaging in the correct manner.
2. Position the PortawashPlus, using the ergonomic handles on the side, on a flat surface/ground and make sure it is located near your water source and drainage.
3. Then, use the provided water inlet hose and connect it to the inlet (4) of the washer on the PortawashPlus. Once in place, connect the other end of the water inlet hose to the water tap. Please ensure the water tap is switched off when connecting the hose.

**Attention: When connecting the inlet hose to the water tap, you may need an adaptor (not included) to ensure a secure fit.**

Connect the PortwashPlus to a 230V mains power supply.

### Wash Settings

The Leisurewize PortawashPlus has two wash settings that can be found in the wash selector/drain knob. See table below.

Wash setting	Suitable fabrics
Gentle	Polyester or acetate synthetics (i.e. sports wear), and other lightweight fabrics
Normal	Cotton, denim & polyester

## How to Use the Leisurewize PortawashPlus

To set up the Leisurewize PortawashPlus, please follow the instructions below:

### Attention

**When turning or setting both timer knobs (wash timer & spin timer) on the Leisurewize PortawashPlus, please make sure you always turn it clockwise.**

### 1. Wash

Please see the instructions below on how to use the Leisurewize PortawashPlus for washing clothes.

1. Fill the wash drum (6) with water to an appropriate level. This will depend on the type of clothing and its weight.
2. Select which wash setting you want to use, using the wash & drain selector knob. See table under Wash Settings.
3. Place the clothes into the wash drum (6). Adjust the water level as required. To adjust the water level (if necessary), turn the wash selector/drain knob (11) to drain the water. To stop the drain, position the knob back to your chosen wash setting.
4. Add the appropriate amount of wash detergent.
5. Close the lid.
6. Once everything is set, you're ready to start the wash. To start the wash, set the timer on the wash timer knob (10) and the wash will start.
7. When the wash has finished, turn the wash selector/drain knob (11) to drain all the water from the wash drum. Please note, when turning the knob to drain, please apply extra force.

### 2. Rinse

1. If necessary, wring the clothes out (to remove excess detergent).
2. Fill the wash drum to an appropriate level with clean water as before.
3. Repeat the wash process, but WITHOUT any detergent. This will rinse any remaining detergent from the clothes.
4. When the rinse has finished, turn the wash selector/drain knob (11) to drain all the water from the wash drum.

### 3. Spin

1. Remove the water inlet hose from the washer inlet (4).
2. Transfer all the clothes from the wash drum (6) to the spin drum (2), if necessary wring the cloths again to remove excess water. Ensure you place the removeable spin cap (1) on top of the clothes.
3. Set the spin timer to a suitable length of time to start the timer.
4. Repeat the rinse process & spin again if necessary.